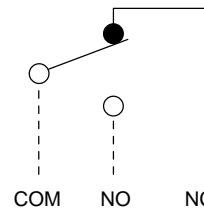
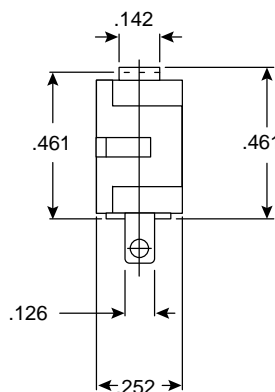
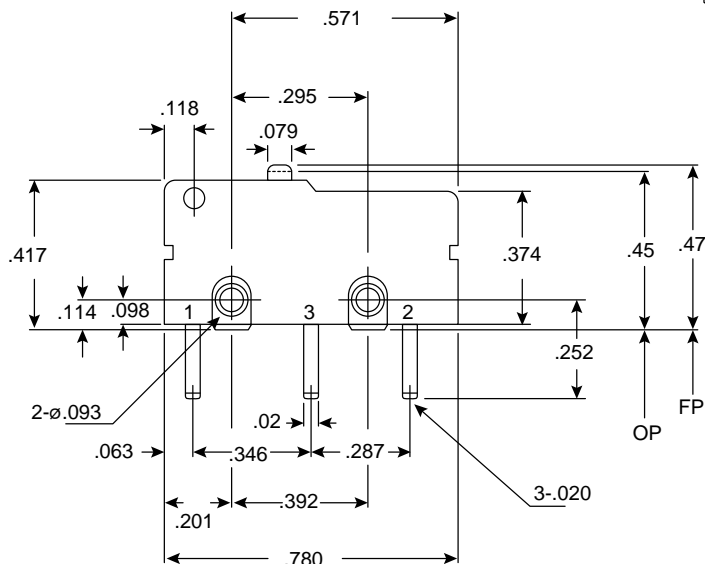
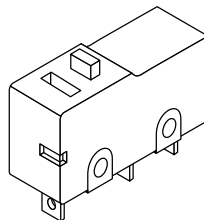




E163371



**Dimensions (In.)**

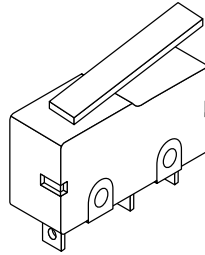
**Specifications:**

- Switching timing: non-shorting
- Rating: 5A @ 125VAC
- Insulation resistance: more than 100MΩ @ 500VDC
- Withstand voltage: 500VAC for 1 minute
- Contact resistance: less than 50mΩ
- Life cycling (no load): 1,000,000 cycles
- Life cycling (full load): 200,000 cycles
- Ambient temperature used: -25°C to +80°C
- Ambient humidity used: less than 85% RH
- Operating force: 115g ± 10g
- Travel: .020 inches

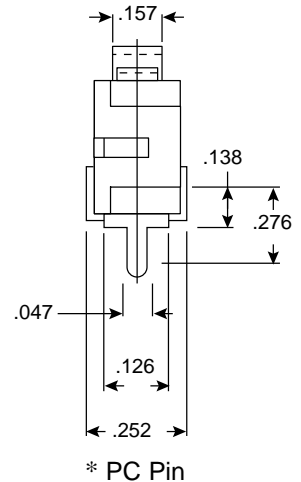
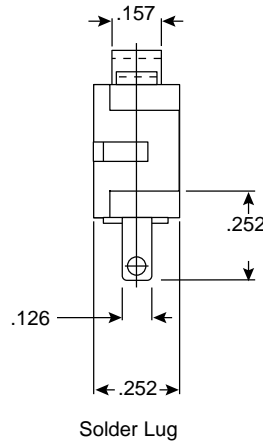
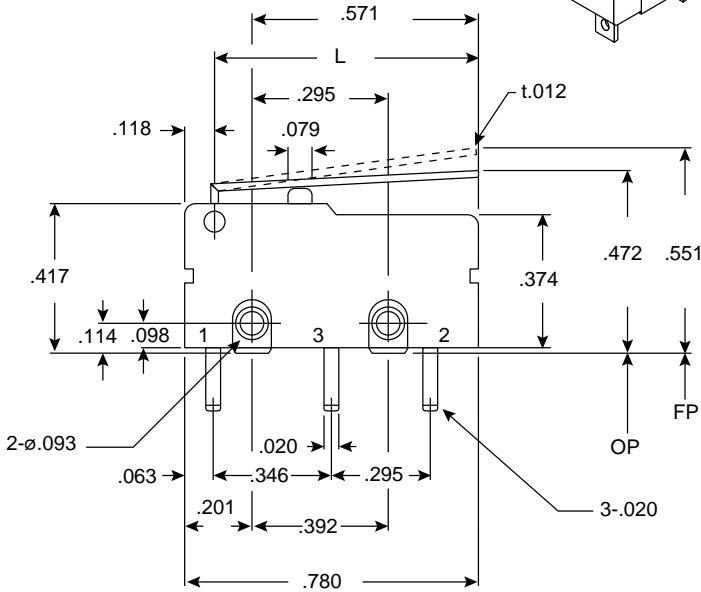
Your source for quality electronics. Toll-free full service

**(800) 346-6873**

<http://www.mouser.com>



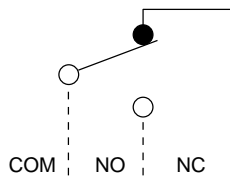
E163371



\* PC Pin

### Dimensions (In.)

OP: Operating Position  
FP: Free Position  
Pre-Travel: FP - OP



Mouser Stock No.	L (In.)	Travel (In.)
101-1201	.571	.078
101-1202	.650	.087
101-1203	.890	.125

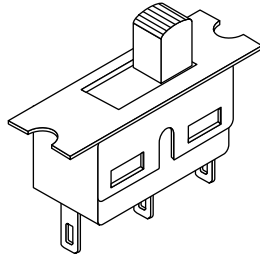
### Specifications:

- Switching timing: non-shorting
- Rating: 5A @ 125VAC
- Insulation resistance: more than 500VDC @ 100MΩ
- Withstand voltage: 500VAC for 2 minute
- Contact resistance: less than 50mΩ
- Life cycling (no load): 1,000,000 cycles
- Life cycling (full load): 200,000 cycles
- Ambient temperature used: -25°C to +80°C
- Ambient humidity used: less than 85% RH
- Operating force: 25g ± 10g

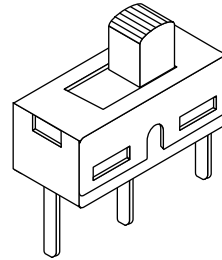
Your source for quality electronics. Toll-free full service

**(800) 346-6873**

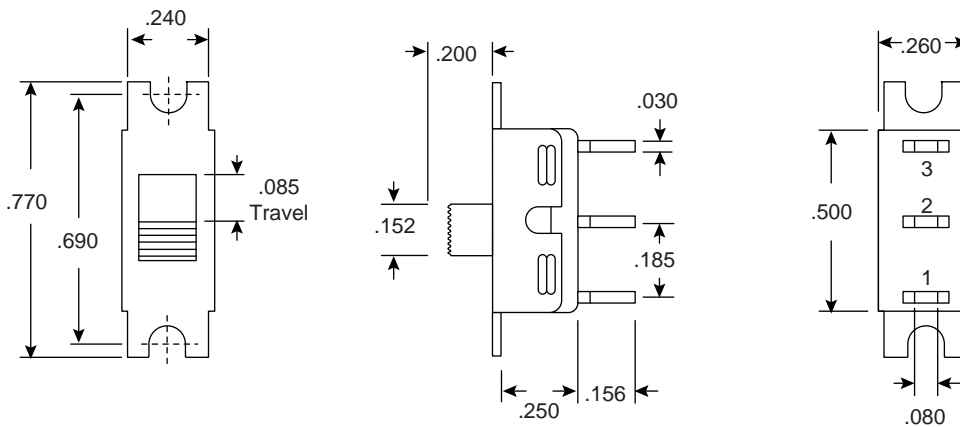
<http://www.mouser.com>



102-1211



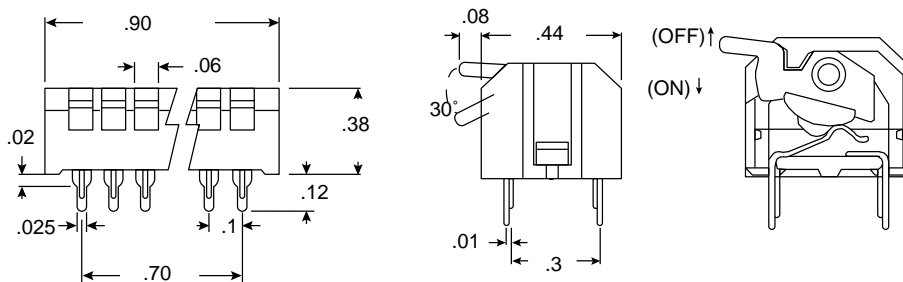
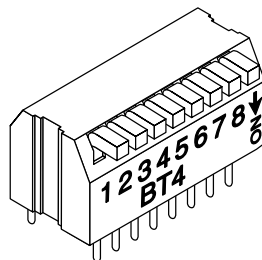
102-1221



Dimensions (In.)

**Specifications:**

- Circuit: SPDT, on-on
- Contact rating: 5A with resistive load @ 120VAC or 28VDC; 2A with resistive load @ 250VAC
- Contact resistance: 10mΩ max. initially
- Electrical life: 30,000 actuations @ full load
- Insulation resistance: 1000MΩ min.
- Dielectric strength: 1,000V RMS @ sea level
- Operating temperature: -30°C~+85°C
- Case: diallyl phthalate (DAP)
- Housing: stainless steel
- Slide handle: nylon
- Contacts: silver plated coin silver
- Center contact & terminals: silver plated brass



Dimensions (In.)

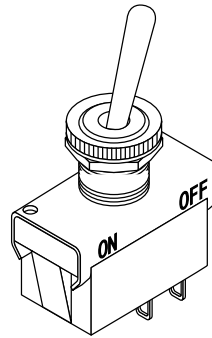
### Specifications:

- Rating: 50VDC 100mA (non-switching)  
5VDC 100mA (switching)  
25VDC 100mA (switching)
- No. of circuits: 8
- Circuit type: SPST
- Electrical life: 5,000 operations (min.) @ 5VDC, 100mA
- Contact resistance: 50M $\Omega$  (max.) -0.2mVAC, 1.5mA
- Insulation resistance: 100VDC, 100M $\Omega$  (min.)
- Voltage breakdown: 500VDC/1 minute
- Electrical life: 5,000 operations (min.) @ 5VDC, 100mA
- Electro-static capacitance: 5pf. (max.) - value between this switch and other switch which is located near-by and also value between contact and contact
- Operating temperature range: -20°C to +80°C

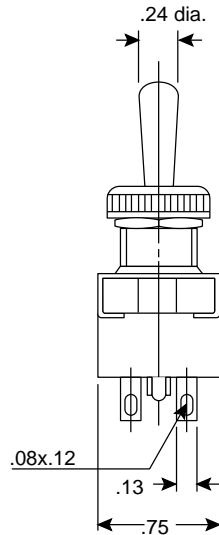
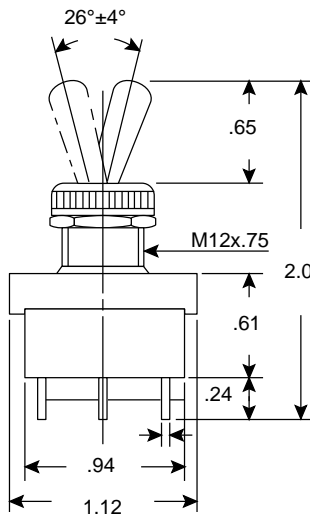
Your source for quality electronics. Toll-free full service

**(800) 346-6873**

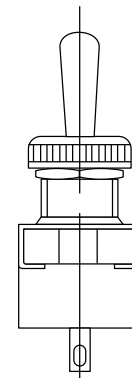
<http://www.mouser.com>



DPDT Types



SPST & SPDT Types



Dimensions (In.)

**Specifications:**

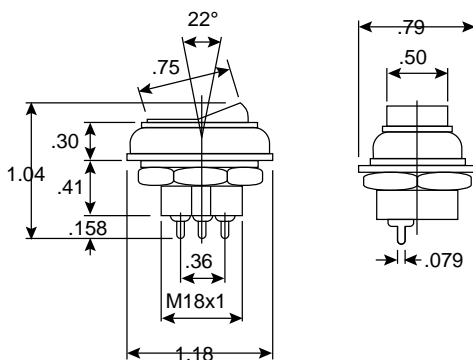
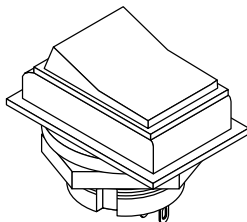
- Mounting hole dimensions: .48 inch dia.
- Rating: 6A @ 250VAC
- Contact resistance: 20mΩ (max)
- Voltage breakdown: 1500VAC for 1 minute
- Finish: nickel plated brass
- Contact resistance: 20mΩ (max)
- Insulation resistance: 500VDC @ 100MΩ (min)

Mouser Stock No.	Circuit	Terminal	Switching Function
10DS235	SPST	2P	On-Off
10DS236	SPDT	3P	On-On
10DS237	SPDT	3P	On-Off-On
10DS238	DPDT	6P	On-On
10DS239	DPDT	6P	On-Off-On

Your source for quality electronics. Toll-free full service

**(800) 346-6873**

<http://www.mouser.com>



**Dimensions (In.)**

Mouser Stock No.	Circuit Type	Circuit Function
10DS388	SPST	On-Off
10DS389	SPDT	On-On
10DS390	DPDT	On-On

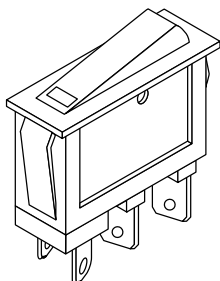
**Specifications:**

- AC rating: 6A @ 125VAC
- Contact resistance: 1A @ 2.5VDC 20mΩ or less
- Insulation resistance: 500VDC 100MΩ or more
- Voltage breakdown: 1000VAC for 1 minute
- Mounting center: .71 inch
- White button with black frame
- Weight: .289 oz.
- Electrical life: 10,000
- Mechanical life: 30,000

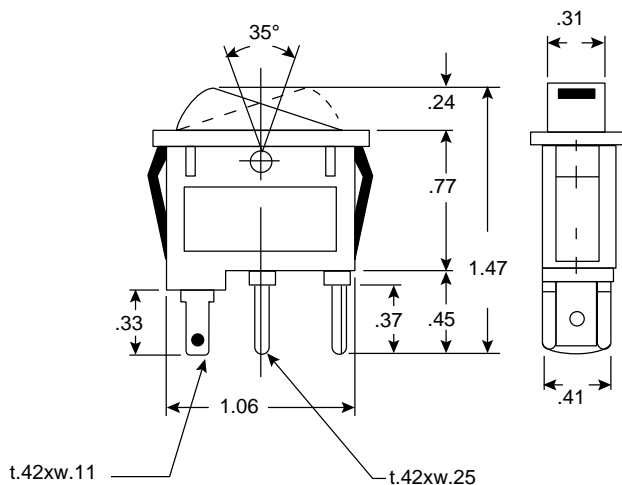
Your source for quality electronics. Toll-free full service

**(800) 346-6873**

<http://www.mouser.com>



(with LED)



### Dimensions (In.)

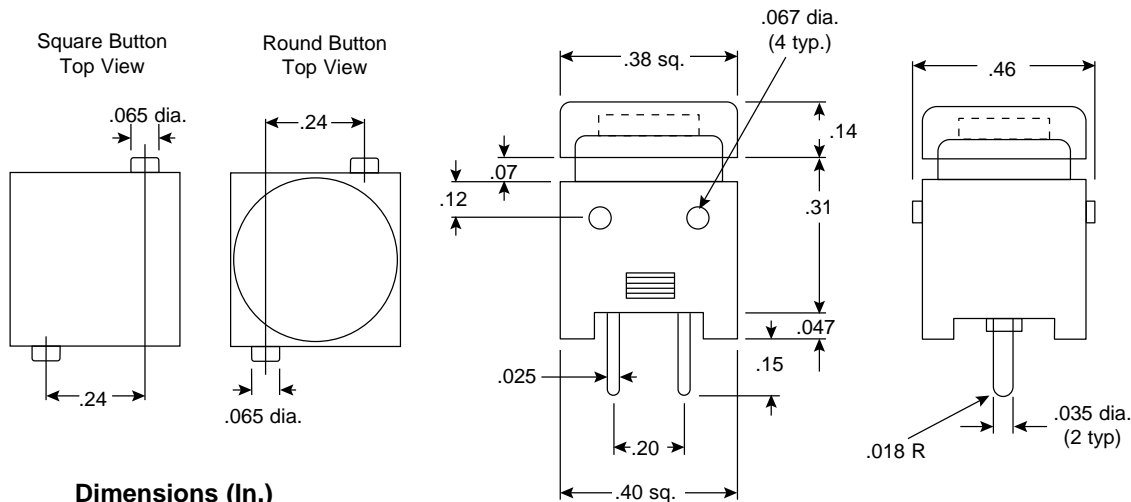
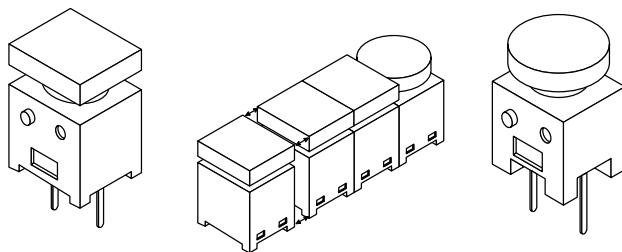
#### Specifications:

- Rating: 10A @ 125VAC
- Circuit: 2P (SPST)
- Function: on-off
- Contact resistance: 2.5VDC @ 1A 20mΩ or less
- Insulation resistance: 500VDC @ 100MΩ or more
- Voltage breakdown: 1000VAC for 1 minute
- Mounting hole dia: 1.27 x .44
- Color: cream with LED (red) with out resistor

Your source for quality electronics. Toll-free full service

**(800) 346-6873**

<http://www.mouser.com>



Dimensions (In.)

**Specifications:**

- Rating: 1A @ 125VAC
- Insulation resistance: 100MΩ (min.) @ 500VDC
- Voltage breakdown: 1000VAC for 1 minute
- Contact resistance: 20mΩ (max.)
- Reliability: 30,000 operations electrical  
50,000 operations mechanical
- Operating & storage temperature: -10°C to +55°C

**Round**

Mouser Stock No.	Button Color	Circuit
Tactile Touch Type		
10KB011	Red	Off-(On)
10KB012	Black	Off-(On)
10KB015	White	Off-(On)
Non-Tactile Touch Type		
10KB021	Red	Off-(On)
10KB022	Black	Off-(On)
10KB025	White	Off-(On)

**Square**

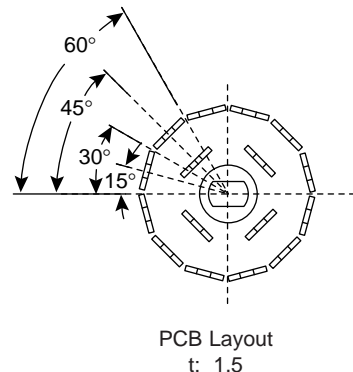
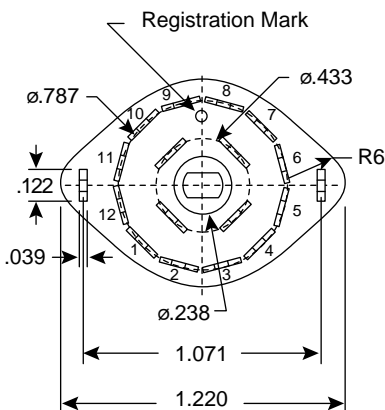
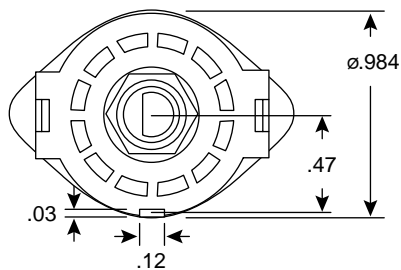
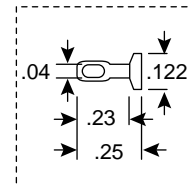
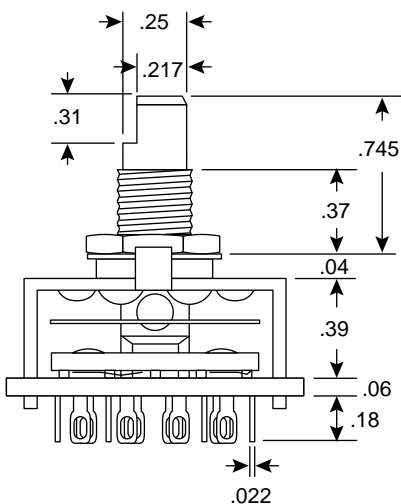
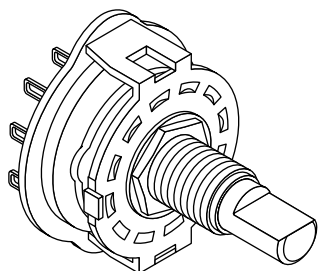
Mouser Stock No.	Button Color	Circuit
Tactile Touch Type		
10KB031	Red	Off-(On)
10KB032	Black	Off-(On)
10KB035	White	Off-(On)
Non-Tactile Touch Type		
10KB041	Red	Off-(On)
10KB042	Black	Off-(On)
10KB045	White	Off-(On)

Your source for quality electronics. Toll-free full service

**(800) 346-6873**

<http://www.mouser.com>

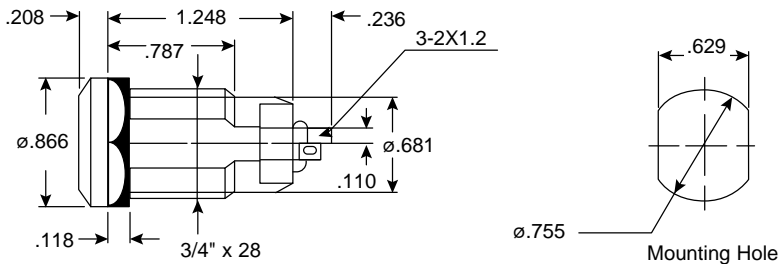
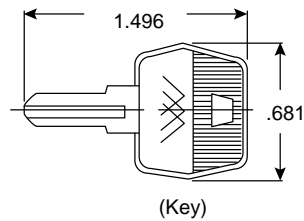
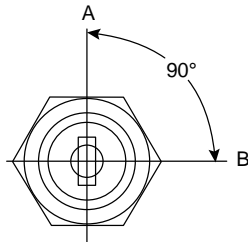
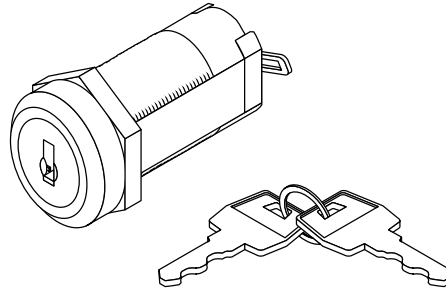




**Dimensions (In.)**

**Specifications:**

- Type: non-shorting contact (break before make)
- Poles: 4
- Positions: 3
- Rating: 0.3A @ 125VAC
- Contact resistance: 30mΩ max. @ 1A
- Insulation resistance: 10MΩ @ 500VDC min.
- Withstand voltage: 500VAC for 1 minute
- Rotation torque: 1~3KG/cm
- Hardware included: 1 hexagon nut & 2 washers
- Shaft: 1/4"
- Thread size: 3/8- 32NEF



### Dimensions (In.)

#### Specifications:

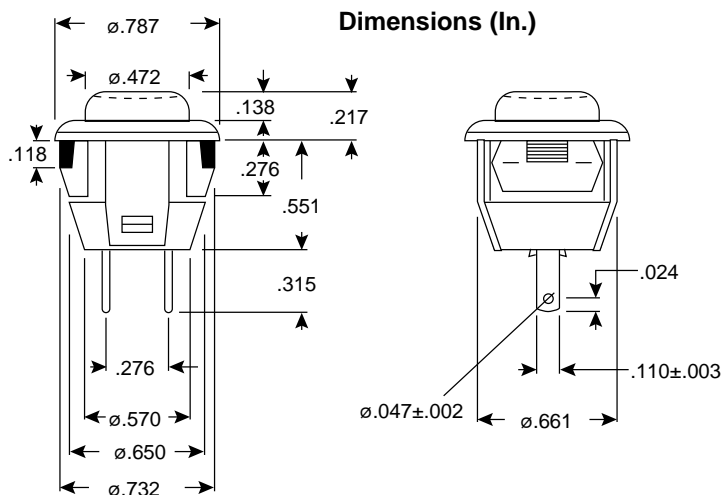
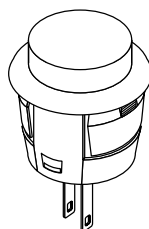
- Circuit: SPDT (3P)
- Switching function: on - on
- Rating: 5A, 125VAC
- Insulation resistance: 500VDC 100M $\Omega$  (min)
- Voltage breakdown: 1000VAC 1 minute
- Contact resistance: 2.5VDC 1A 20m $\Omega$  (max)

Mouser Stock No.	Description
10KS183	Key removable in "A" position only
10KS184	Key removable in "A" & "B" positions

Your source for quality electronics. Toll-free full service

**(800) 346-6873**

<http://www.mouser.com>



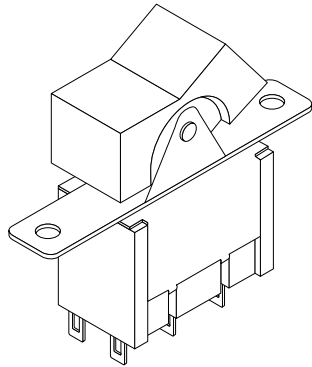
**Specifications:**

- Rating: 3A 125VAC
- Circuit: 2P (SPST)
- Function: off-(on) momentary
- Contact resistance: 2.5VDC 1A 20mΩ or less
- Insulation resistance: 500VDC 100MΩ or more
- Voltage breakdown: 1000VAC 1 min.
- Mtg. hole dia mm: 17.8 ± 0.1
- Color: 10PA005 - red, 107-DS412W - white
- Net weight: gram/piece: 4.2g

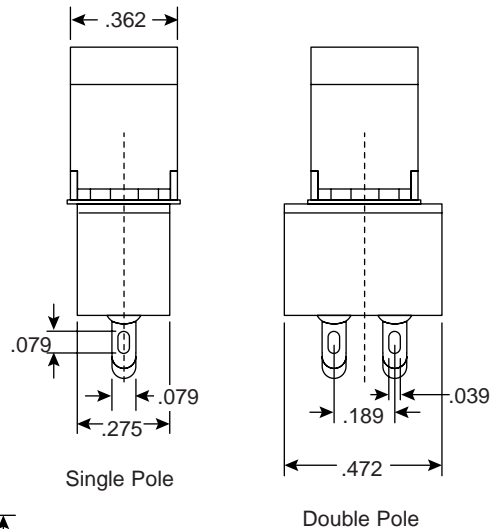
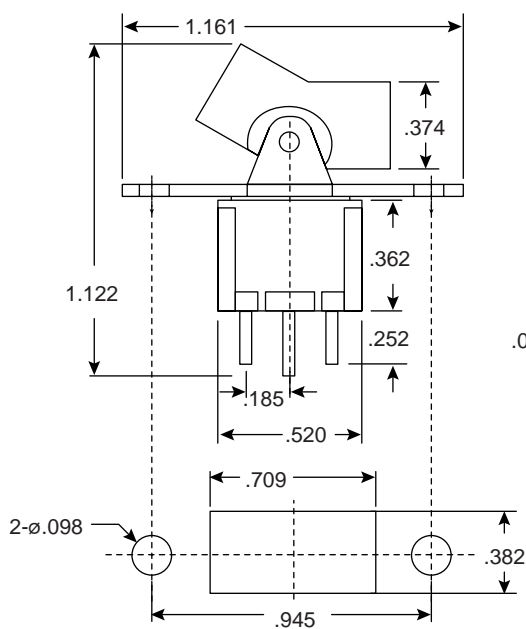
Your source for quality electronics. Toll-free full service

**(800) 346-6873**

<http://www.mouser.com>



Mouser Stock No.	Type	Circuit
1055-RA1120	SPST	ON-OFF
1055-RA1130	SPDT	ON-ON
1055-RA1135	SPDT	ON-OFF-ON
1055-RA1160	DPDT	ON-ON
1055-RA1165	DPDT	ON-OFF-ON



Dimensions (In.)

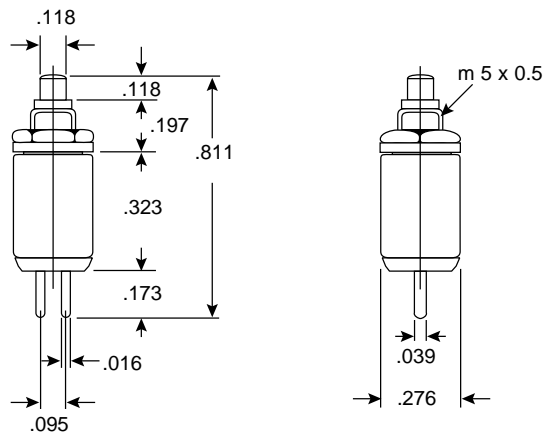
**Specifications:**

- Rating: 125VAC @ 6A, 250VAC @ 3A
- Contact resistance: 20mΩ (max)
- Insulation resistance: 500VDC @ 100MΩ (min)
- Dielectric strength: 1000VAC for 1 minute
- Electrical life: 10,000 cycles
- Mechanical life: 100,000 cycles
- Operating temperature: -20°C~65°C
- Actuator: rocker
- Case: alkyd, anti-flame & high insulation
- Contacts: copper alloy with silver inlay or silver plated
- Terminals: silver plated copper alloy
- Epoxy sealed: anti-dust, anti-moisture
- Cover: stainless steel

Your source for quality electronics. Toll-free full service

**(800) 346-6873**

<http://www.mouser.com>

**Dimensions (In.)****Specifications:**

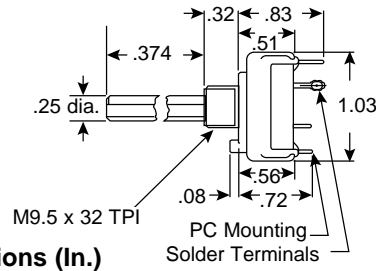
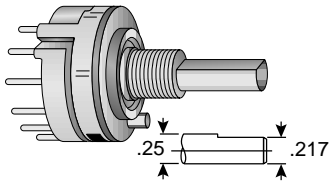
- Rating: 0.5A @ 125VAC
- Circuit: SPST
- Function: Off- (On)
- Contact resistance: 20m $\Omega$  @ 2.5VDC and 1A or less
- Insulation resistance: 100M $\Omega$  @ 500VDC or more
- Voltage breakdown: 1,000VAC for 1 minute
- Button color: 10PA018 (red), 10PA019 (black)
- Operating temp.: -10°C to +55°C
- Soldering temp.: 270°C within 3 sec.

Note: Recommended for hand soldering only.

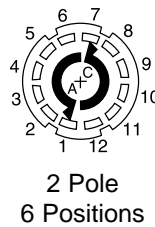
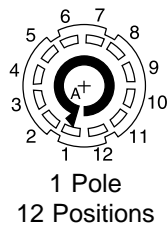
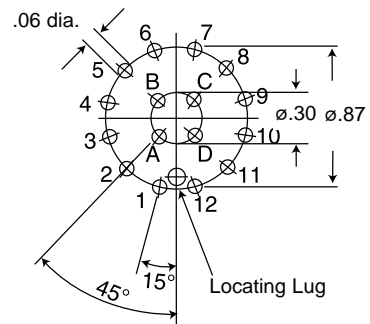
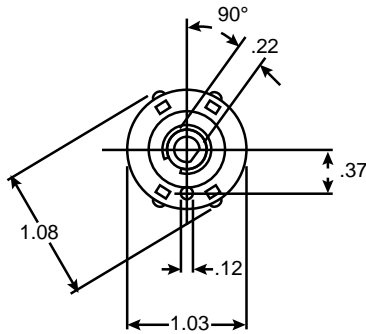
Your source for quality electronics. Toll-free full service

**(800) 346-6873**

<http://www.mouser.com>



Dimensions (In.)



**Specifications:**

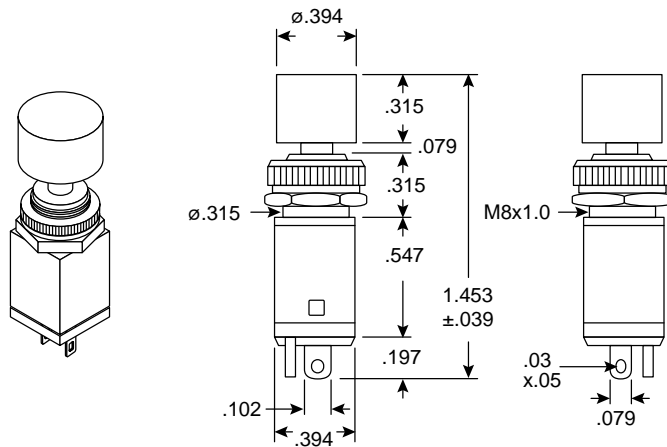
- Maximum working voltage: 300VAC/DC resistive load
- Proof voltage: 1,000 RMS min.
- Current carrying capacity: 5A (non-switching)
- Contact rating: 150mA 250VAC/DC
- Insulation resistance: 25,000MΩ min.
- Contact resistance: 50mΩ min.
- Operating temperature: -30°C to +85°C
- Life: greater than 10,000 cycles
- Operating torque (nominal): 5.6Ncm
- End stop torque (minimum): 1.13 Nm
- Moulding material: glass filled nylon
- Contact / terminal material: silver plated brass

Mouser Stock No.	Poles	Pos. NS (max.)	SL (In)
10WC404	1	12	3/8
10WC405	2	6	3/8
10WC424	1	12	1/2
10WC425	2	6	1/2
10WC444	1	12	1 3/16
10WC445	2	6	1 3/16

Your source for quality electronics. Toll-free full service

**(800) 346-6873**

## Mountain Switch



Dimensions (In.)

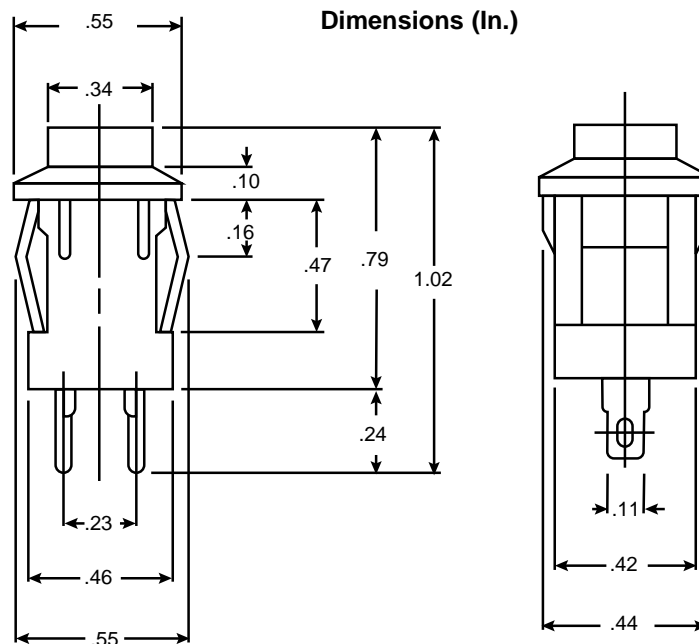
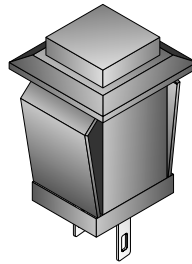
### Specifications:

- Rating: 3A @ 125VAC
- Mechanical life: 30,000 operations
- Electrical life: 10,000 operations
- Circuit: SPST; Off-(On)
- Contact resistance: 20mΩ or less
- Insulation resistance: 100MΩ or more
- Dielectric strength: 1000VAC for 1 minute
- Weight: 9.8g
- Mounting hole:  $\varnothing$ 8.1mm
- Button color: 10PA201 red, 10PA202 black

Your source for quality electronics. Toll-free full services

**(800)346-6873**

<http://www.mouser.com>



**Specifications:**

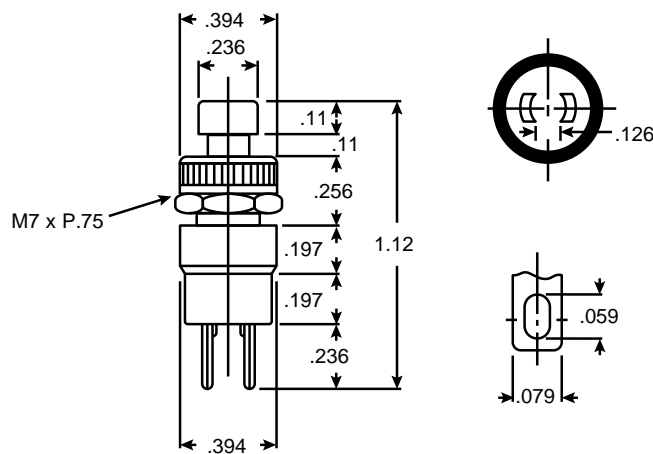
- Rating: 1A @ 125VAC, 5A @ 250VAC
- Circuit: SPST, off-(on) momentary
- Contact resistance: 20mΩ max. @ 1A, 2.5VDC
- Insulation resistance: 100MΩ min. @ 500VDC
- Breakdown voltage: 1500VAC for 1 minute
- Mounting hole: .49 x .44 inches
- Color: 10PA210 = red  
10PA211 = black

Your source for quality electronics. Toll-free full service  
**(800) 346-6873**





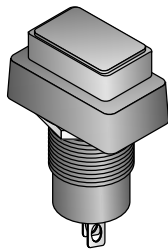
Dimensions (In.)



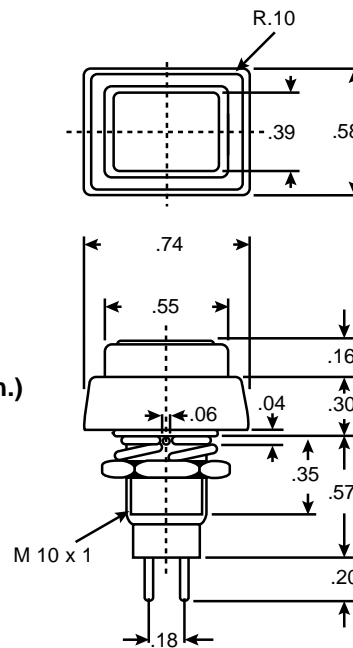
**Specifications:**

- Rating: 1A @ 125VAC
- Insulation resistance: 100M $\Omega$  (min.) @ 500VDC
- Voltage breakdown: 1000VAC for 1 minute
- Contact resistance: 20m $\Omega$  (max.)
- Solder terminal
- Circuit: off-on
- Type: SPST (2P)
- Button color: 10PA220 (red)  
10PA221 (black)
- Mounting hole diameter: .283 inches

Your source for quality electronics. Toll-free full service  
**(800) 346-6873**



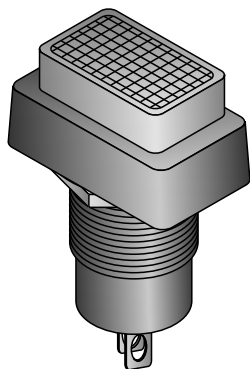
Dimensions (In.)

**Specifications:**

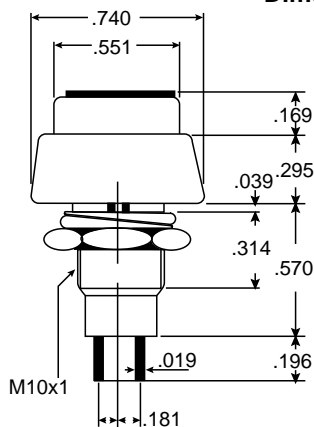
- Rating: 1A @ 250VAC, 3A @ 125VAC
- Circuit: SPST (2P)
- Switching function: OFF-(ON)
- Insulation resistance: 100M $\Omega$  (min) @ 500VDC
- Voltage breakdown: 1500VAC for 1 minute
- Contact resistance: 20m $\Omega$  (max) @ 2.5VDC and 1A
- Button type: rectangular
- Button color: red
- Frame color: black molding

Your source for quality electronics. Toll-free full service

**(800) 346-6873**



Dimensions (In.)



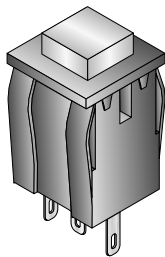
**Materials Specifications:**

- Lead is silver clad-copper (AG + CU) and is finished BL silver-plating.
- Moveable contact arm is silver clad copper (AG + CU)

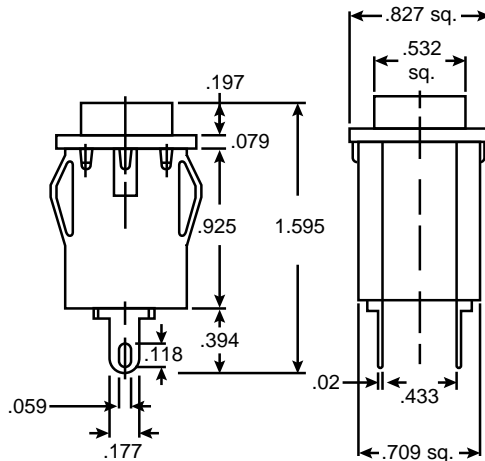
Circuit	Rating	Insulation Resistance	Voltage Breakdown	Contact Resistance
SPST(2P)	3A, 125VAC 1A, 250VAC	500VDC 100MΩ(min)	1500VAC 1 minute	2.5VDC 1A 20mΩ(max)

Mouser Stock No.	Button Type	Button Color or Treatment	Frame Color or Treatment	Switching Function
10PA348 10PP448	Rectangular	Notching Metal Plated	Black Mould	Off-(On) On-Off
10PA349 10PP449	Rectangular	Notching Metal Plated	Metal Plated	Off-(On) On-Off

Your source for quality electronics. Toll-free full service  
**(800) 346-6873**



Dimensions (In.)

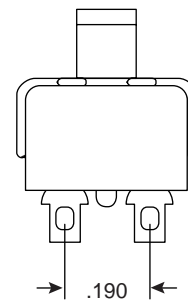
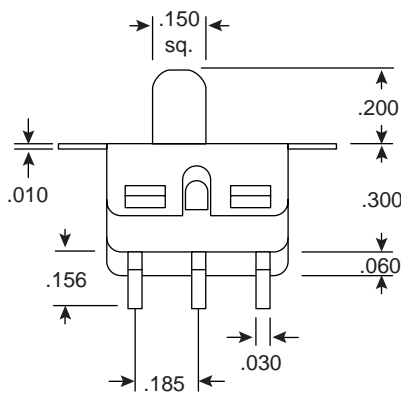
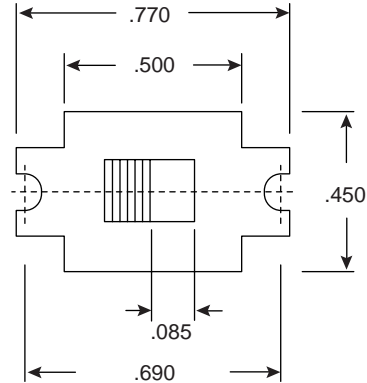
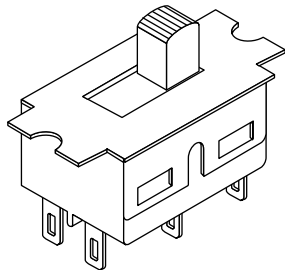


**Specifications:**

- Rating: 1A @ 125VAC
- Type: 2P (SPST)
- Circuit: off-(on)
- Mounting panel thickness: .039 min., .20 max.
- Contact resistance: 1A @ 2.5VDC 20mΩ max.
- Insulation resistance: 500VDC 100MΩ min.
- Voltage breakdown: 1000VAC for 1 minute
- Mounting hole dia.: .73 x .73
- Supplied with 6.3V T1-3/4 screw base lamp
- Wired separate from switch contacts
- Snap-in mounting
- 1 watt
- 160mA (max)

Mouser Stock No.	Color
10PL001	Red
10PL002	Green
10PL003	Yellow
10PL004	Blue
10PL005	White

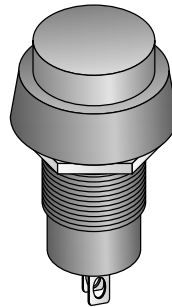
Your source for quality electronics. Toll-free full service  
**(800) 346-6873**



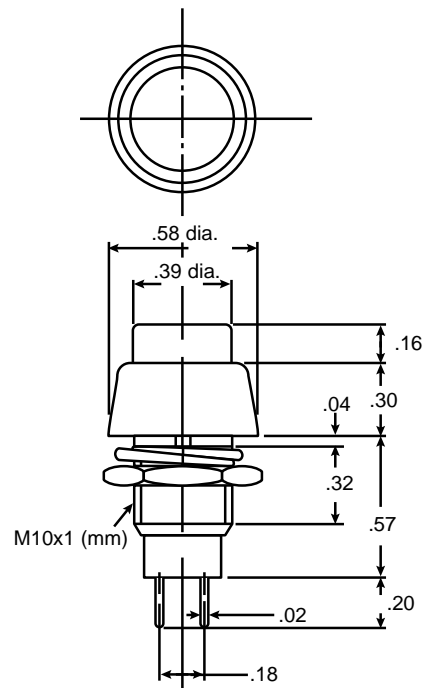
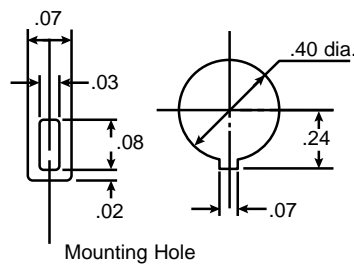
### Dimensions (In.)

#### Specifications:

- Contact rating: 5A @ 120VAC or 28VDC; 2A @ 250VAC
- Contact resistance: 10mΩ max. initially
- Electrical life: 30,000 actuations at full load
- Insulation resistance: 1,000MΩ min.
- Dielectric strength: 1,000VRMS @ sea level
- Operating temperature: -30°C~+85°C
- Case: diallyl phthalate (DAP)
- Housing: stainless steel
- Slide handle: nylon
- End terminals: silver plated coin silver
- Center contacts & body: silver plated brass



**Dimensions (In.)**

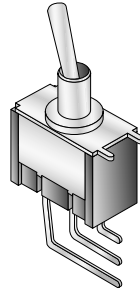


**Specifications:**

- Rating: 3A @ 125VAC  
1A @ 250VAC
- Insulation resistance: 500VDC 100MΩ (min)
- Voltage breakdown: 1500VDC for 1 minute
- Contact resistance: 2.5VDC 1A 20mΩ (max)
- Circuit: SPST (2P)

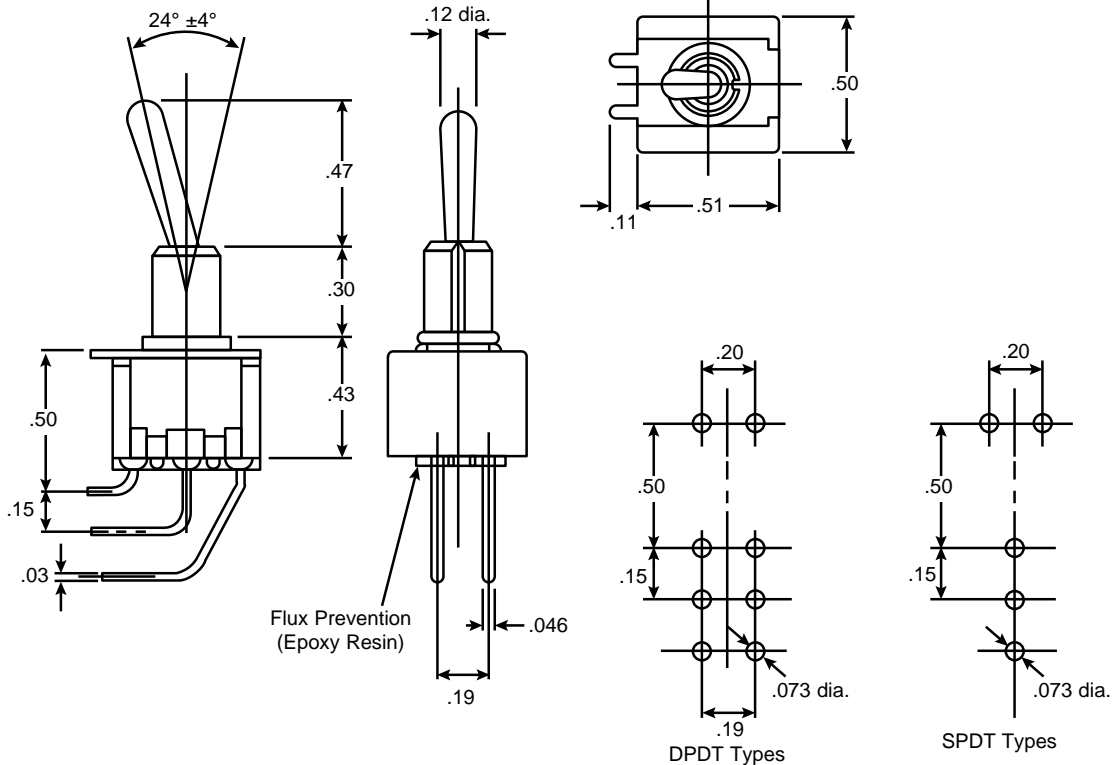
Mouser Stock No.	Switching Function
10PP426	Off On
10PA326	Off (On)

Your source for quality electronics. Toll-free full service  
**(800) 346-6873**



\*\*CSA (File No. LR26920) Listed  
(Momentary types are not listed or approved)

**Dimensions (In.)**



( ) = Momentary Contact

**Specifications:**

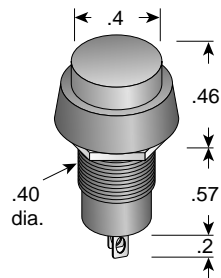
- Rating: 6A @ 125VAC, 3A @ 250VAC
- Breakdown voltage: 1000VAC for 1 minute
- Insulation resistance: 100MΩ (min.)
- Contact resistance: 20mΩ (max.)
- Mechanical life: 30,000 cycles (min.)
- Electrical life: 10,000 cycles (min.)
- Terminals: gold plated

Mouser Stock No.	Type	Circuit
10TF130	SPDT	On-On**
10TF132	SPDT	On-(On)
10TF135	SPDT	On-Off-On**
10TF140	SPDT	On-Off-(On)
10TF145	SPDT	(On)-Off-(On)
10TF160	DPDT	On-On**
10TF162	DPDT	On-(On)
10TF165	DPDT	On-Off-On**
10TF170	DPDT	On-Off-(On)**
10TF175	DPDT	(On)-Off-(On)

Your source for quality electronics. Toll-free full service

**(800) 346-6873**

### Dimensions (In.)



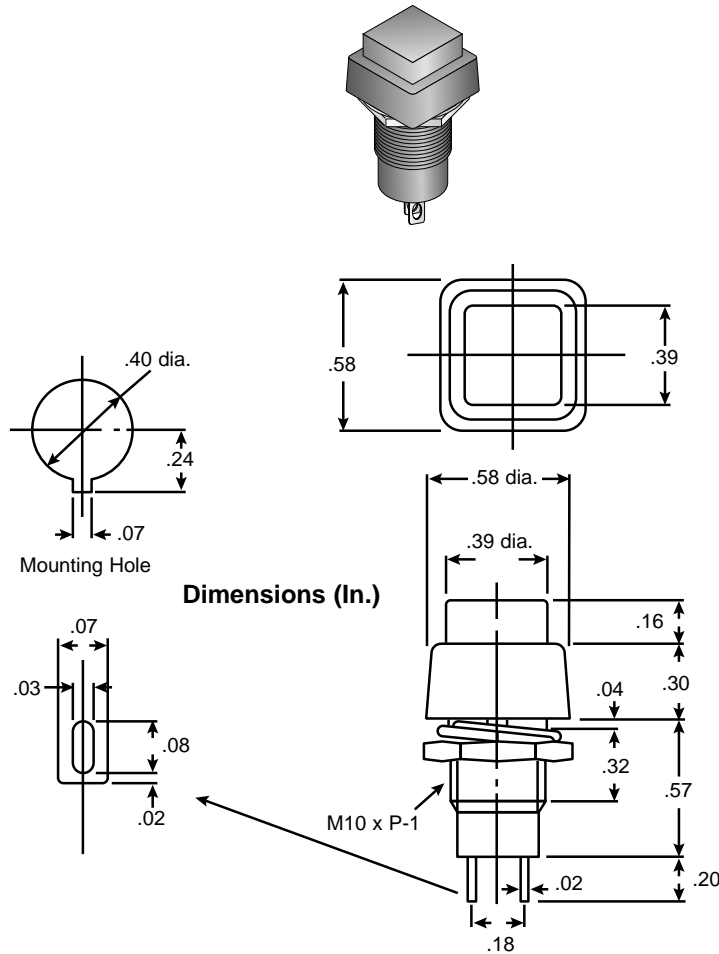
### Specifications:

- Mechanical life: 100,000 operations
- Electrical life: 50,000 operations
- Rating: 3A @ 125VAC, 1A @ 150VAC
- Mounting hole: .40 inch
- SPST: off-on
- Voltage breakdown: 1500VAC for 1 minute
- Insulation resistance: 500VDC 100M $\Omega$  (min.)
- Color: black

Your source for quality electronics. Toll-free full service

**(800) 346-6873**





### Specifications:

These quality long life push button switches have a soft touch with assorted colored button and frames. Metal colored buttons are aluminum and other button colors are molded plastic. There are two types, alternate (on-off) and momentary (on).

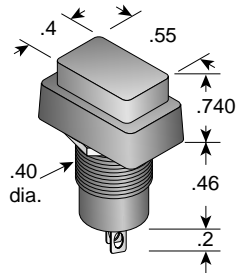
- Mechanical life: 100,000 operations
- Electrical life: 50,000 operations
- Rating: 3A @ 125VAC, 1A @ 250VAC
- Mounting hole: .40"
- SPST
- Insulation resistance: 500VDC 100MΩ (min.)
- Voltage breakdown: 1500VAC for 1 minute
- Contact resistance: 1A @ 2.5VDC 20mΩ (max.)

Mouser Stock No.	Button Color	Frame Color	Circuit
10PA332	Red	Black	Off-(On)
10PP432	Red	Black	On-Off
10PA333	Black	Black	Off-(On)
10PP433	Black	Black	On-Off
10PA335	Metal	Black	Off-(On)
10PP435	Metal	Black	On-Off
10PA336	Metal	Metal	Off-(On)
10PP436	Metal	Metal	On-Off

Your source for quality electronics. Toll-free full service

**(800) 346-6873**

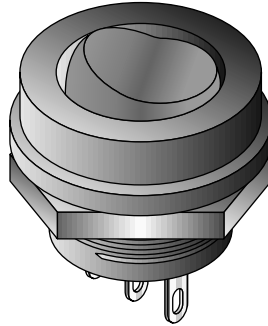
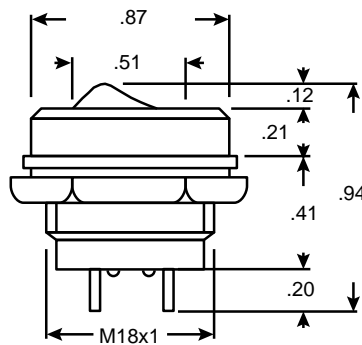
### Dimensions (In.)



### Specifications:

- Mechanical life: 100,000 operations
- Electrical life: 50,000 operations
- Rating: 3A @ 125VAC, 1A @ 250VAC
- Mounting hole: .40 inch
- Circuit: off-on alternate
- Button color: red
- Frame color: black
- SPST

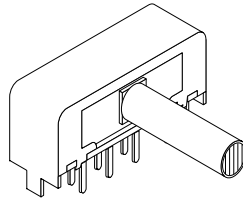
Your source for quality electronics. Toll-free full service  
**(800) 346-6873**

**Dimensions (In.)****Specifications:**

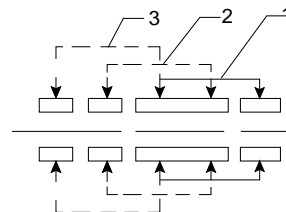
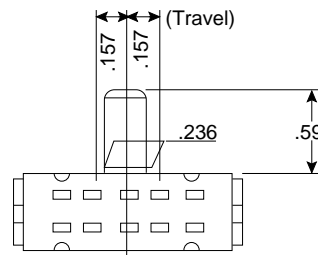
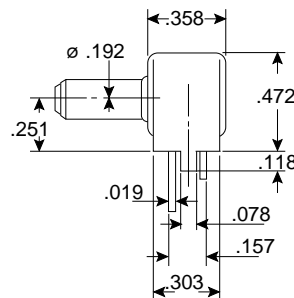
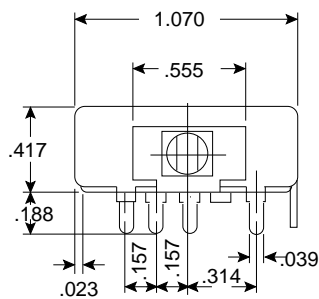
- Rating: 3A @ 250VAC
- Circuit: 2P (SPST)
- Function: On-Off
- Contact resistance: 2.5VDC 1A, 20mΩ or less
- Insulation resistance: 100MΩ or more
- Voltage breakdown: 1500VAC 1 minute
- Net weight: gram pc: 10.5G (DS-062)

Your source for quality electronics. Toll-free full service

**(800) 346-6873**



**Dimensions (In.)**



Schematic

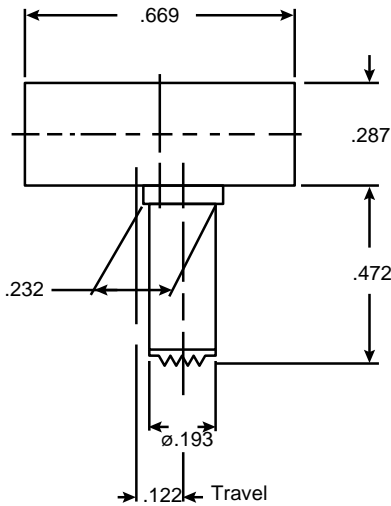
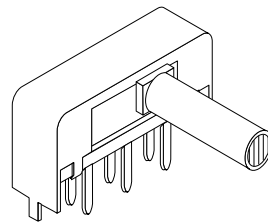
**Specifications:**

- Rating: 50VDC 0.5A
- Contact resistance: not more than 30mΩ
- Insulation resistance: 500MΩ at 500VDC
- Withstand voltage: 500VAC for 1 min
- Operation force: 550 ± 350g
- Switching life: 10,000 cycles (15 ~ 18 cycles/min)

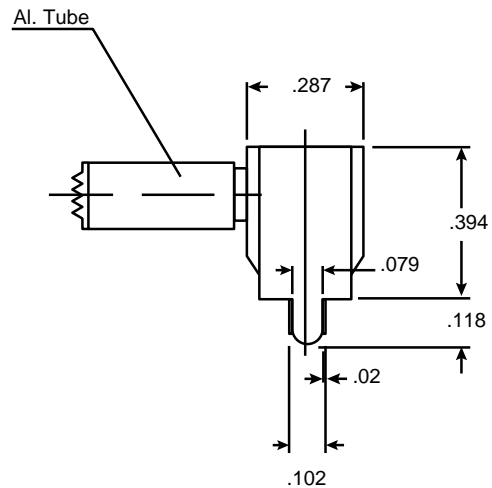
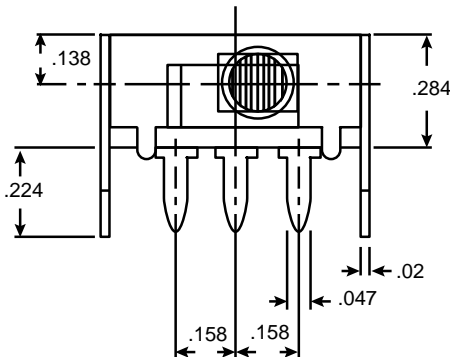
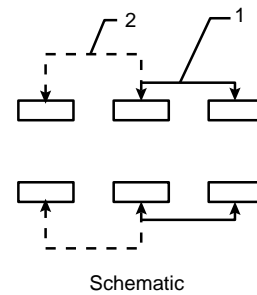
Your source for quality electronics. Toll-free full services

**(800)346-6873**

<http://www.mouser.com>



Dimensions (In.)



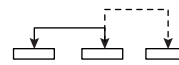
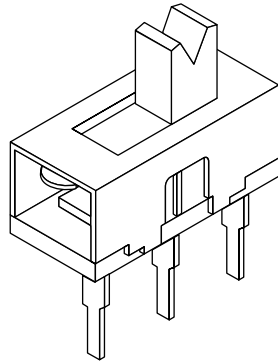
**Specifications:**

- Rating: .5A @ 50VDC
- Initial contact resistance: not more than 30mΩ
- Insulation resistance: 500MΩ @ 500VDC
- Withstand voltage: 500VAC for 1 minute
- Switching life: 10,000 cycles (15-18 C/M unloading)
- Slide switch: brushed aluminum handle

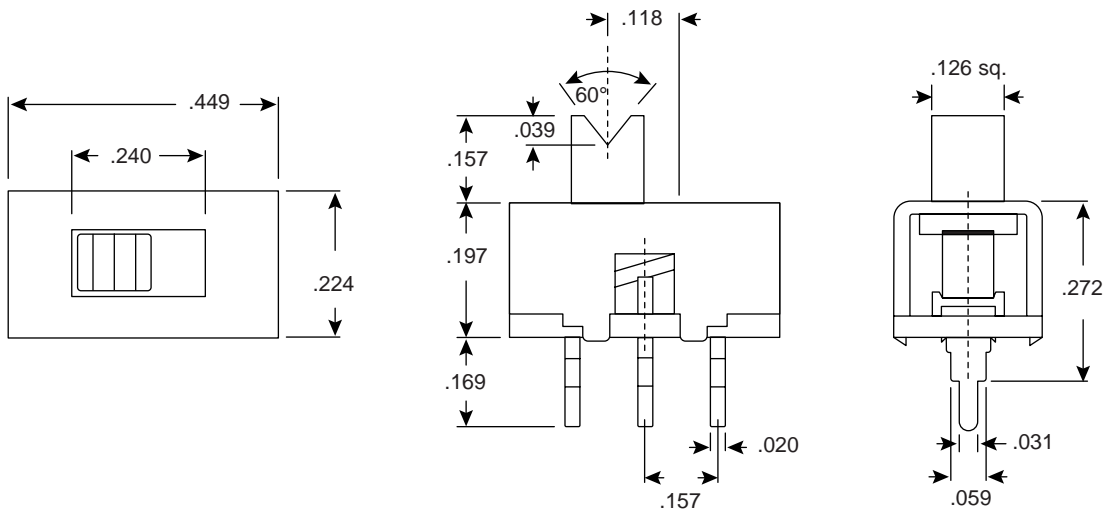
Your source for quality electronics. Toll-free full service

**(800) 346-6873**

<http://www.mouser.com>



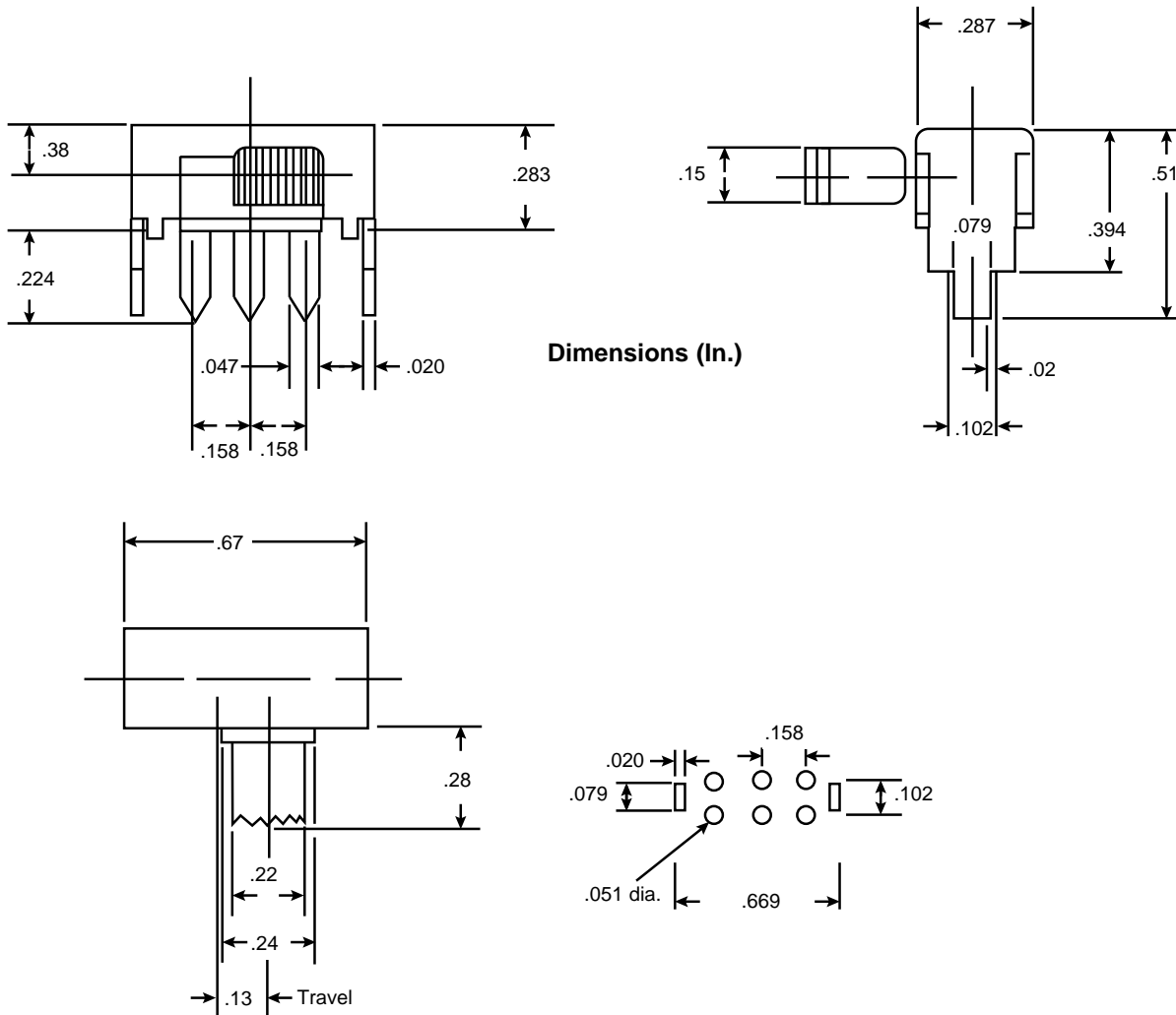
Circuit Diagram



Dimensions (In.)

**Specifications:**

- Circuit: SPDT on-on
- Rating: .5A @ 50VDC
- Contact resistance: 30mΩ max. (initial)
- Insulation resistance: 500MΩ @ 500VDC
- Withstand voltage: 500VAC for 1 minute
- Switching life: 10K cycles



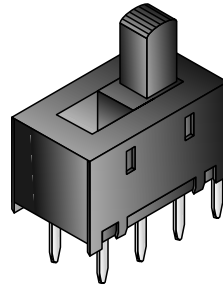
**Specifications:**

- Rating: 50VDC 0.5A
- Insulation contact resistance: 30mΩ (max)
- Insulation resistance: 500MΩ @ 500VDC
- Withstand voltage: 500VAC for 1 minute
- Switching life: 10,000 cycles (15-18 c/m unloading)

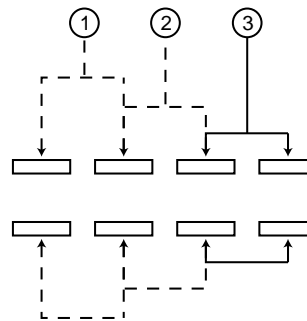
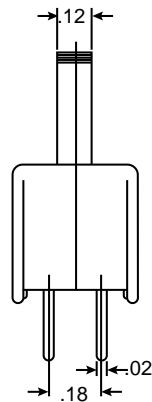
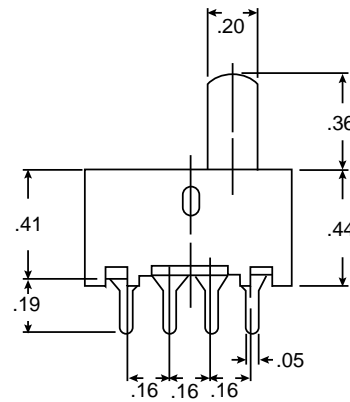
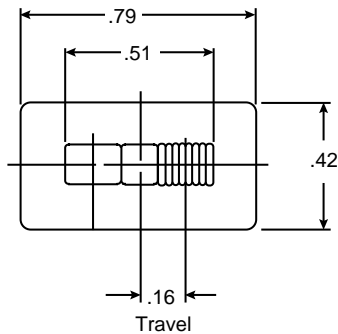
Your source for quality electronics. Toll-free full service

**(800) 346-6873**

<http://www.mouser.com>



Dimensions (In.)

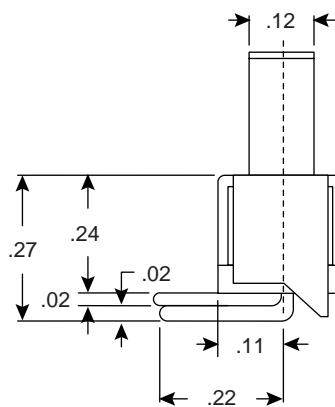
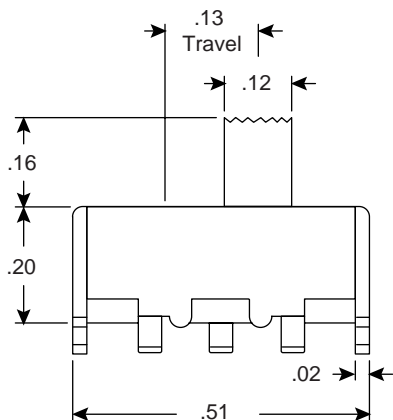
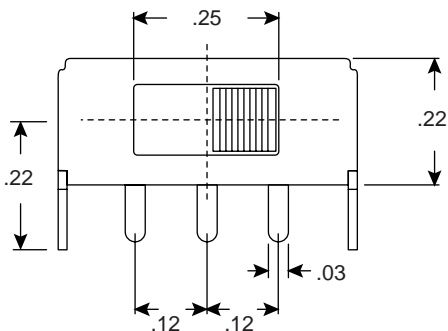
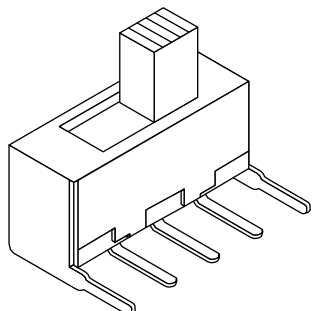


**Specifications:**

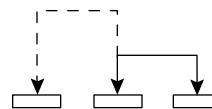
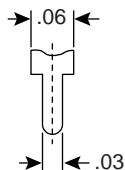
- Initial contact resistance: not > 30mΩ
- Insulation resistance: 500MΩ min. @ 500VDC
- Withstanding voltage: 500VAC for 1 minute
- Switching life: 10,000 cycles
- Type: DP3T
- Circuit: On-On-On
- Rating: 5A @ 50VDC

Your source for quality electronics. Toll-free full service  
**(800) 346-6873**





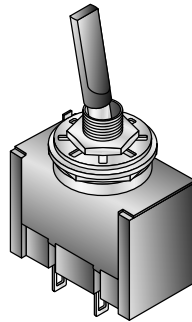
### Dimensions (In.)



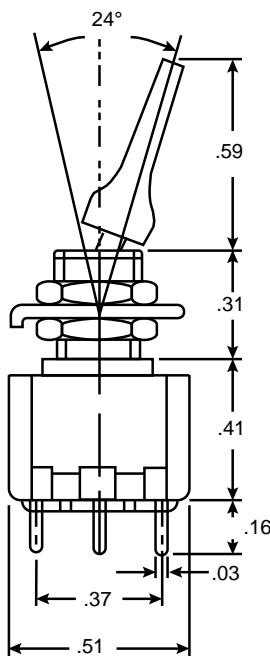
Schematic

### Specifications:

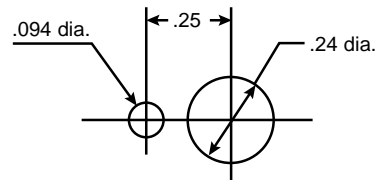
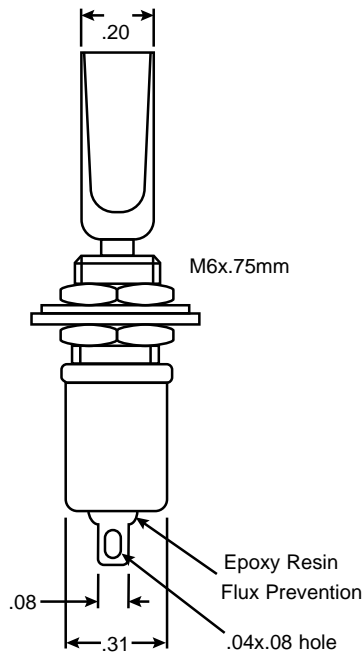
- Rating: .5A @ 50VDC
- Initial contact resistance:  $\leq 30\text{m}\Omega$
- Insulation resistance:  $500\text{M}\Omega$  @ 500VDC
- Withstand voltage: 500VAC for 1 minute
- Switching life: 10,000 cycles (15-18 C/M unloading)
- Function: on-on
- Shell: nickel plated steel (10SP018 has black painted finish)
- Knob: duracon plastic
- Terminals: silver plated brass
- Contacts: silver plated phosphor bronze
- Base: phenolic board



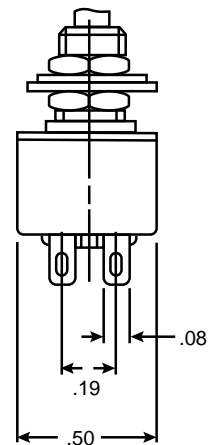
Mounting Hole



SPDT Types



Dimensions (In.)



DPDT Types

**Specifications:**

- Rating: 6A @ 125VAC
- Contact resistance: 20mΩ max
- Insulation resistance: 500VDC @ 100MΩ (min)
- Voltage breakdown: 1000AC / min

\* CSA (file no. LR26920) listed  
\*\* UL and CSA



LR26920

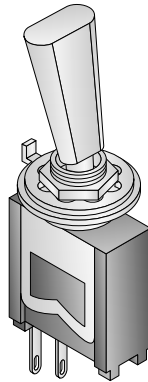
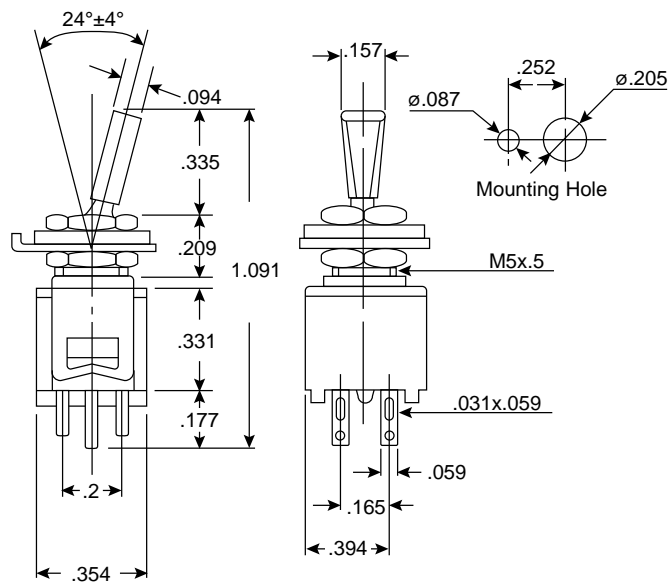


E128300

Mouser Stock No.	Type	Circuit
10TA220	SPST	On-Off*
10TA230	SPDT	On-On**
10TA245	SPDT	(On)-Off-(On)
10TA235	SPDT	On-Off-On
10TA260	DPDT	On-On**
10TA265	DPDT	On-Off-(On)**
10TA275	DPDT	(On)-Off-(On)

Your source for quality electronics. Toll-free full service

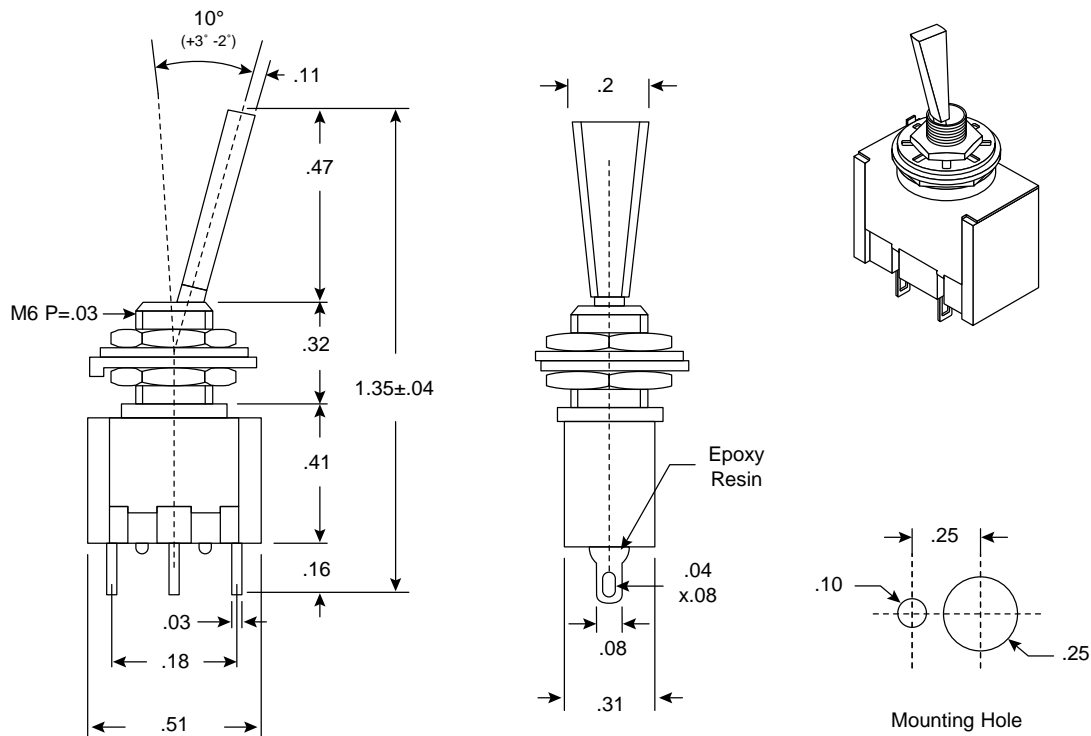
**(800) 346-6873**

**Dimensions (In.)****Specifications:**

- Circuit: 3P SPDT on-off
- Rating: 3A @ 125VAC
- Insulation resistance: 500VDC 100M $\Omega$  (min)
- Voltage breakdown: 1000VAC for 1 minute
- Contact resistance: 2.5VDC .1A 20m $\Omega$  (max)
- Hardware: nickel plated brass

Your source for quality electronics. Toll-free full service

**(800) 346-6873**



Dimensions (In.)

**Specifications:**

- Contact resistance: 20mΩ (max)
- Breakdown voltage: 1000VAC for 1 minute
- Insulation resistance: 100MΩ (min)
- Rating: 6A/125VAC, 3A/250VAC
- Solder terminals

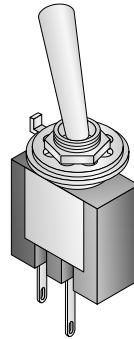
( ) = Momentary contact

Mouser Stock No.	Type	Current
10TA320	SPST	On-Off
10TA330	SPDT	On-Off
10TA335	SPDT	On-Off-On
10TA345	SPDT	(On)-Off(On)
10TA360	DPDT	On-On
10TA365	DPDT	On-Off-On
10TA375	DPDT	(On)-Off-(On)

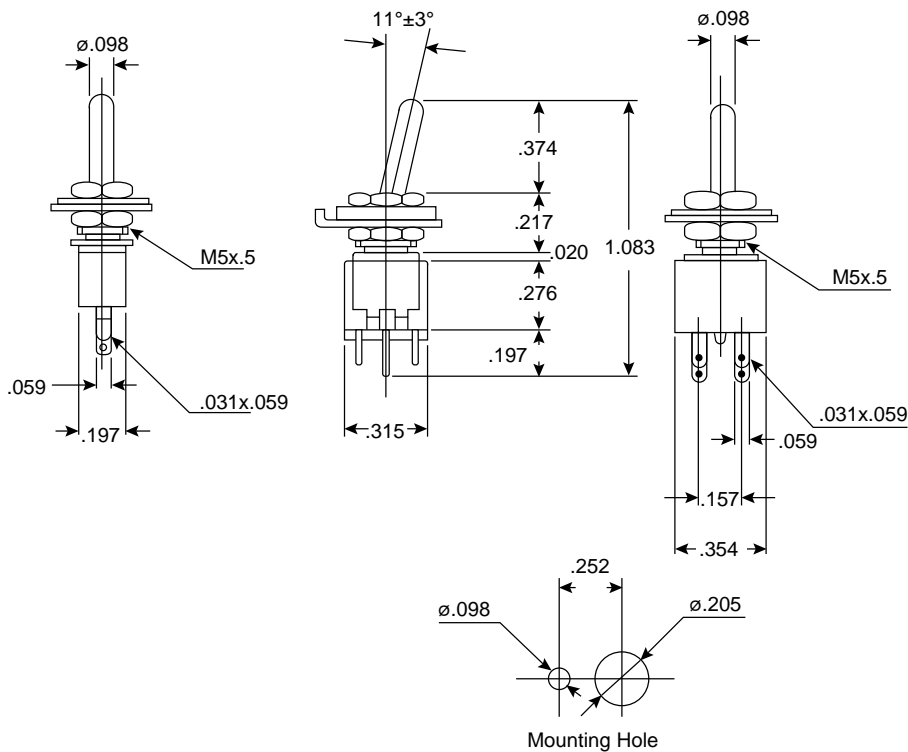
Your source for quality electronics. Toll-free full services

**(800)346-6873**

<http://www.mouser.com>



Dimensions (In.)



**Specifications:**

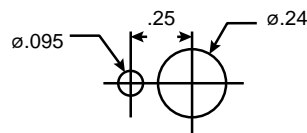
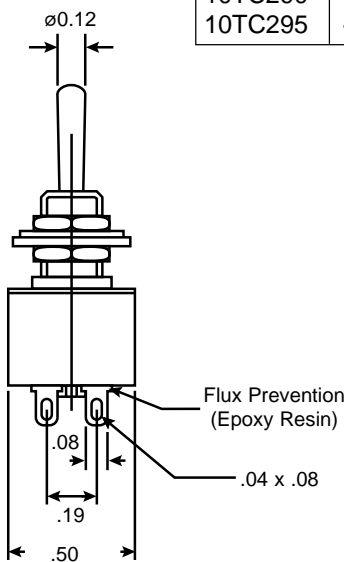
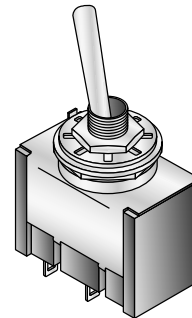
- Rating: 3A @ 125VAC
- Insulation resistance: 500VDC 100M $\Omega$  min
- Breakdown voltage: 1000VAC for 1 minute
- Contact resistance: 2.5VDC @ 1A 20m $\Omega$  max

Mouser Stock No.	Circuit	Switching Function
10TA805	SPST 2P	On-Off
10TA810	SPDT 3P	On-On
10TA815	DPDT 6P	On-On

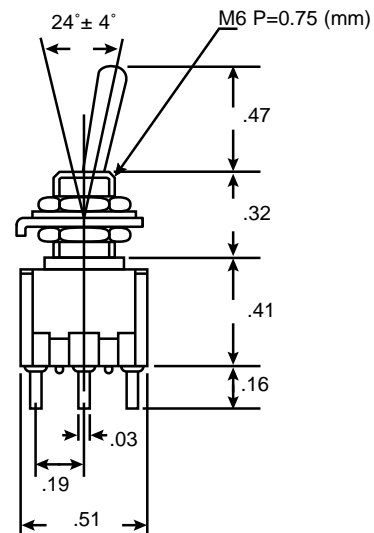
Your source for quality electronics. Toll-free full service  
**(800) 346-6873**

\* CSA listed (file no. LR26920)

Mouser Stock No.	Type	Circuit
10TC220	SPST	ON-OFF*
10TC230	SPDT	ON-ON*
10TC232	SPDT	ON-(ON)
10TC235	SPDT	ON-OFF-ON*
10TC240	SPDT	ON-OFF-(ON)
10TC245	SPDT	(ON)-OFF-(ON)
10TC260	DPDT	ON-ON*
10TC262	DPDT	ON-(ON)
10TC265	DPDT	ON-OFF-ON*
10TC270	DPDT	ON-OFF-(ON)
10TC275	DPDT	(ON)-OFF-(ON)
10TC280	3PDT	ON-ON
10TC285	3PDT	ON-OFF-ON
10TC290	4PDT	ON-ON
10TC295	4PDT	ON-OFF-ON



Dimensions (In.)

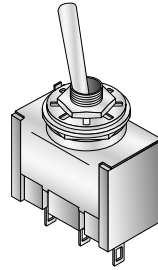


**Specifications:**

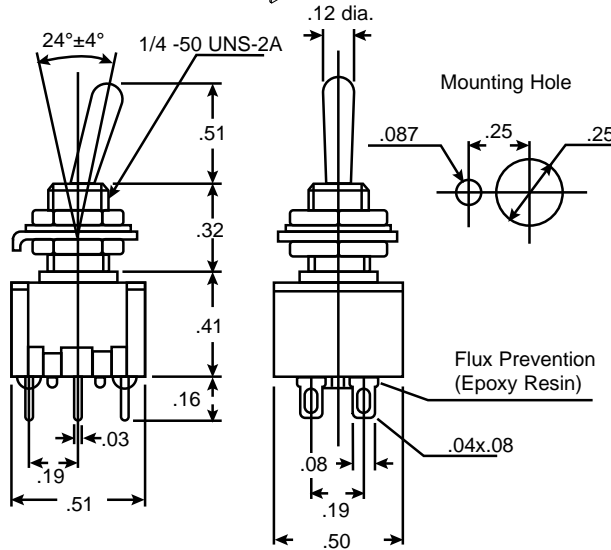
- Resistance load: 6A @ 125VAC (3A @ 250VAC) (6A @ 30VDC)
- Inductive load: 6A @ 125VAC (power factor 0.8), (3A @ 250VAC) (p. f. 0.8)
- Mechanical life: over 30,000 operations (switching frequency 20 operations minute)
- Electrical life: over 10,000 operations (same as above) (rated load)
- Insulation resistance: over 100MΩ (by DC 500V tester)
- Voltage breakdown: 1,000VAC for 1 minute (between contact & case)
- Contact resistance: 20mΩ max.
- Ambient temperature: -10C to + 55C
- Ambient humidity: 85% RH max.

Your source for quality electronics. Toll-free full service

**(800) 346-6873**



Dimensions (In.)



**Specifications:**

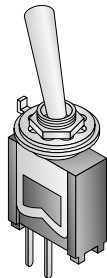
- Resistance load: 6A @ 125VAC (3A @ 250VAC) (6A @ 30VDC)
- Inductive load: 6A @ 125VAC (power factor 0.8) (3A @ 250) (PF 0.8)
- Mechanical life: over 30,000 operations (switching frequency 20 operations minute)
- Electrical life: over 10,000 operations (same as above) (rated load)
- Insulation resistance: over 100MΩ (by 500VDC tester)
- Voltage breakdown: 1000VAC for 1 minute (between contact & case)
- Contact resistance: 20mΩ max.
- Ambient temperature: -10°C to +55°C
- Ambient humidity: 85% RH max.

\* UL (File No. E43907) Listed

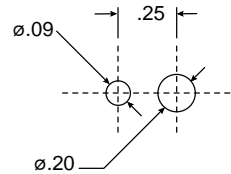
Mouser Stock No.	Type	Circuit
10TA730	SPDT	On-On *
10TA732	SPDT	On-(On)
10TA735	SPDT	On-Off-On *
10TA740	SPDT	On-Off-(On)
10TA745	SPDT	(On)-Off-(On)
10TA760	DPDT	On-On *
10TA762	DPDT	On-(On)
10TA765	DPDT	On-Off-On *
10TA770	DPDT	On-Off-(On)
10TA775	DPDT	(On)-Off-(On)

Your source for quality electronics. Toll-free full service  
**(800) 346-6873**

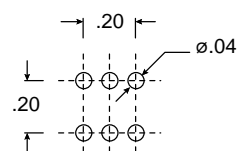
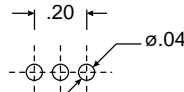
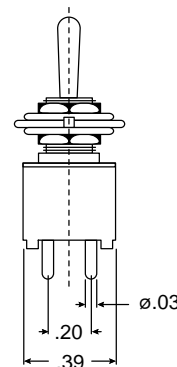
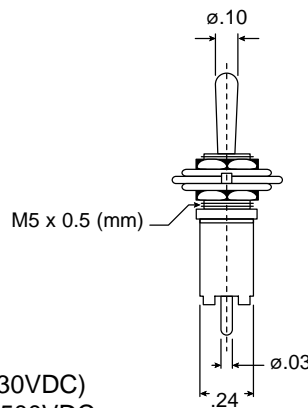
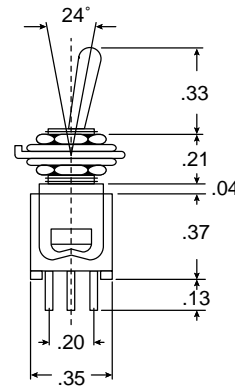
Mouser Stock No.	Type	Circuit
10TC405	SPST	ON-OFF
10TC410	SPDT	ON-ON
* 10TC412	SPDT	ON-OFF-ON
10TC415	DPDT	ON-ON
* 10TC418	DPDT	ON-OFF-ON



Mounting Hole



Dimensions (In.)



Single Pole

Double Pole

**Specifications:**

- Rating: .3A @ 125VAC (\*.3A @ 30VDC)
- Insulation resistance: 100MΩ @ 500VDC
- Voltage breakdown: 1,000VAC for 1min. (\*500VAC)
- Contact resistance: 20mΩ @ 2.5VDC
- Contacts & terminals: gold plated
- PC mount

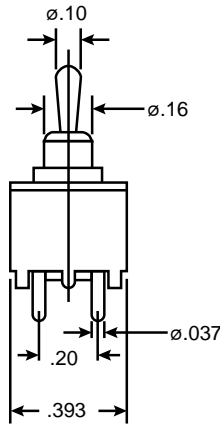
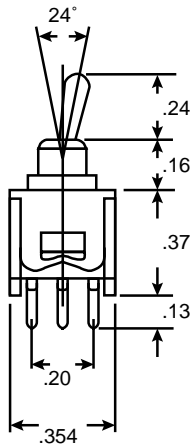
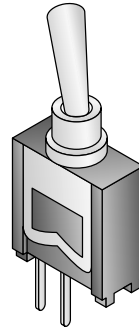
Your source for quality electronics. Toll-free full service

**(800) 346-6873**

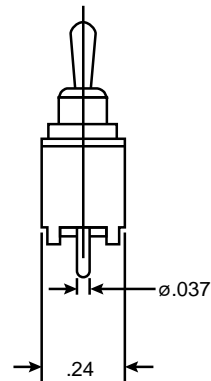


(\* .3A @ 30VDC)

Mouser Stock No.	Type	Circuit
10TC605	SPST	ON-OFF
10TC610	SPDT	ON-ON
*10TC612	SPDT	ON-OFF-ON
*10TC618	DPDT	ON-OFF-ON
10TC615	DPDT	ON-ON

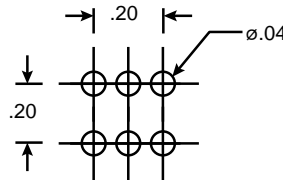
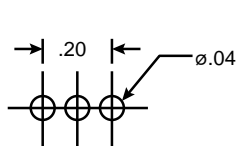


Double Pole



Single Pole

Dimensions (In.)



**Specifications:**

- Insulation resistance: 100M $\Omega$  @ 500VDC
- Voltage breakdown: 1,000VAC for 1 min (\*500VAC)
- Contact resistance: 20m $\Omega$  @ 2.5VDC
- PC mount
- Rating: .3A @ 125VAC

Your source for quality electronics. Toll-free full service

**(800) 346-6873**

# MOUSER<sup>®</sup> ELECTRONICS

10TC930 10TC960  
10TC935 10TC965 Miniature Toggle  
10TC945 10TC975 Switches

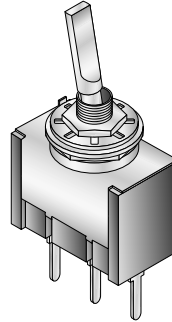
MOUSER STOCK NO. 10TC930, 10TC935, 10TC945, 10TC960, 10TC965, 10TC975

Miniature Toggle Switches

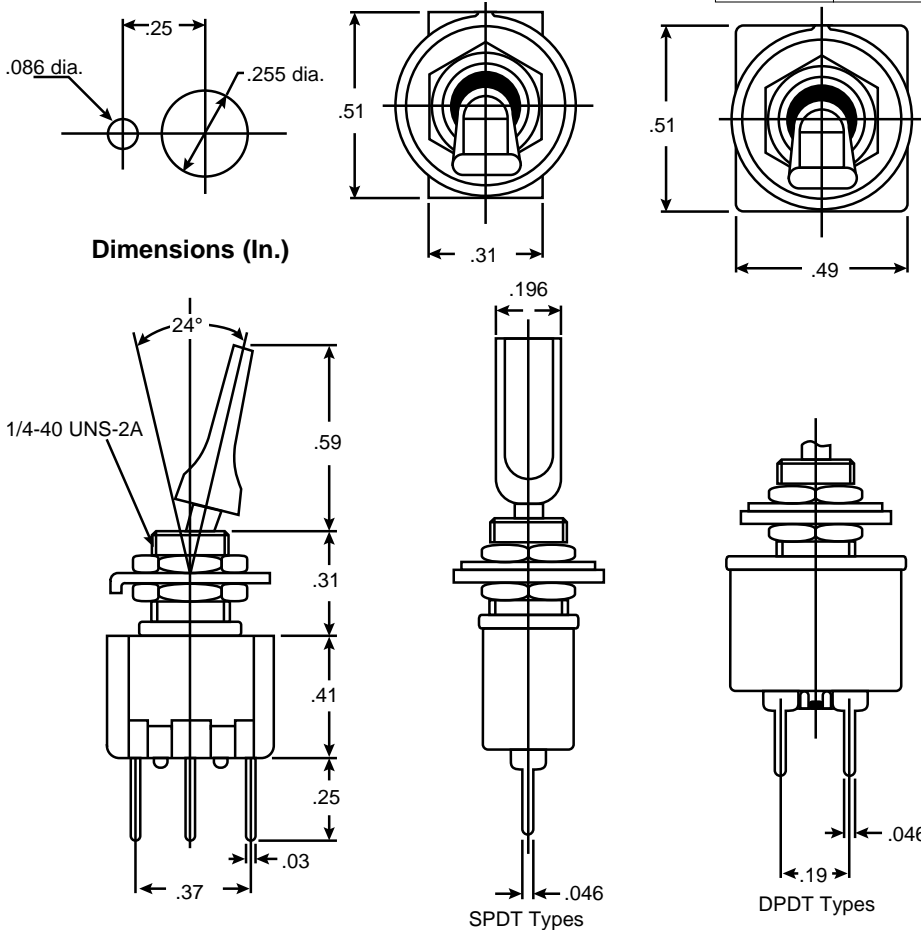
8- 011046



\* UL (File No. E128300) Listed  
Momentary types are not  
listed or approved



Mouser Stock No.	Type	Circuit
10TC930	SPDT	On-On*
10TC935	SPDT	On-Off-On*
10TC945	SPDT	(On)-Off-(On)
10TC960	DPDT	On-On*
10TC965	DPDT	On-Off-On*
10TC975	DPDT	(On)-Off-(On)

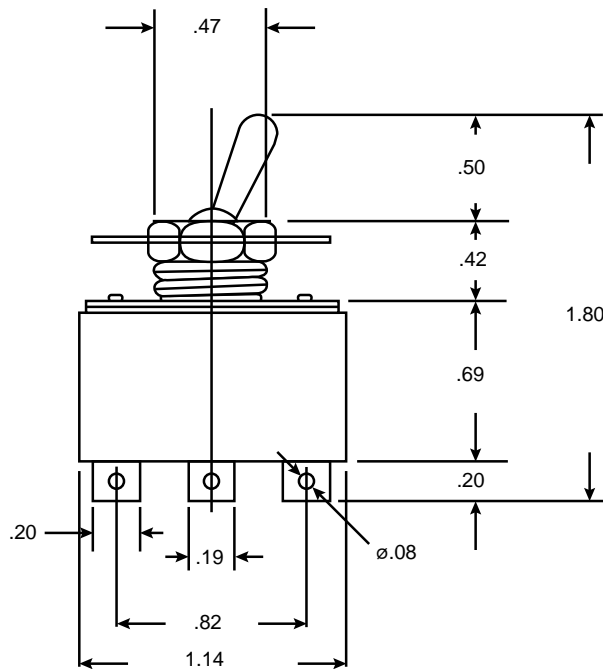
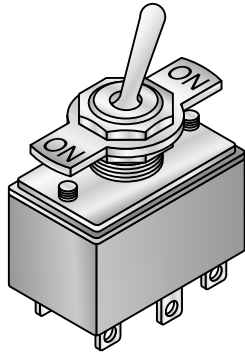


### Specifications:

- Resistance load: 6A @ 125VAC (3A @ 250VAC) 6A @ 30VDC
- Inductive load: 6A @ 125VAC (power factor .8) (3A @ 250VAC (P.F. .8)
- Mechanical life: over 30,000 operations (switching frequency 20 operations/minute)
- Electrical life: over 10,000 operations (same as above) (rated load)
- Insulation resistance: over 100MΩ (by 500VDC tester)
- Voltage breakdown: 1000VAC for 1 minute (between contact & case)
- Contact resistance: 20mΩ max.
- Ambient temperature: -10°C to +55°C
- Ambient humidity: 85% RH max.

Your source for quality electronics. Toll-free full service

**(800) 346-6873**

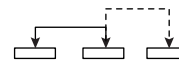
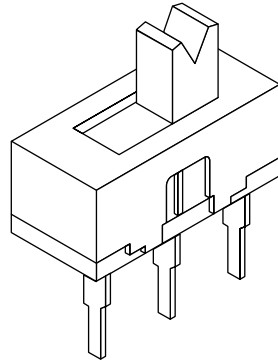


Dimensions (In.)

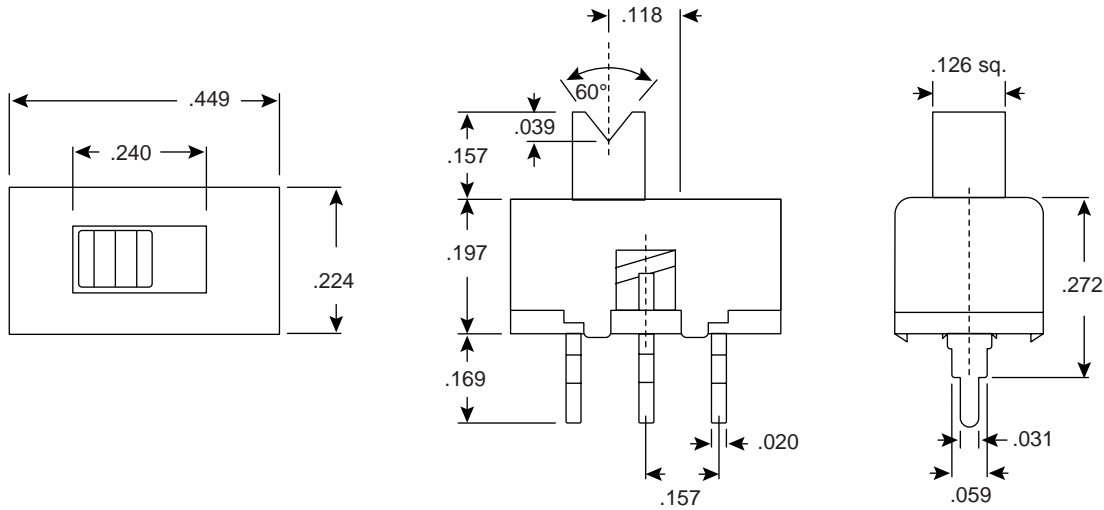
**Specifications:**

- Rating: 3A @ 125VAC
- Type: 6P (DPDT)
- Circuit: ON-ON
- Contact resistance: .20mΩ max. @ 1A
- Insulation resistance: 100MΩ min. @ 500VDC
- Breakdown test: 1,000VAC for a period of 1 min.

Your source for quality electronics. Toll-free full service  
**(800) 346-6873**



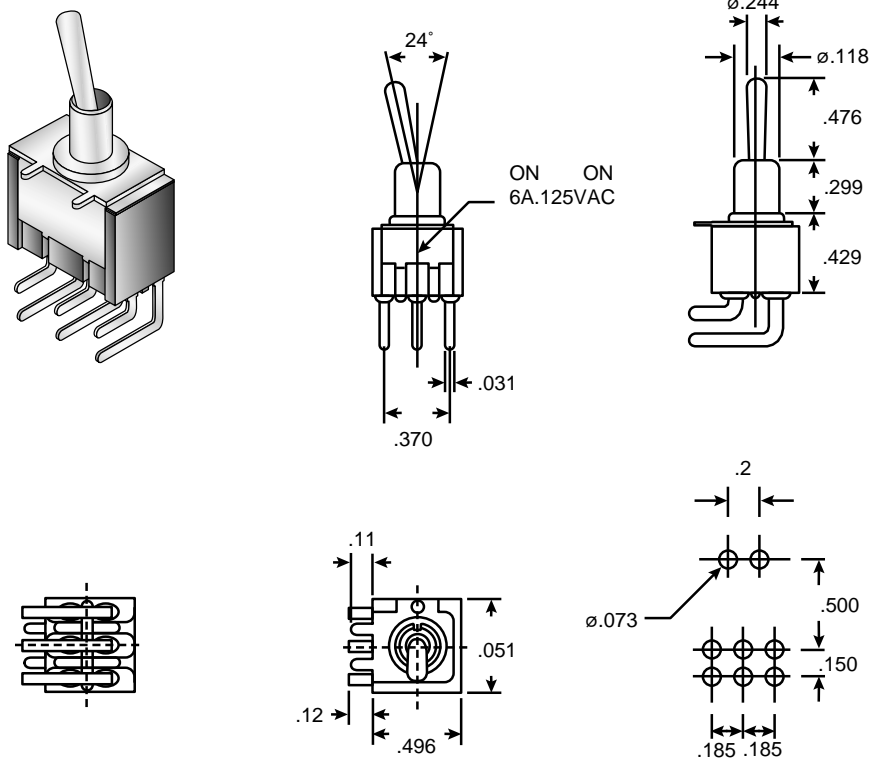
Circuit Diagram



Dimensions (In.)

**Specifications:**

- Circuit: SPDT on-on
- Rating: .5A @ 50VDC
- Contact resistance: 30mΩ max. (initial)
- Insulation resistance: 500MΩ @ 500VDC
- Withstand voltage: 500VAC for 1 minute
- Switching life: 10K cycles
- Plating: nickel



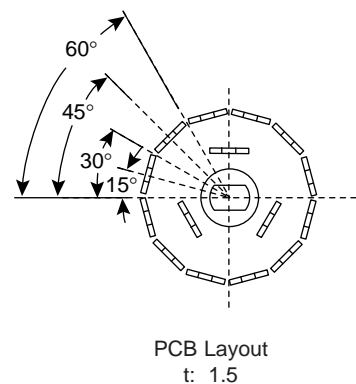
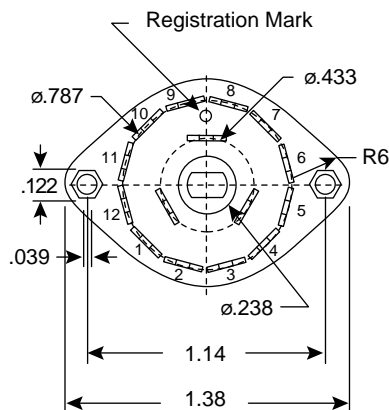
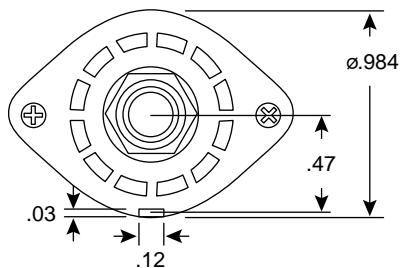
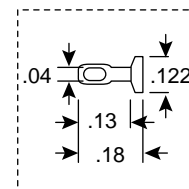
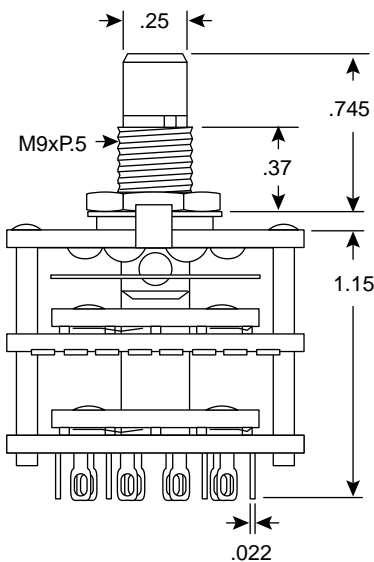
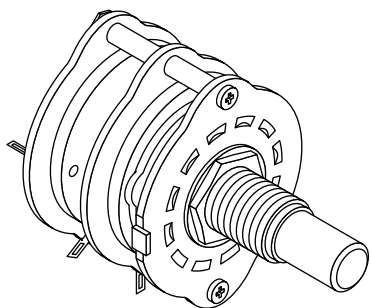
Dimensions (In.)

**Specifications:**

- Breakdown voltage: 1,000VAC for 1 min.
- Insulation resistance: 1,000mΩ (min.)
- Mechanical life: over 30,000 operations
- Electrical life: over 10,000 operations
- Right angle PC mount
- Rating: 6A / 125VAC, 3A / 250VAC
- Terminals: gold plated

Your source for quality electronics. Toll-free full service

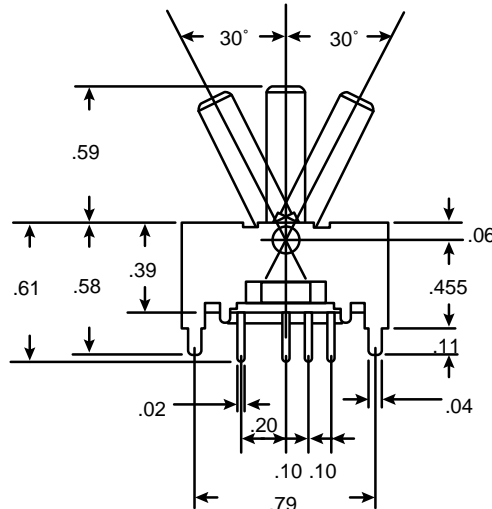
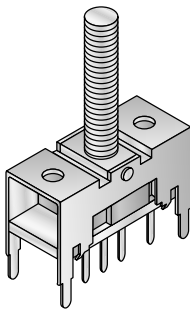
**(800) 346-6873**



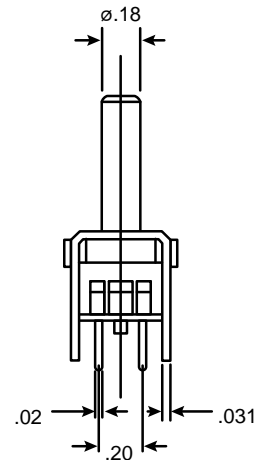
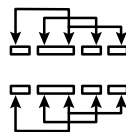
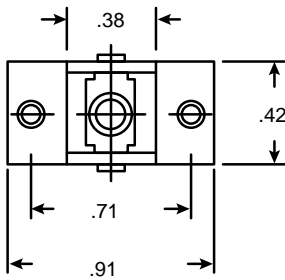
**Dimensions (In.)**

**Specifications:**

- Type: PC mount; shorting contact (make before break)
- Poles: 6
- Positions: 4
- Rating: 0.3A @ 125VAC
- Contact resistance: 30mΩ max. @ 1A
- Insulation resistance: 10MΩ @ 500VDC
- Withstand voltage: 500VDC for 1 minute
- Rotation torque: 1~3KG/cm
- Hardware included: 1 hexagon nut & 1 washer
- Shaft: 1/4"



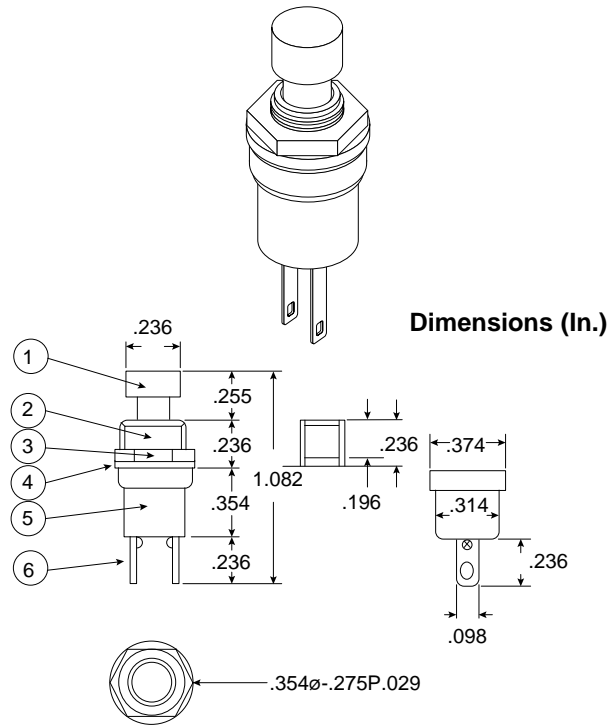
Dimensions (In.)



**Specifications:**

- Rating: .5A @ 50VDC
- Contact resistance: not more than 30mΩ (initial)
- Insulation resistance: 500MΩ @ 500VDC
- Withstand voltage: 500VAC for 1 min.
- Operation force: 450+ -150G
- Switching life: 10,000 cycles
- Contact material: phosphor bronze, silver plated
- Tolerance: ± .01
- Circuit: DP3T (3P) ON-ON-ON

Your source for quality electronics. Toll-free full service  
**(800) 346-6873**



**Specifications:**

- Rated power: 125VAC 1A
- Contact resistance: less than 1Ω @ 1ADC
- Insulation resistance: 500VDC 2mΩ or more
- Withstand voltage: 500VDC for 1 minute
- Push torque: 180GS
- Life cycle: more than 30,000 cycles (60/minute)
- Life time: more than 10,000 hrs
- Knob: ABS plastics
- Metal: nickel plated brass
- Nut: nickel plated steel
- Washer: copper wire, uni-chromate plated
- Body: molded black plastics
- Terminals: silver plated brass

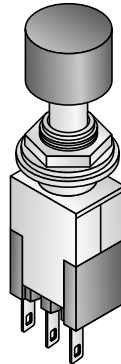
Mouser Stock No.	Circuit	Button Color
10PA010	Off-(On)	White
10PA011	Off-(On)	Green
10PA012	Off-(On)	Red
10PA013	Off-(On)	Black
10PA015	On-(Off)	Red
10PA016	On-(Off)	Black

Your source for quality electronics. Toll-free full service

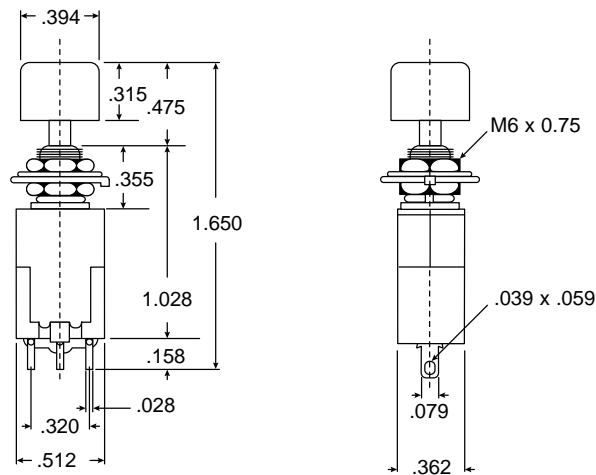
**(800) 346-6873**

<http://www.mouser.com>





Dimensions (In.)



**Specifications:**

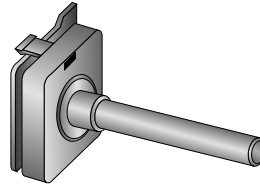
- Rating: 3A @ 125VAC
- Circuit: SPDT (2P) on-on
- Contact resistance: 20m $\Omega$  max. @ 2.5VDC and 1A
- Insulation resistance: 500VDC @ 100M $\Omega$  or more
- Voltage breakdown: 1,000VAC for 1 minute
- Button color: 10PP231 (red), 10PP232 (black)
- Body color: green

Your source for quality electronics. Toll-free full service

**(800) 346-6873**

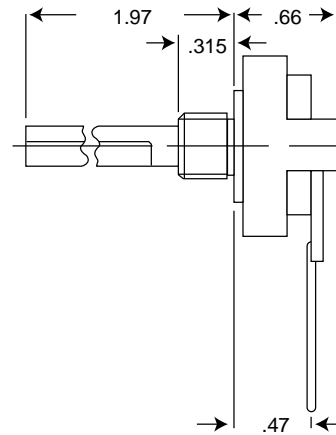
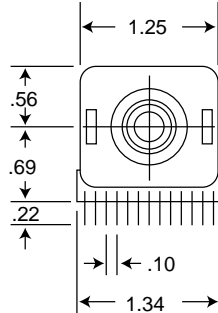
**Non-shorting (break-before-make)**

Mouser Stock No.	Poles	Positions
10WF101	1	2 - 12
10WF102	2	2 - 6
10WF103	3	2 - 4
10WF104	4	2 - 3

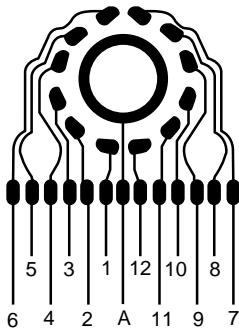


Complete with brass bushing, brass hex nut, lock washer and stop tab ring

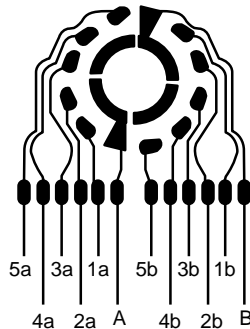
**Dimensions (In.)**



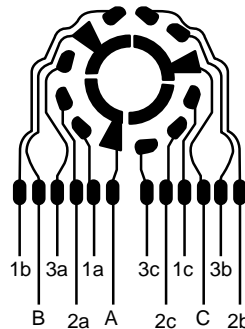
**PCB Mounting**



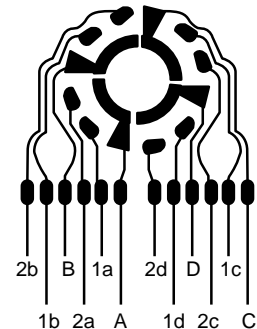
1 Pole 12 way 30°



2 Pole 5 way 30°



3 Pole 3 way 30°



4 Pole 2 way 30°

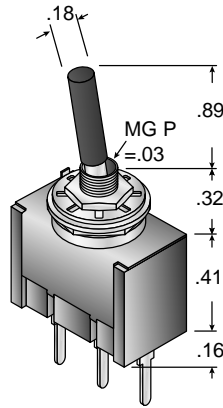
Housing and shaft molded of glass filled plastic to UL-V1. All contact surfaces are covered by a dust and moisture resistant plastic cover. Contact material is silver plated brass. Unique design features adjustable stops. The number of positions is user selectable. Makes it easy to match desired applications. Number of positions is user adjustable by the simple adjustment of tang washer provided.

**Specifications:**

- Current carrying capacity: 2A
- Contact rating: 0.5A
- Maximum working voltage: 250V
- Contact resistance: < 50mΩ
- Insulation resistance: > 500MΩ
- Proof voltage: 1,000V
- Life: 10,000 cycles
- Circuit board: glass fiber
- Housing: plastic moulding in flame retardant polyester
- Mounting bush: brass M10 x .75
- Indexing: 30°
- Torque: 700 to 2,500 gm/cm
- Stops: adjustable 2 - 12 positions
- Contacts: silver plated

Your source for quality electronics. Toll-free full service

**(800) 346-6873**



**Dimensions (In.)**

**Specifications:**

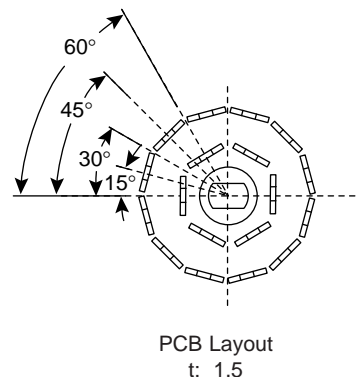
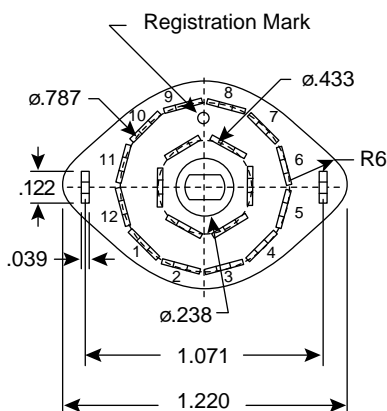
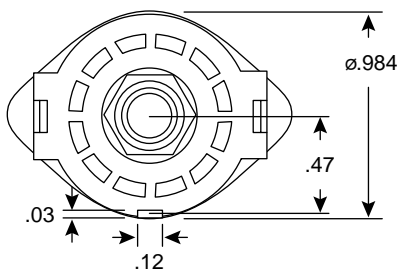
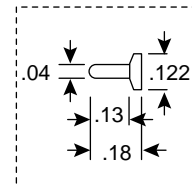
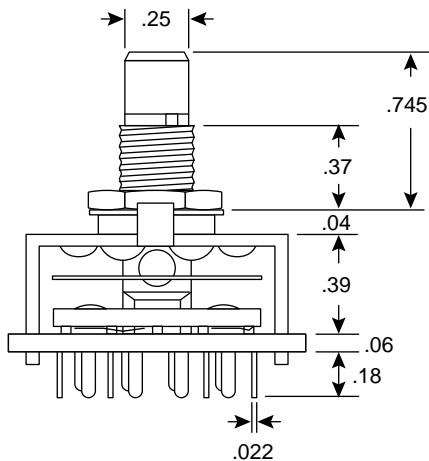
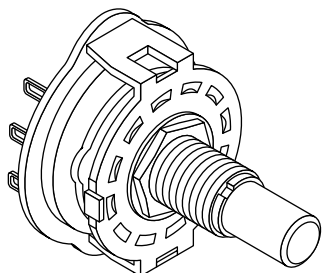
- Contact resistance: 20mΩ (Max.)
- Breakdown voltage: 1000 VAC for 1 Min.
- Insulation resistance: 100Ω (Min.)
- Shape of operation part: molded long black lever
- Color: black
- Rating: 6A/125 VAC, 3A/250 VAC
- Solder terminals: chrome plated brass

Mouser Stock No.	Type	Circuit
10TA120	SPST	On-Off
10TA130	SPDT	On-On
10TA135	SPDT	On-Off-On
10TA145	SPDT	(On)-Off-(On)
10TA160	DPDT	On-On
10TA165	DPDT	On-Off-On
10TA175	DPDT	(On)-Off-(On)

( )=Momentary Contact

Your source for quality electronics. Toll-free full service

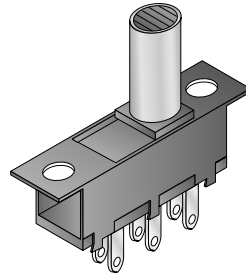
**(800) 346-6873**



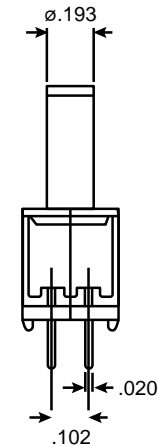
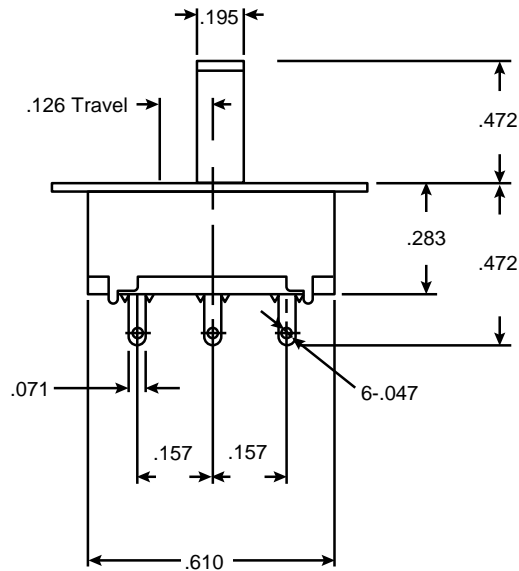
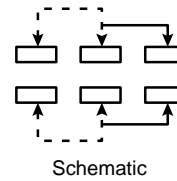
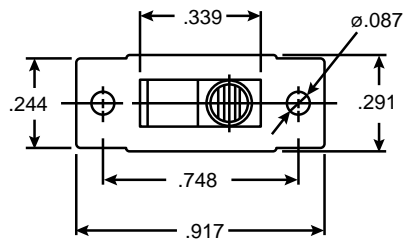
**Dimensions (In.)**

**Specifications:**

- Type: PC mount; non-shorting contact (break before make)
- Poles: 6
- Positions: 2
- Rating: 125VAC 0.3A
- Contact resistance: 30mΩ max.
- Insulation resistance: 100mΩ @ 500VDC min.
- Withstand voltage: 500VDC for 1 minute
- Rotation torque: 1.0+0.5KG/cm
- Hardware included: 1 hexagon nut & 2 washers
- Shaft: 3/8"
- Thread size: 3/8- 32NEF



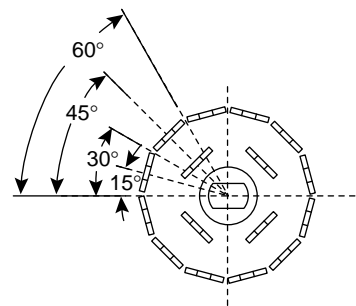
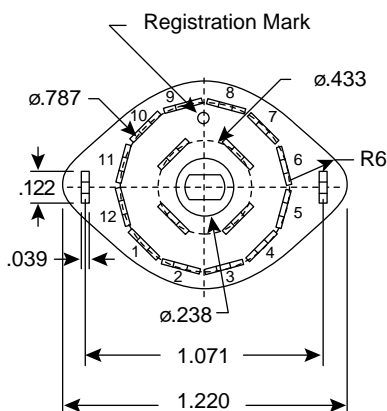
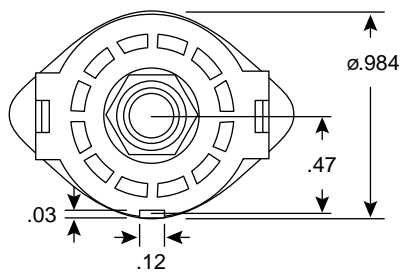
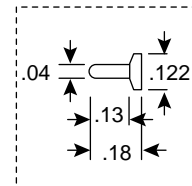
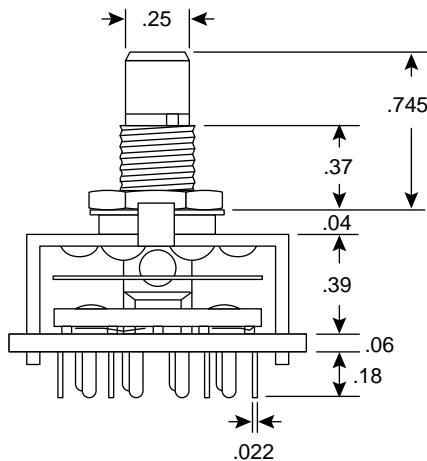
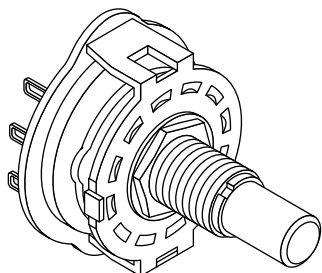
**Dimensions (In.)**



**Specifications:**

- Circuit: DPDT on-on
- Rating: .5A @ 50VDC
- Initial contact resistance: not more than 30m $\Omega$
- Insulation resistance: 500M $\Omega$  @ 500VDC
- Breakdown voltage: 500VAC for 1 minute
- Switching life: 10,000 cycles

Your source for quality electronics. Toll-free full service  
**(800) 346-6873**

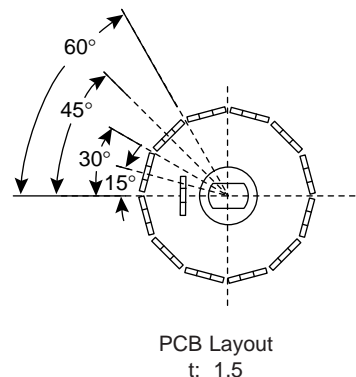
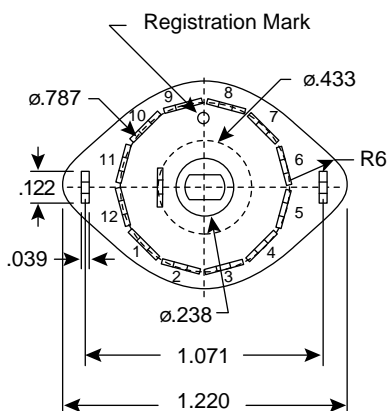
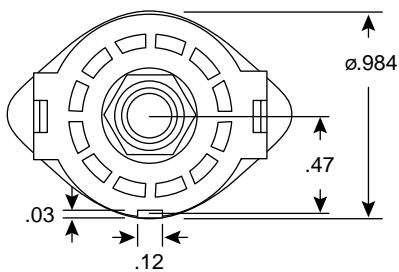
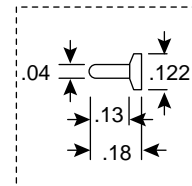
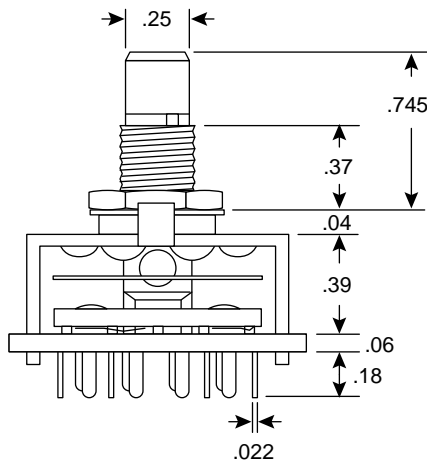
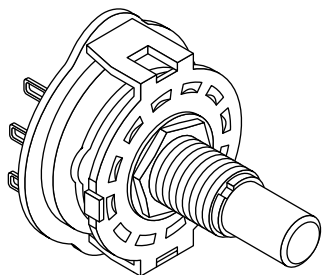


PCB Layout  
t: 1.5

**Dimensions (In.)**

**Specifications:**

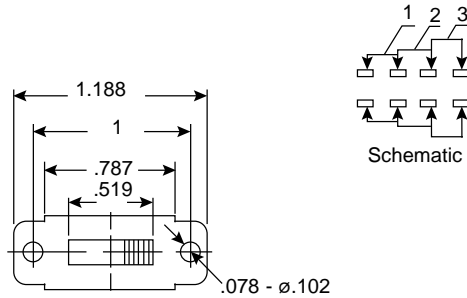
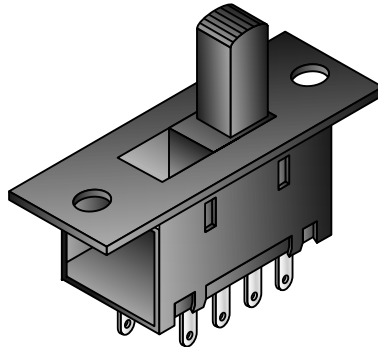
- Type: PC mount; non-shorting contact (break before make)
- Poles: 4
- Positions: 3
- Rating: 125VAC 0.3A
- Contact resistance: 30mΩ max.
- Insulation resistance: 100mΩ @ 500VDC min.
- Withstand voltage: 500VDC for 1 minute
- Rotation torque: 1.0+0.5KG/cm
- Hardware included: 1 hexagon nut & 2 washers
- Shaft: 3/8"
- Thread size: 3/8- 32NEF



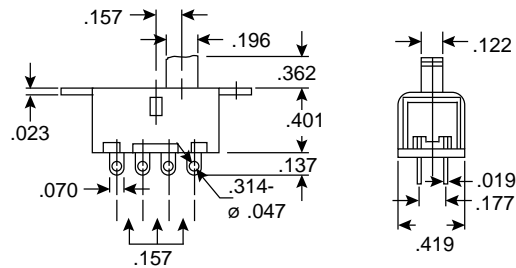
### Dimensions (In.)

#### Specifications:

- Type: PC mount; non-shorting contact (break before make)
- Poles: 1
- Positions: 8 (10YQ018), 10 (10YQ110), 12 (10YQ112)
- Rating: 125VAC 0.3A
- Contact resistance: 30mΩ max.
- Insulation resistance: 100mΩ @ 500VDC min.
- Withstand voltage: 500VDC for 1 minute
- Rotation torque: 1.0+0.5KG/cm
- Hardware included: 1 hexagon nut & 2 washers
- Shaft: 3/8"
- Thread size: 3/8- 32NEF



**Dimensions (In.)**

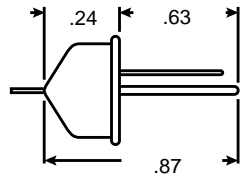


**Specifications:**

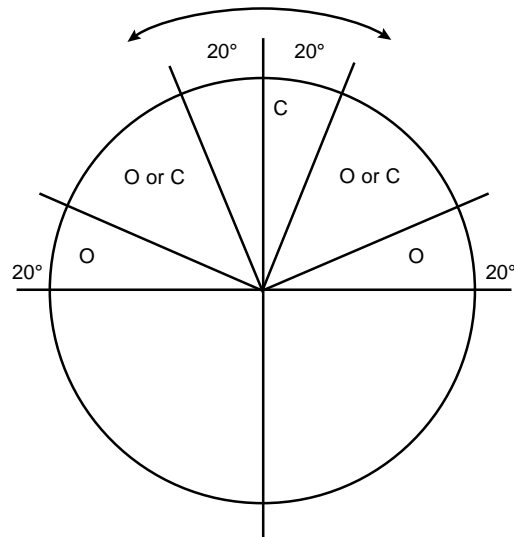
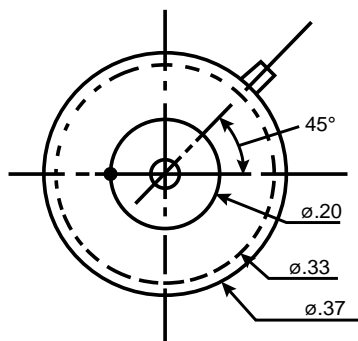
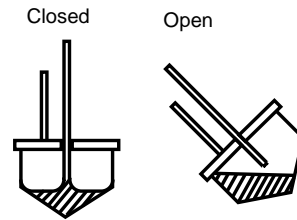
- Rating: 50VDC 0.5A
- Initial contact resistance: not more than 30mΩ
- Insulation resistance: 500MΩ at 500VDC
- Withstand voltage: 500VAC for 1 min.
- Switching life: 10,000 cycles (15-18 C/M unloading)

Your source for quality electronics. Toll-free full service  
**(800) 346-6873**





Dimensions (In.)



The Mouser mercury tilt-over switch is a unit for which the contact status depends on its position in space. It is designed with a symmetry in revolution which requires no other adjustment of its position than that which is defined in relation with the vertical stance. Applications are numerous and they amount to closing or opening an electrical contact which is related to the position of and object: end of run or of acceleration, alarm, lighting a lamp, etc.

### Technology

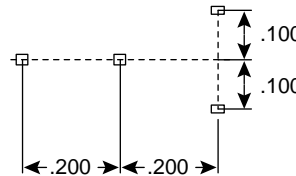
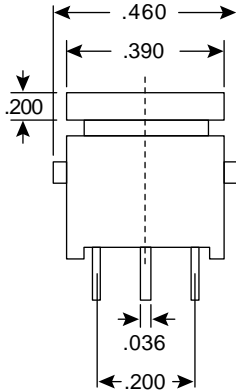
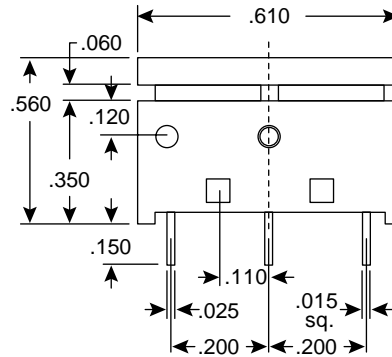
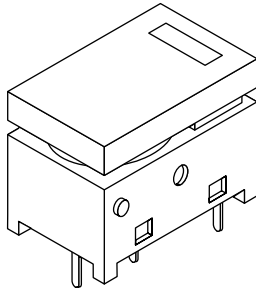
Mouser mercury tilt-over switches involves:

- the totally proven technology of semi-conductors in TO-5 metallic casing.
- The mastery of mercury surface tension phenomena.
- A mercury/mercury contact enables noise free very low level switching.
- A reducing gas under high pressure which provides a high grade of dielectric strength.

### Electrical Characteristics (@ 20C):

- Max. switching power: 50VA
- Max. switching voltage: 250VAC/VDC
- Max. switching current: 0.5A
- Contact resistance in vertical position (under 20mA, 1.5mA, 1000Hz frequency): 200mΩ
- Isolation in 90° position (under 100VDC): 10MΩ
- Vibration resistance, 5 to 50 Hz: 0.5g  
50 to 1000Hz: 3.5g

Your source for quality electronics. Toll-free full service  
**(800) 346-6873**

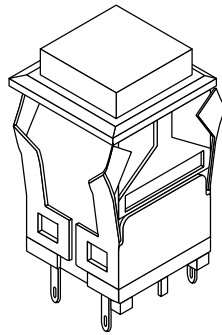


### Dimensions (In.)

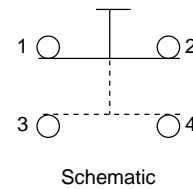
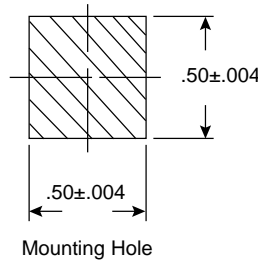
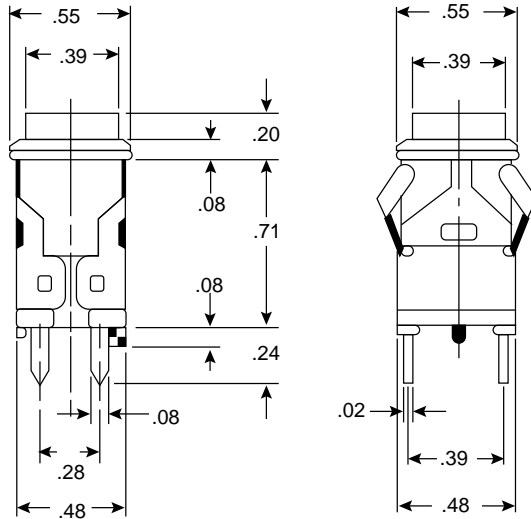
#### Specifications:

- Type: miniature; illuminated
- Circuit: 2P SPST off-(on)
- Rating: 1A @ 125VDC
- LED reverse voltage: 4V
- LED forward voltage (IF - 20mA): 2.1V
- LED forward current: 254mA
- Terminals: PC

Mouser Stock No.	Color	
	LED	Button
107-6610	Red	Black
107-6611	Red	Gray
107-6612	Green	Black
107-6613	Green	Gray
107-6614	Yellow	Black
107-6615	Yellow	Gray



**Dimensions (In.)**



**Specifications:**

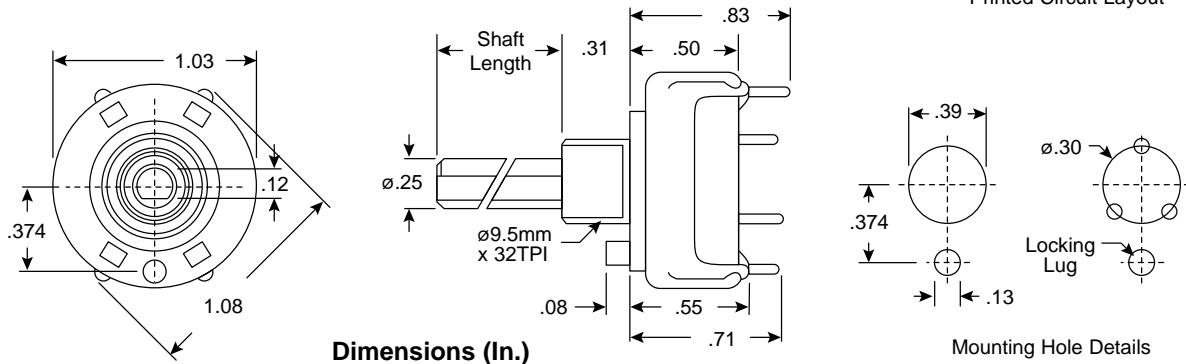
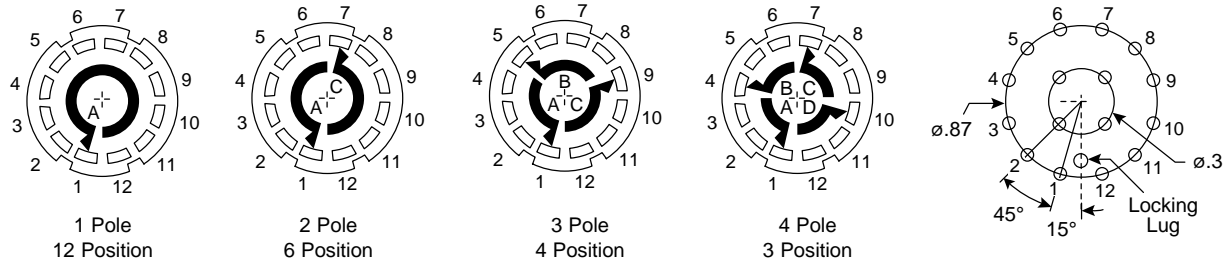
- Rating: .1A @ 30VDC
- Insulation resistance: 500MΩ
- Breakdown voltage: >500VAC
- Contact resistance: 20mΩ max
- Temperature: Ta=25°C
- Reverse voltage: 3V max
- Forward voltage: VF(IF=10mA) 2.5V max
- Forward current: 30mA
- Approval current: 20mA
- Voltage: 12V
- Current: 50mA
- Average life: 10,000H
- Function: alternating DPST

Mouser Stock No.	Color	Type	Volts	Circuit	
				Up Pos	Down Pos
107-MS800ELR	Red	Led	2V	On - Off	Off - On
107-MS800ELG	Green	Led	2V	On - Off	Off - On
107-MS800ELY	Yellow	Led	2V	On - Off	Off - On
107-MS800EFR	Red	Lamp	12V	On - Off	Off - On
107-MS800EFG	Green	Lamp	12V	On - Off	Off - On
107-MS800EFY	Yellow	Lamp	12V	On - Off	Off - On
107-MS800FLR	Red	Led	2V	On - Off	(Off) - (On)
107-MS800FLG	Green	Led	2V	On - Off	(Off) - (On)
107-MS800FLY	Yellow	Led	2V	On - Off	(Off) - (On)
107-MS800FFR	Red	Lamp	12V	On - Off	(Off) - (On)
107-MS800FFG	Green	Lamp	12V	On - Off	(Off) - (On)
107-MS800FFY	Yellow	Lamp	12V	On - Off	(Off) - (On)

Your source for quality electronics. Toll-free full service

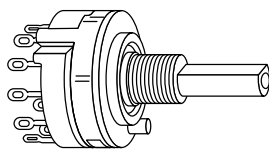
**(800) 346-6873**

<http://www.mouser.com>

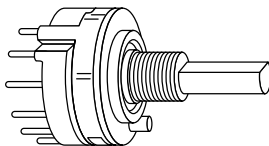


**Specifications:**

- Molding material: glass filled nylon
- Working voltage: 300VAC or 300VDC max.
- Breakdown voltage: 1,000VAC @ 25°C
- Current capacity: 5A continuous
- Index angle: 30°
- Contact rating: .35A @ 110VAC or DC  
.15A @ 250VAC or DC
- Contact resistance: 50mΩ max.
- Contact life: Over 10,000 operations
- Contacts: .0001" silver plating, fully enclosed
- Operating torque (nominal): 5.6 Ncm
- End stop torque (minimum): 1.13 Nm
- Use tang washer provided to adjust number of positions
- Shaft: 66 36/33% glass filled nylon, can be cut to any length
- Heat stabilized: A 1925 (ICI N°)



Solder Lug Terminals



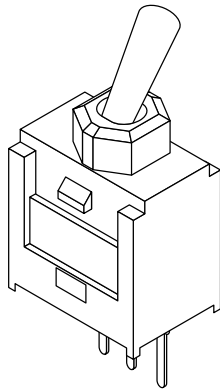
Printed Circuit Terminals

Mouser Stock Number				Poles	Maximum Positions	Shaft Length in Inches
Solder Terminals		P.C. Terminals				
Shorting	Non-shorting	Shorting	Non-shorting			
10WA324	10WA124	10WA344	10WA144	1	12	1 3/16
10WA325	10WA125	10WA345	10WA145	2	6	1 3/16
10WA326	10WA126	10WA346	10WA146	3	4	1 3/16
10WA327	10WA127	10WA347	10WA147	4	3	1 3/16
10WA364	10WA164	...	10WA134	1	12	1/2
10WA365	10WA165	...	10WA135	2	6	1/2
10WA366	10WA166	...	10WA136	3	4	1/2
10WA367	10WA167	...	10WA137	4	3	1/2
10WA354	10WA154	...	10WA174	1	12	3/8
10WA355	10WA155	...	10WA175	2	6	3/8
10WA356	10WA156	...	10WA176	3	4	3/8
10WA357	10WA157	...	10WA177	4	3	3/8

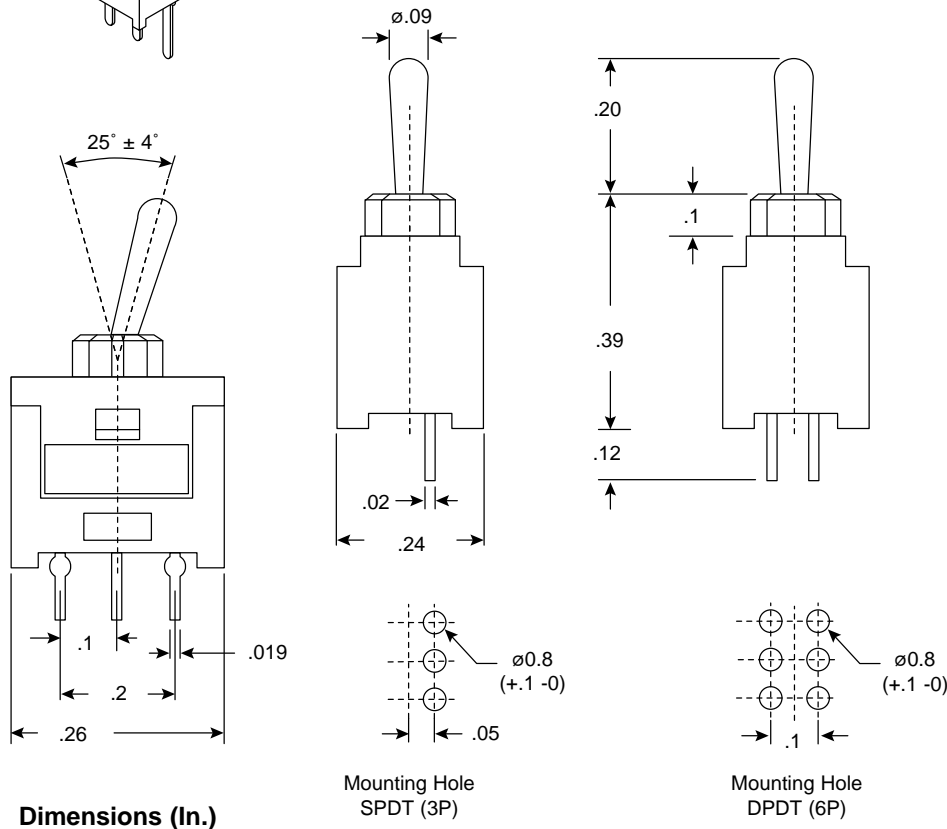
Your source for quality electronics. Toll-free full service.

**(800) 346-6873**

<http://www.mouser.com>



Mouser Stock No.	Type	Circuit
108-MS200A-11	SPDT	On-On
108-MS200C-11	SPDT	On-Off-On
108-MS200F-11	DPDT	On-On
108-MS200H-11	DPDT	On-Off-On



**Specifications:**

- Rating: 0.4VA, 28VAC or DC
- Contact resistance: 50mΩ (max.)
- Insulation resistance: 1000MΩ (min.)
- Voltage breakdown: 500VAC for 1 minute
- Operating life: 100,000 cycles

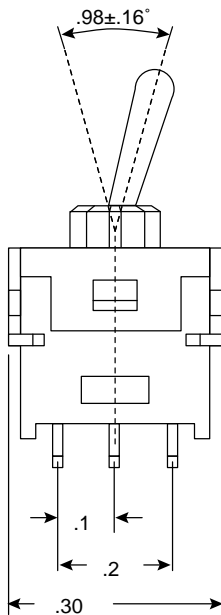
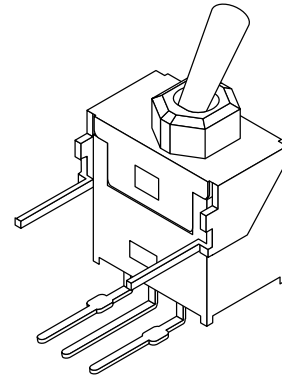
- Operating temperature: -20°C ~ +80°C
- Lever: metal
- Easily installed on PC boards
- Water resistant & dust proof
- Solderable @ 270°C within 5 seconds or 350° within 3 seconds

Your source for quality electronics. Toll-free full service

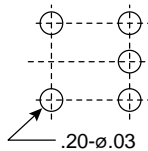
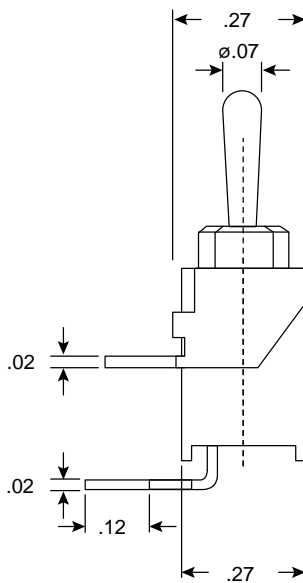
**(800) 346-6873**

<http://www.mouser.com>

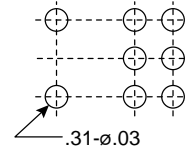
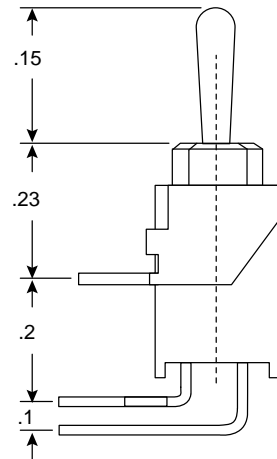
Mouser Stock No.	Type	Circuit
108-MS200A-22	SPDT (3P)	On-On
108-MS200C-22	SPDT (3P)	On-Off-On
108-MS200F-22	DPDT (6P)	On-On
108-MS200H-22	DPDT (6P)	On-Off-On



Dimensions (In.)



Mounting Hole  
SPDT (3P)



Mounting Hole  
DPDT (6P)

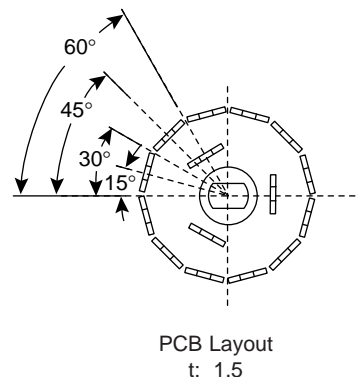
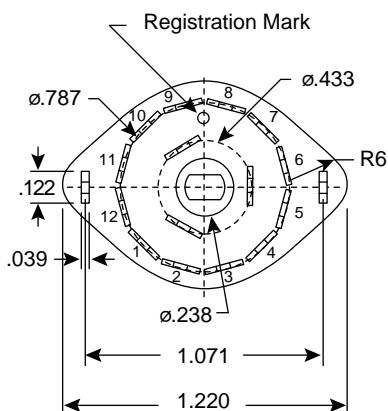
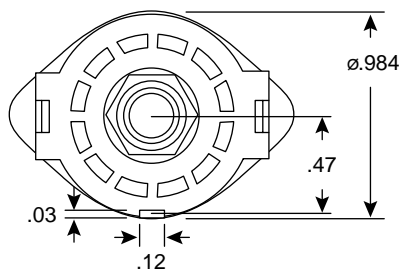
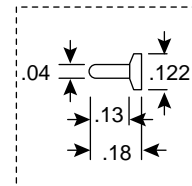
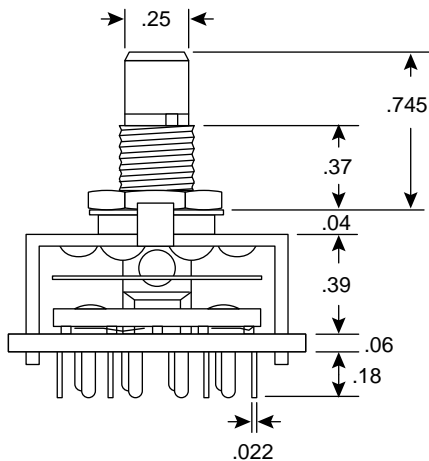
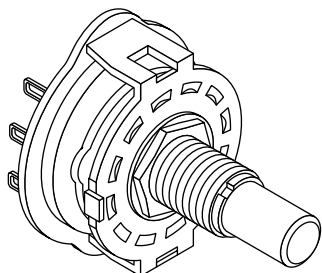
**Specifications:**

- Rating: 0.4VA, 28VAC or DC
- Contact resistance: 50mΩ (max.)
- Insulation resistance: 1000MΩ (min.)
- Operating temperature: -20°C ~ +80°C
- Operating life: 100,000 cycles
- Breakdown voltage: 500VAC @ 50/60Hz for 1 minute within 3 seconds
- Lever: plastic
- Easily installed on crowded PC boards
- Ultra miniature & light weight
- Water resistant & dust proof
- Solderable @ 270°C within 5 seconds or 350°C

Your source for quality electronics. Toll-free full service

**(800) 346-6873**

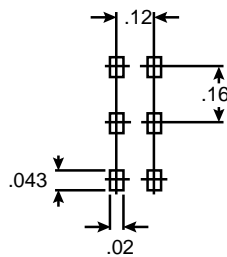
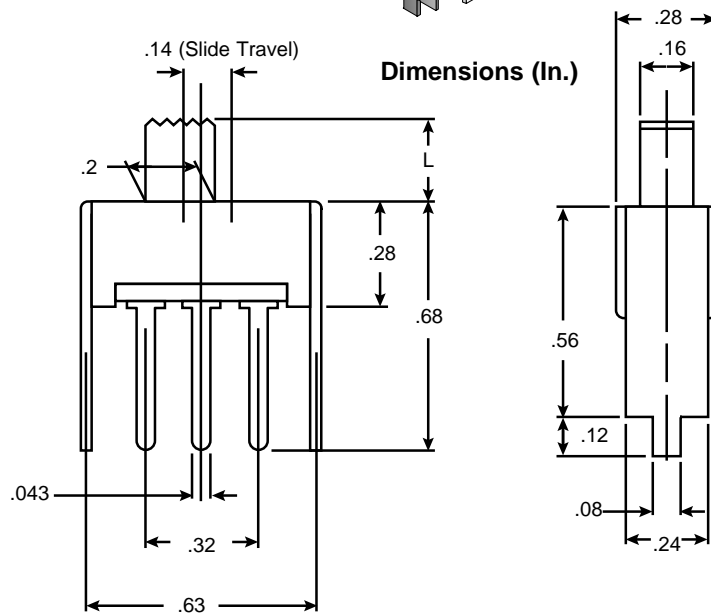
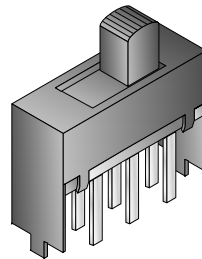
<http://www.mouser.com>



**Dimensions (In.)**

**Specifications:**

- Type: PC mount; non-shorting contact (break before make)
- Poles: 3
- Positions: 4
- Rating: 125VAC 0.3A
- Contact resistance: 30mΩ max.
- Insulation resistance: 100mΩ @ 500VDC min.
- Withstand voltage: 500VDC for 1 minute
- Rotation torque: 1.0+0.5KG/cm
- Hardware included: 1 hexagon nut & 2 washers
- Shaft: 3/8"
- Thread size: 3/8- 32NEF



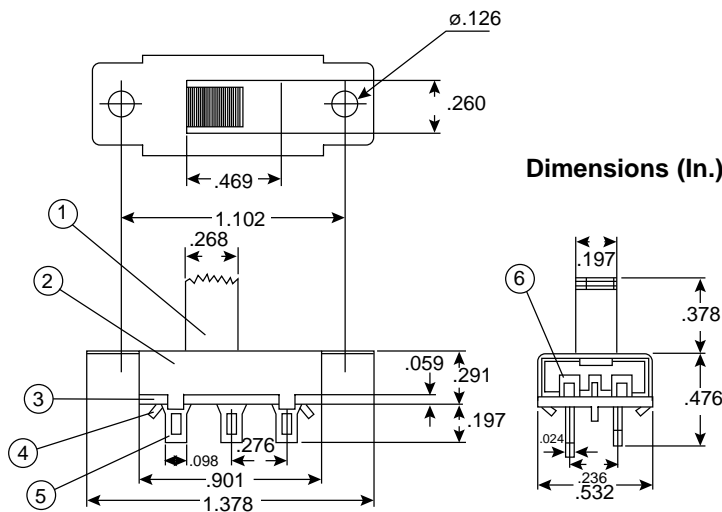
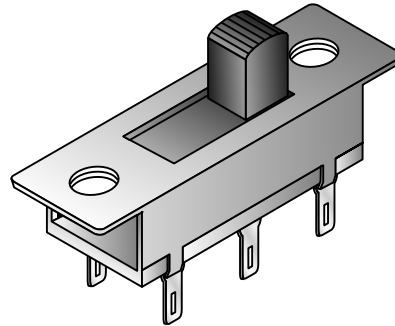
**Specifications:**

- Rating: .3A @ 125V
- Type: DPDT
- Circuit: on-on
- 10SP002: L = .24 inches
- 10SP004: L = .47 inches

Your source for quality electronics. Toll-free full service

**(800) 346-6873**





**Specifications:**

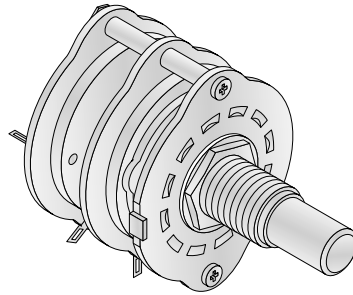
- Rating power: 125VAC 0.5A
- Contact resistance: 20mΩ max @ 20VDC
- Insulation resistance: 100MΩ min @ 500VDC
- Withstand voltage: 1500VAC / 1 minute
- Torque: 300 ± 150 grs
- Circuit: DPDT

1	Slider (knob)	Phenol
2	Case	Chromate plated steel
3	PCB	Phenol board
4	Spring	Piano wire
5	Terminals	Silver plated brass
6	Contact	Silver plated phosphor bronze

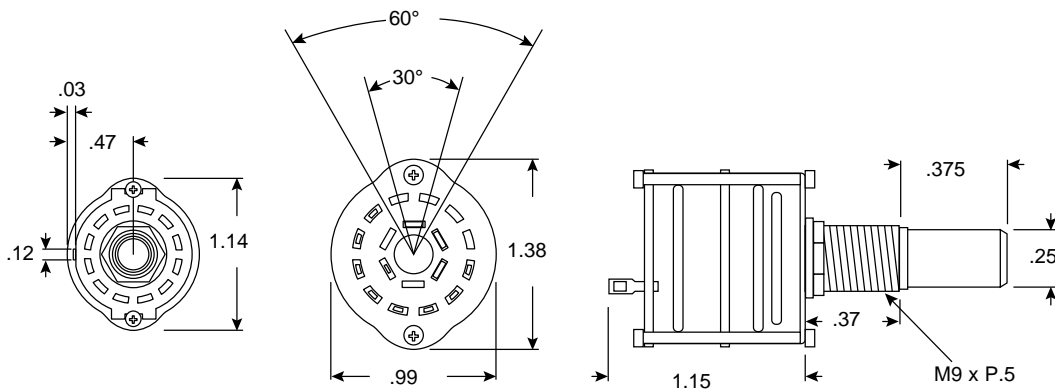
Your source for quality electronics. Toll-free full service

**(800) 346-6873**

<http://www.mouser.com>



Dimensions (In.)

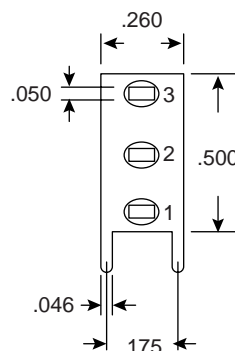
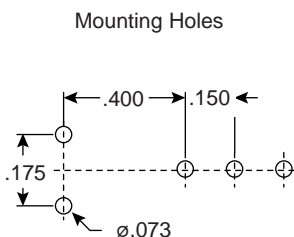
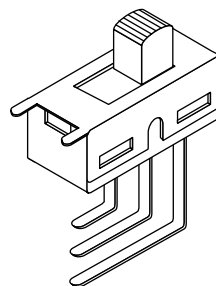
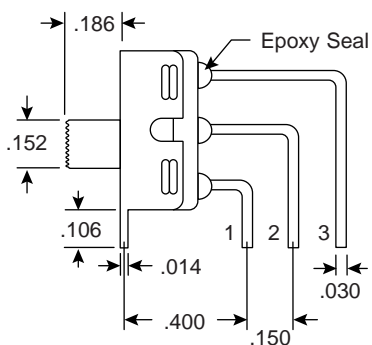


**Specifications:**

- Contact rating: .3A @ 125VAC
- Contact resistance: 30mΩ @ 1A
- Contact timing: make before break (shorting)
- Breakdown voltage: 500VAC for 60 seconds
- Insulation resistance: 10MΩ @ 500VDC
- Rotational torque: 1 to 3 Kg / Cm

Mouser Stock No.	Poles	Positions
10WR027	2	7
10WR212	2	12
10WR045	4	5
10WR046	4	6
10WR064	6	4
10WR083	8	3
10WR122	12	2

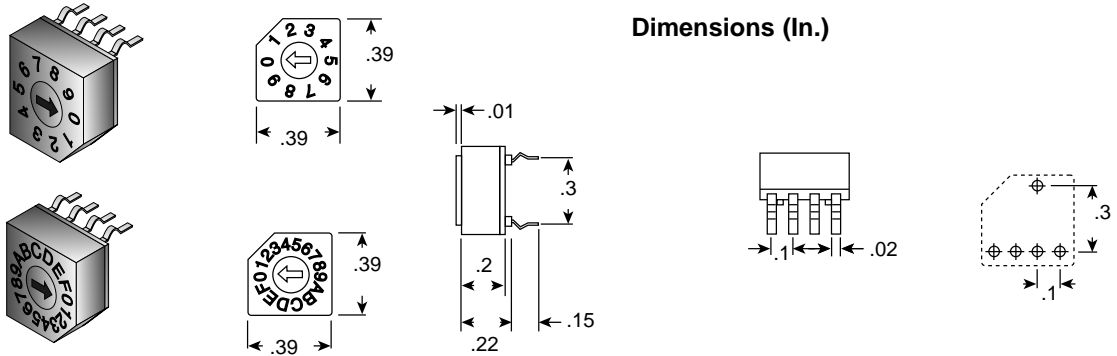
Your source for quality electronics. Toll-free full service  
**(800) 346-6873**



### Dimensions (In.)

#### Specifications:

- Type: SPDT; On-On
- Contact rating: 5A with resistive load @ 120VAC or 28VDC; 2A with resistive load @ 250VAC
- Contact resistance: 10m $\Omega$  max. initially
- Electrical life: 30,000 actuations @ full load
- Insulation resistance: 1000M $\Omega$  min.
- Dielectric strength: 1,000V RMS @ sea level
- Operating temperature: -30°C~+85°C
- Case: diallyl phthalate (DAP)
- Housing: stainless steel
- Slide handle: nylon
- End terminals: silver plated coin silver
- Center contacts & body: silver plated brass



Dimensions (In.)

**Specifications:**

- Rating: 50VDC @ 100mA (non-switching)  
5VDC @ 100mA (switching)
- Contact resistance: 100mΩ (max.)
- Breakdown voltage: 250VAC
- Insulation resistance: 1000MΩ (min.)
- Gold plated contacts
- Dielectric strength: 250VAC for 1 minute
- Temperature range: -20°C to +70°C
- Max. soldering temp.: 260°C for 5 seconds

Mouser Stock No.	No. of Positions	Code Configuration
106-MS830-10RS	10 (B)	True binary-coded decimal
106-MS830-10CS	10 (D)	Comp. binary-coded decimal
106-MS830-16RS	16 (A)	True binary-coded hexadecimal
106-MS830-16CS	16 (C)	Comp. binary-coded hexadecimal

**True**

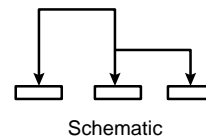
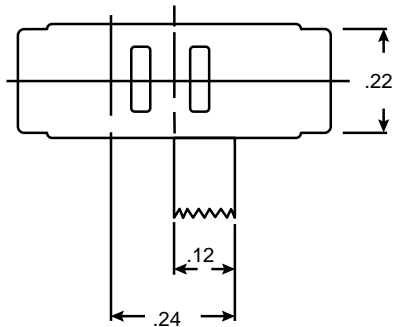
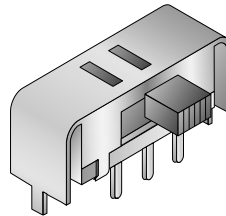
Mouser Stock No.	Position	Code			
		1	2	4	8
(A) (B)	0				
	1	•			
	2		•		
	3	•	•		
	4			•	
	5	•		•	
	6		•	•	
	7	•	•	•	
	8				•
	9	•			•
	A		•		•
	B	•	•		•
	C			•	•
	D	•		•	•
	E		•	•	•
	F	•	•	•	•

**Compliment**

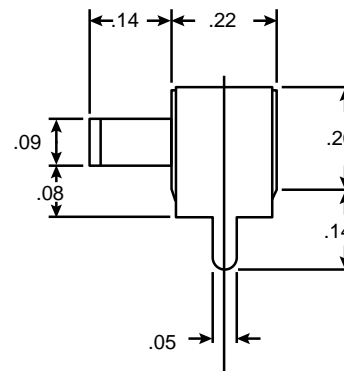
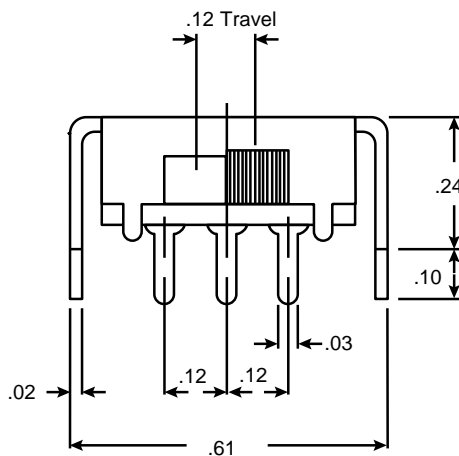
Mouser Stock No.	Position	Code			
		1	2	4	8
(C) (D)	0	•	•	•	•
	1		•	•	•
	2	•		•	•
	3			•	•
	4	•	•		•
	5		•		•
	6	•			•
	7				•
	8	•	•	•	
	9		•	•	
	A	•		•	
	B			•	
	C	•	•		
	D		•		
	E	•			
	F				

Your source for quality electronics. Toll-free full service

**(800) 346-6873**



**Dimensions (In.)**



**Specifications:**

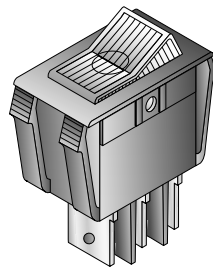
- Rating: .5A @ 50VDC
- Initial contact resistance: not more than 30mΩ
- Insulation resistance: 500MΩ @ 500VDC
- Withstand voltage: 500VAC for 1 minute
- Switching life: 10,000 cycles (15-18 C/M unloading)

**Material Specifications:**

- Shell: nickel plated steel
- Knob: duracon plastic
- Terminals: silver plated brass
- Contacts: silver plated phosphor bronze
- Base: phenolic board

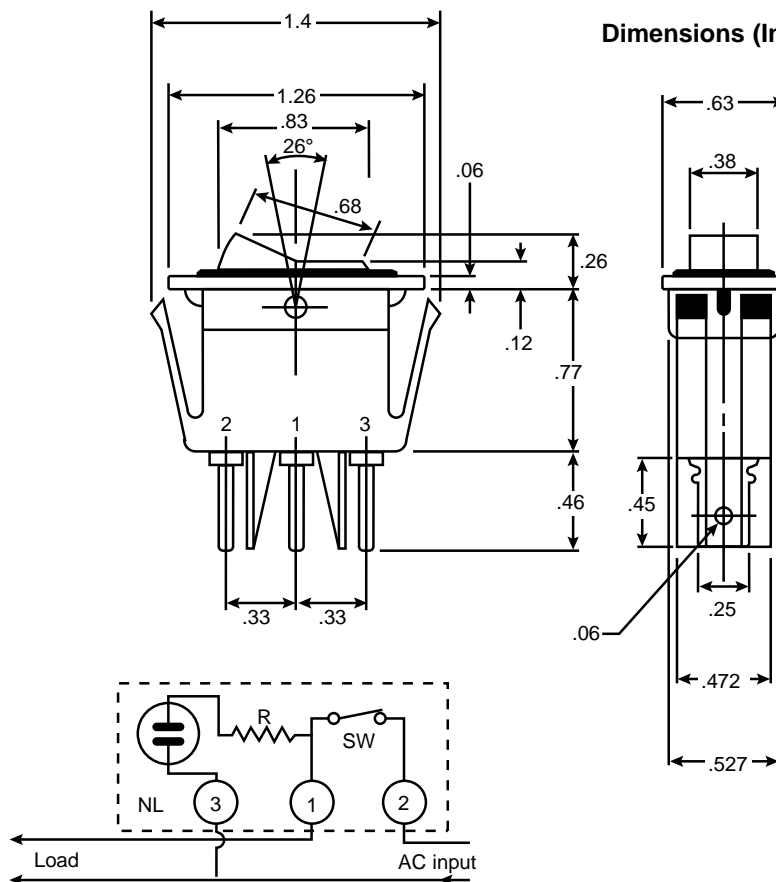
Your source for quality electronics. Toll-free full service

**(800) 346-6873**



With Neon Lamp

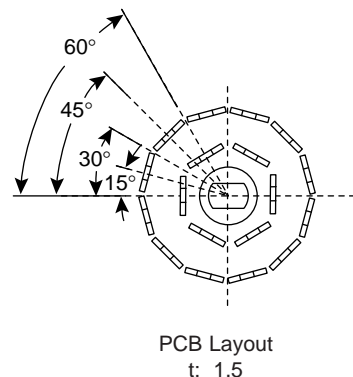
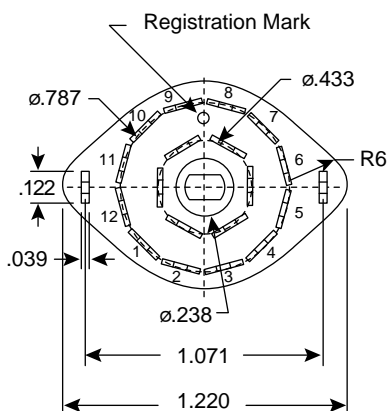
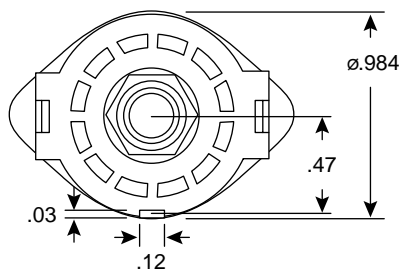
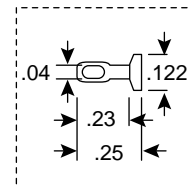
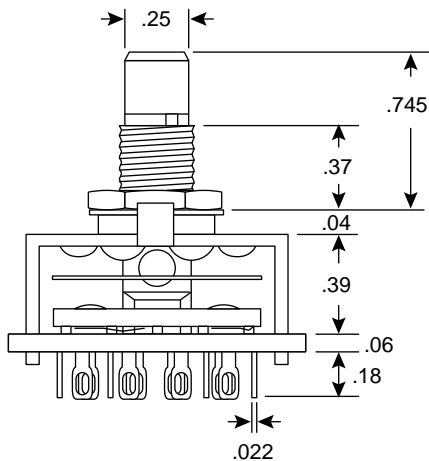
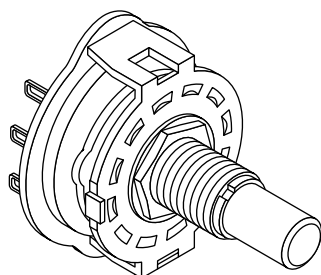
Dimensions (In.)



**Specifications:**

- Circuit: 2P SPST
- Switching function: on-off
- Rating: 15A @ 125VAC
- Contact resistance: 20mΩ (max)
- Insulation resistance: 100MΩ (min.) @ 500VDC
- Voltage breakdown: 1000VAC for 1 minute
- Color: clear orange
- Mounting hole: 1.122 x .535
- UL listed

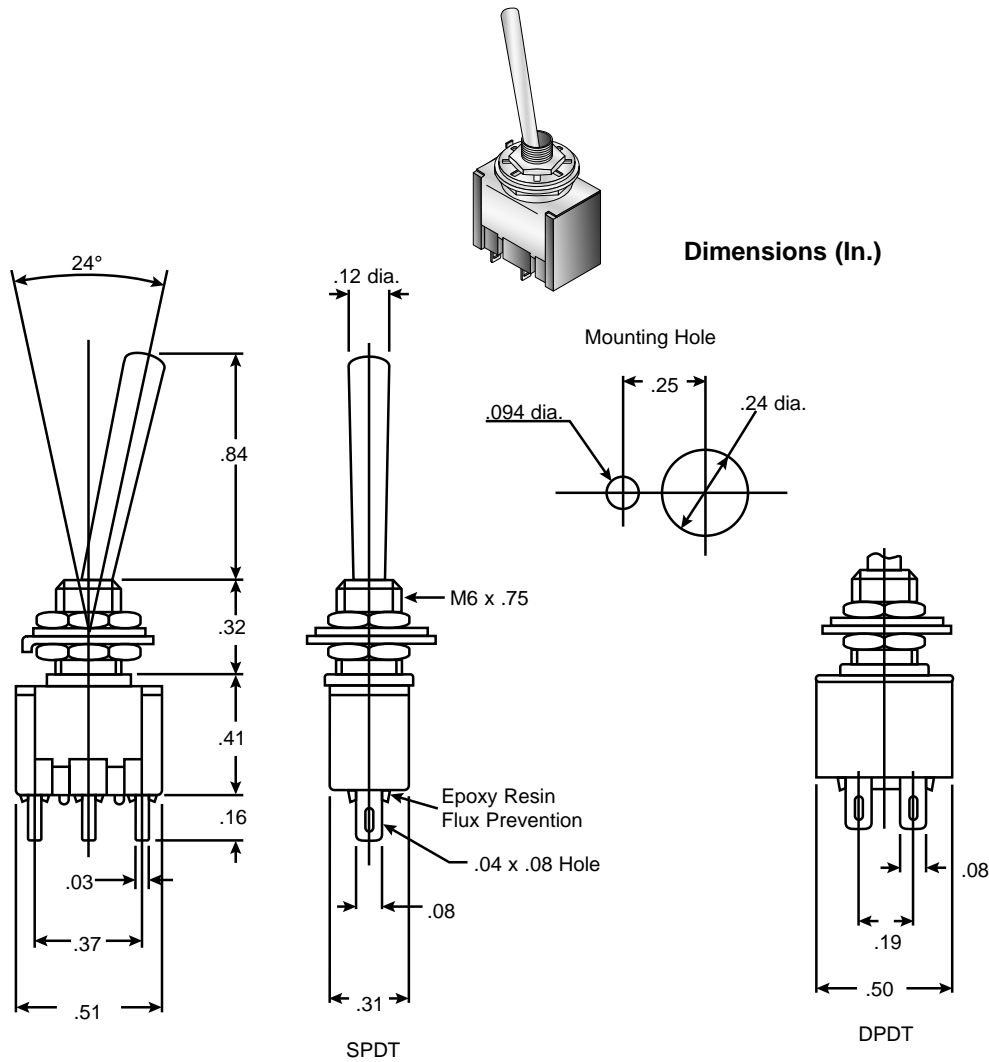
Your source for quality electronics. Toll-free full service  
**(800) 346-6873**



### Dimensions (In.)

### Specifications:

- Type: shorting contact (make before break)
- Poles: 6
- Positions: 2
- Rating: 0.3A @ 125VAC
- Contact resistance: 30mΩ max. @ 1A
- Insulation resistance: 10MΩ @ 500VDC min.
- Withstand voltage: 500VAC for 1 minute
- Rotation torque: 1~3KG/cm
- Hardware included: 1 hexagon nut & 2 washers
- Shaft: 1/4"
- Thread size: 3/8- 32NEF



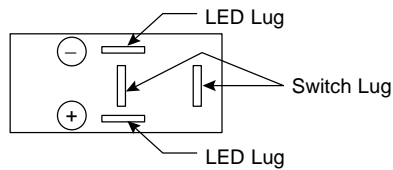
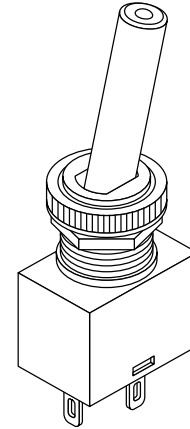
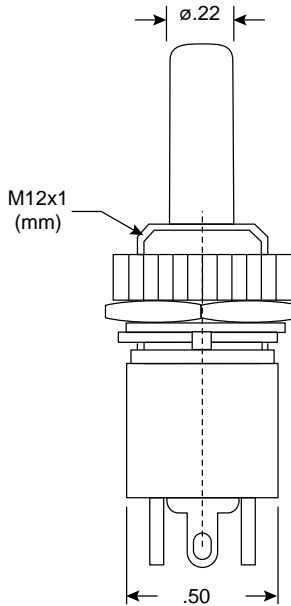
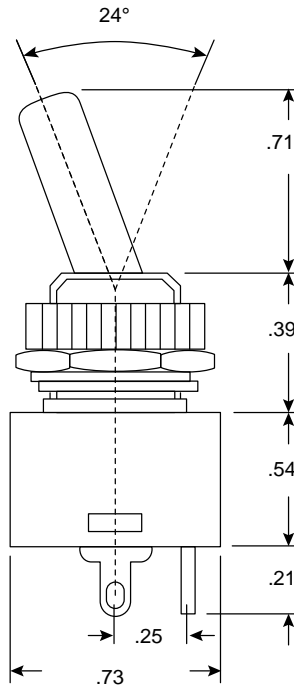
**Specifications:**

- Rating: 6A @ 125VAC
- Contact resistance: 20mΩ (max.)
- Insulation resistance: 100MΩ (min.) @ 500VDC
- Voltage breakdown: 1000VAC for 1 minute

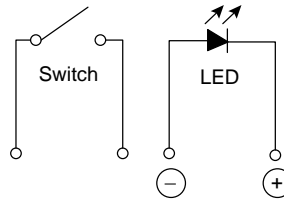
Mouser Stock No.	Type	Circuit
10TA420	SPST	On-Off
10TA430	SPDT	On-On
10TA435	SPDT	On-Off-On
10TA445	SPDT	(On)-Off-(On)
10TA460	DPDT	On-On
10TA465	DPDT	On-Off-On
10TA475	DPDT	(On)-Off-(On)

Your source for quality electronics. Toll-free full service  
**(800) 346-6873**





Bottom View of Switch  
LED on separate circuit



Schematic of 10TR414

**Specifications:**

- Contact resistance: 20mΩ @ 2.5VDC
- Insulation resistance: 100MΩ @ 500VDC
- Voltage breakdown: 1000VAC for 1 minute
- Lever: brushed aluminum
- Rating: 3A/125VAC
- Solder terminals

**Dimensions (In.)**

Mouser Stock No.	Color	Type	Circuit	Mounting Hole	Voltage (VDC)
10TR414	Red	SPST	On-Off	.484	1.7
10TR415	Green	SPST	On-Off	.484	2.0
10TR416	Red	SPDT	On-On	.484	1.7
10TR417	Green	SPDT	On-On	.484	2.0

**Absolute Maximum Ratings (LED Data)**

IF=20mA, Ta=25°C

Color	IF(mA)	VR(V)	P(mW)	Color	VP(V)		Cd(mcd)	
					Typ	Max	Min	Typ
Red	40	4	80	Red		1.7		2.1
Green	30	4	85	Green		2.0		1.4

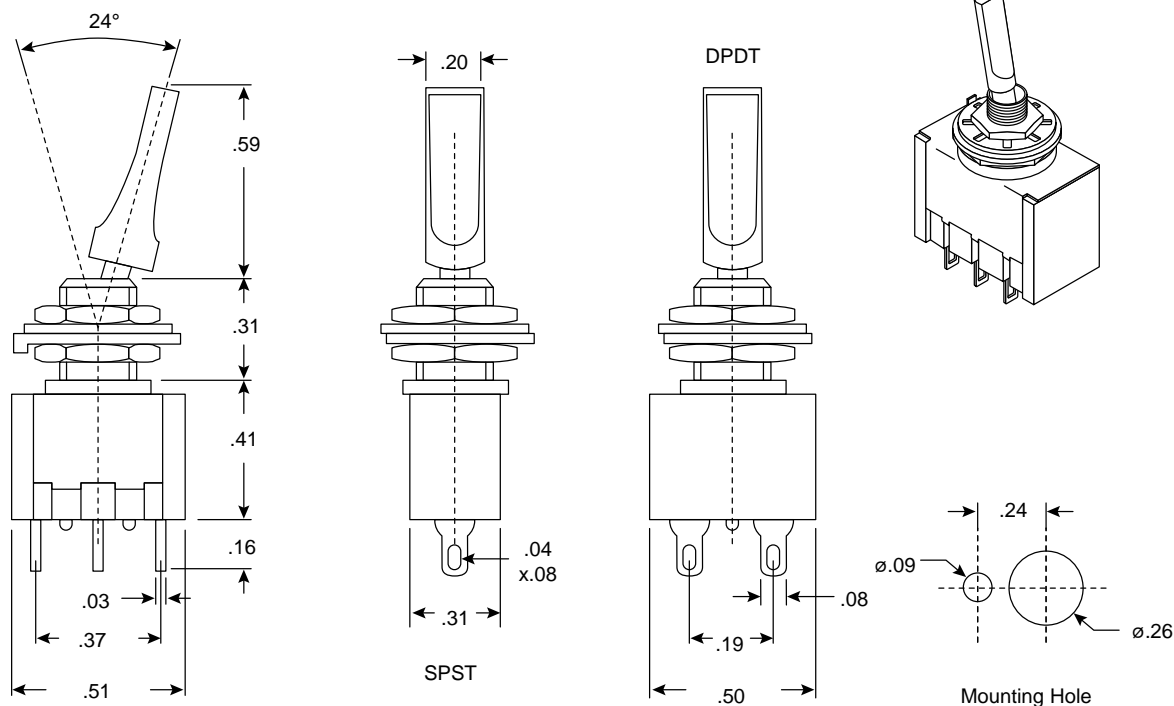
Your source for quality electronics. Toll-free full services

**(800)346-6873**

<http://www.mouser.com>



File No. (E128300)



Dimensions (In.)

**Specifications:**

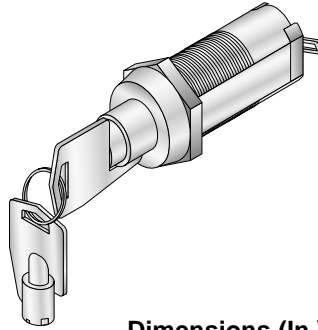
- Resistance load: 6A/125VAC, 3A/250VAC, 6A/30VDC
- Inductive load: 6A/125VAC, 3A/250VAC (PF 0.8)
- Mechanical life: over 30,000 operations
- Switching frequency: 20 operations/minute
- Electrical life: over 10,000 operations
- Installation resistance: over 100M $\Omega$  @ 500VDC
- Voltage breakdown: 1000VAC for 1 minute
- Contact resistance: 20m $\Omega$  (max.)
- Ambient temperature: -10°C ~ +55°C
- Ambient humidity: 85% RH (max.)

Mouser Stock No.	Type	Circuit
ME108-MS333A	SPDT	On-On
ME108-MS333A	SPDT	On-Off-On
ME108-MS333A	DPDT	On-On

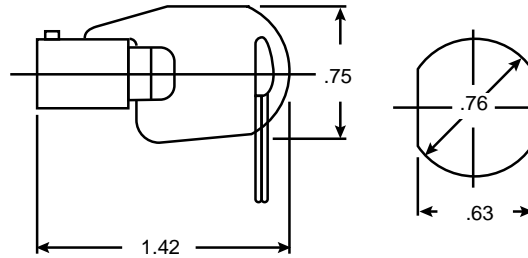
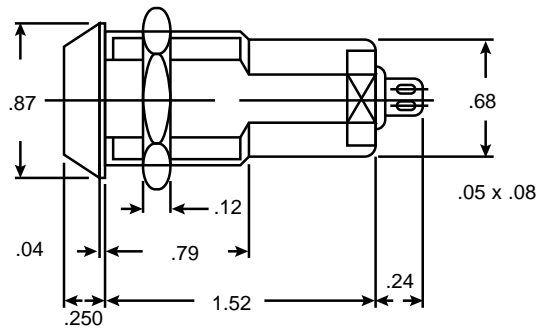
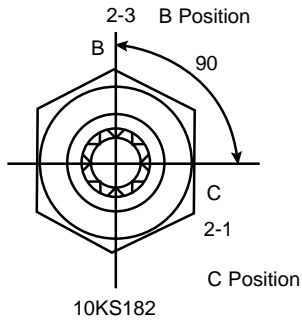
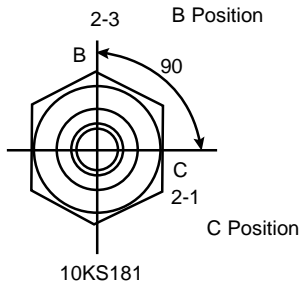
Your source for quality electronics. Toll-free full services

**(800)346-6873**

<http://www.mouser.com>



Dimensions (In.)

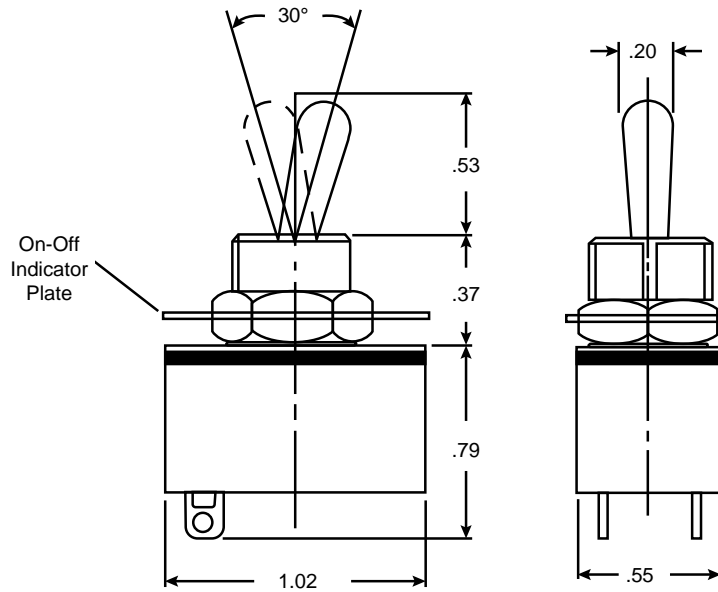


**Specifications:**

- Rating: 3A @ 250VAC
- Contact resistance: 20mΩ (max.)
- Insulation resistance: 100MΩ (min.) @ 500VDC
- Voltage breakdown: 1000VAC for 1 minute
- Life: 30,000 cycles
- SPDT
- Housing: chrome plating brass

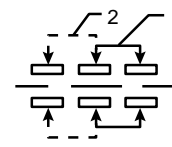
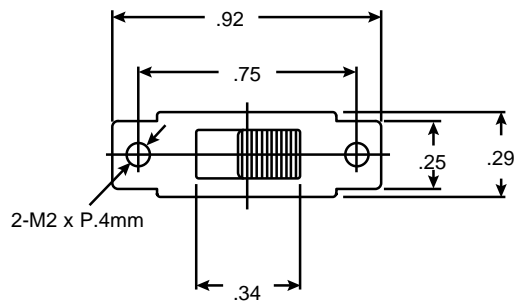
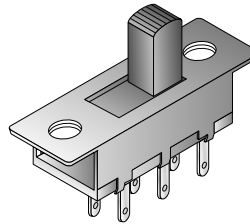
Mouser Stock No.	Description
10KS181	Key removable in "B" position only
10KS182	Key removable in "B" and "C" positions

Your source for quality electronics. Toll-free full service  
**(800) 346-6873**

**Dimensions (In.)****Specifications:**

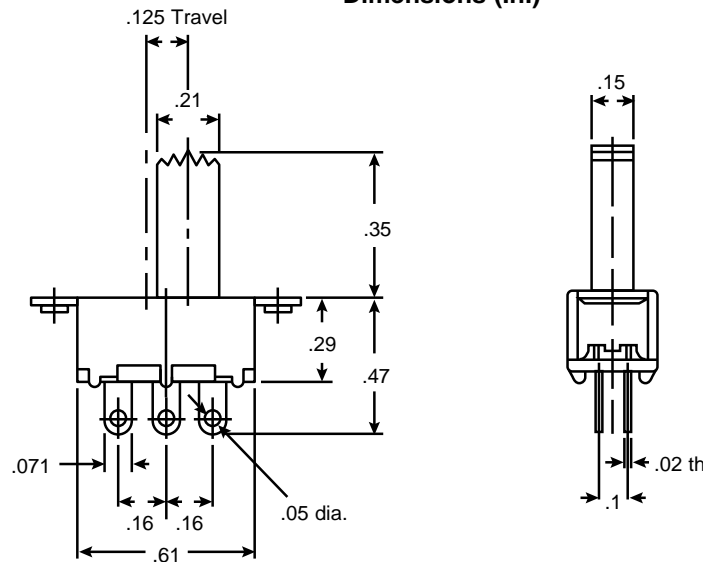
- Rating: 3A @ 125VAC
- Insulation resistance: 200M $\Omega$  (min) @ 500VDC
- Withstand voltage: 1500VAC (min)
- Contact resistance: 20m $\Omega$  (max) @ 1A, 2VDC
- Circuit: SPST on-off 2 pin
- Mounting hole: 0.47 inch diameter

Your source for quality electronics. Toll-free full service  
**(800) 346-6873**



Schematic

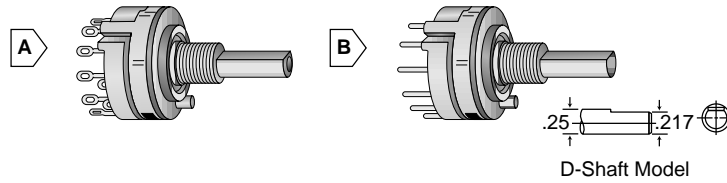
Dimensions (In.)



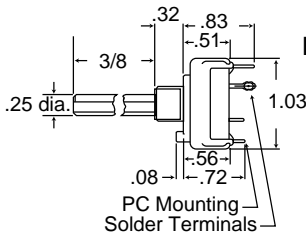
**Specifications:**

- Rating: .5A @ 50VDC
- Initial contact resistance: 30mΩ (max.)
- Insulation resistance: 500MΩ @ 500VDC
- Withstand voltage: 500VAC for 1 minute
- Switching life: 10,000 cycles
- Contacts: silver plated copper

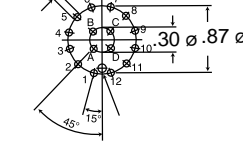
Your source for quality electronics. Toll-free full service  
**(800) 346-6873**



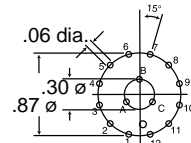
D-Shaft Model



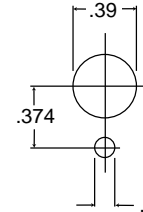
**Dimensions (In.)**



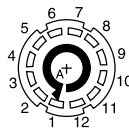
1, 2, and 4 Pole  
Printed Circuit Layout



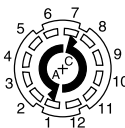
3 Pole Printed  
Circuit Layout



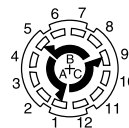
Panel piercing details



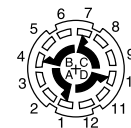
1 Pole  
12 Position



2 Pole  
6 Position



3 Pole  
4 Position



4 Pole  
3 Position

**Specifications:**

- PC mounting or solder terminal
- Number of position is user adjustable by the simple adjustment of Tang washer provided
- Two shaft styles available
- User selectable positions from 2 to maximum positions available
- Working voltage: 300VAC or 300VDC (max.)
- Breakdown voltage: 1000V RMS @ 25°C
- Contact resistance: less than 50mΩ (max.)
- Index angle: 30°
- Contact rating: .35A @ 110VAC or DC  
.15A @ 250VAC or DC
- Contact life: over 10,000 operations
- Contact plating: .0001" silver

**Non-Shorting 1/4" Round Shaft  
(Break-Before-Make)**

Mouser Stock No.	Fig.	Poles	Positions (User Selectable)
105-14571	A	1	2 - 12
105-14572	A	2	2 - 6
105-14573	A	3	2 - 4
105-14574	A	4	2 - 3
105-2454	B	1	2 - 12
105-2455	B	2	2 - 6
105-2456	B	3	2 - 4
105-2457	B	4	2 - 3

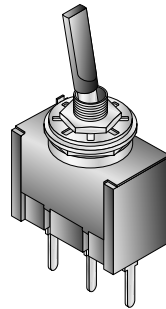
**Shorting 1/4" Round Shaft  
(Make-Before-Break)**

Mouser Stock No.	Fig.	Poles	Positions (User Selectable)
105-13571	A	1	2 - 12
105-13572	A	2	2 - 6
105-13573	A	3	2 - 4
105-13574	A	4	2 - 3

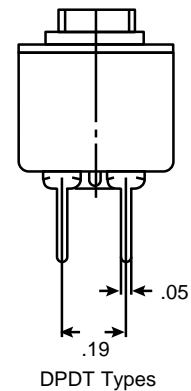
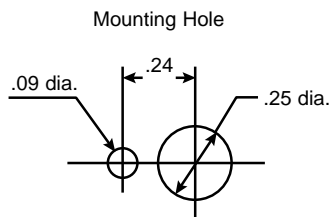
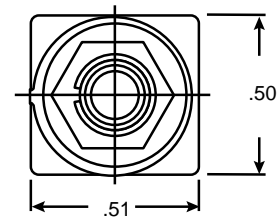
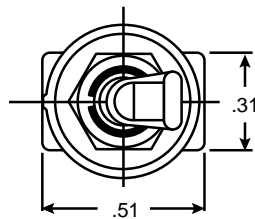
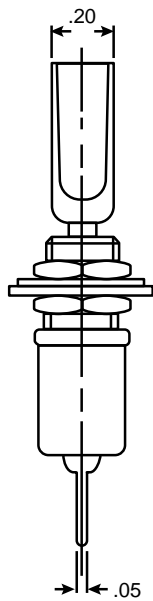
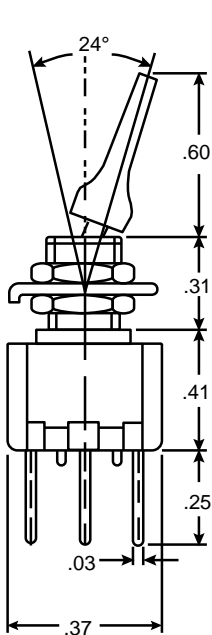
Your source for quality electronics. Toll-free full service

**(800) 346-6873**

<http://www.mouser.com>



Dimensions (In.)



SPDT Types

DPDT Types

**Specifications:**

- Contact rating: 6A @ 125VAC, 3A @ 250VAC
- Contact resistance: 20mΩ
- Breakdown voltage: 1KVAC for 1 minute
- Insulation resistance: 100MΩ

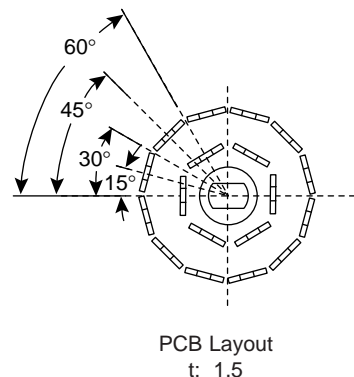
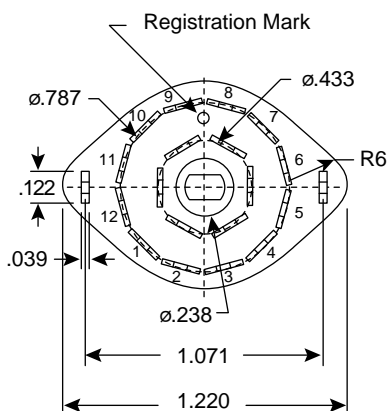
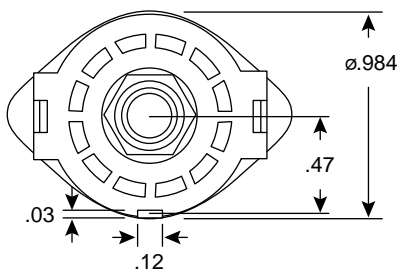
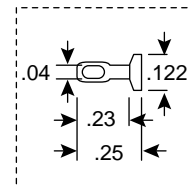
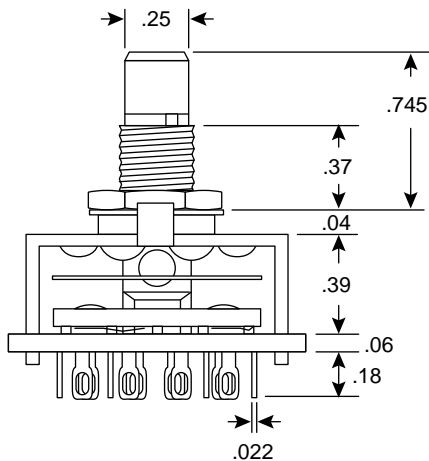
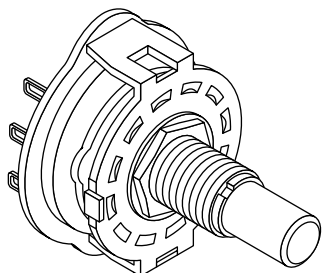
Mouser Stock No.	Type	Circuit
10TC130	SPDT	On-On*
10TC135	SPDT	On-Off-On*
10TC145	SPDT	(On)-Off-(On)
10TC160	DPDT	On-On*
10TC170	DPDT	On-Off-On*
10TC175	DPDT	(On)-Off-(On)

\* Indicates UL listed (File No. E128300)

() Indicates Momentary Contact

Your source for quality electronics. Toll-free full service

**(800) 346-6873**



**Dimensions (In.)**

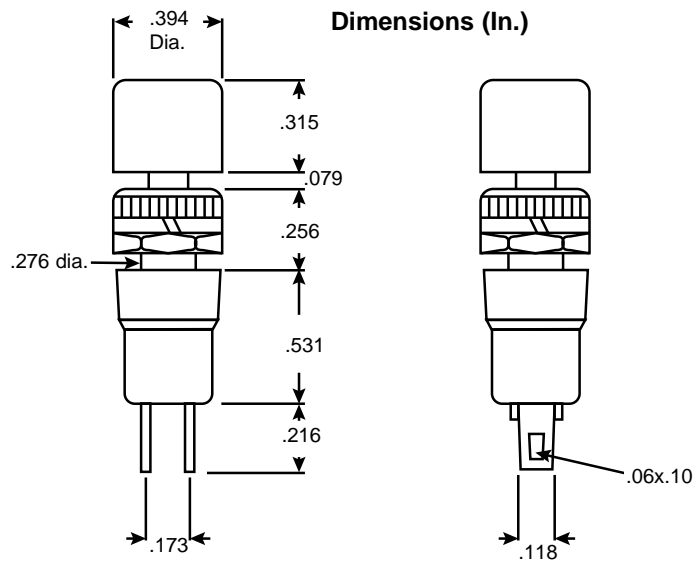
**Specifications:**

- Type: non-shorting contact (break before make)
- Poles: 6
- Positions: 2
- Rating: 0.3A @ 125VAC
- Contact resistance: 30mΩ max. @ 1A
- Insulation resistance: 10MΩ @ 500VDC min.
- Withstand voltage: 500VAC for 1 minute
- Rotation torque: 1~3KG/cm
- Hardware included: 1 hexagon nut & 2 washers
- Shaft: 1/4"
- Thread size: 3/8- 32NEF





Dimensions (In.)



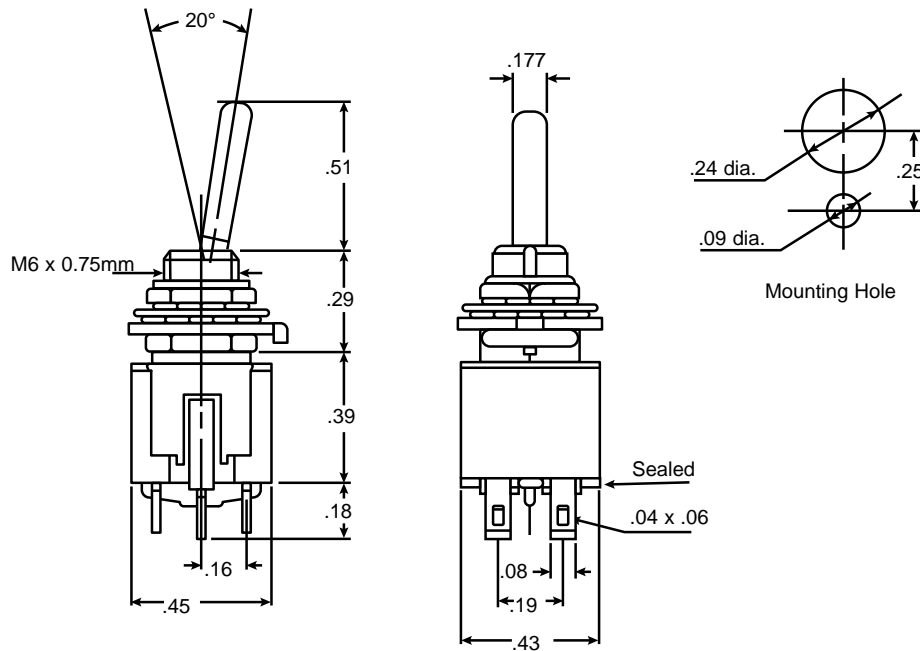
**Specifications:**

- Rating: 1A @ 125VAC
- Mechanical life expectancy: 30,000 operations
- Electrical life expectancy: 10,000 operations
- Insulation resistance: 1000MΩ (min.) @ 500VDC
- Voltage breakdown: 100VAC for 1 minute
- Contact resistance: 20mΩ (max.)

Mouser Stock No.	Type	Circuit ( ) Momentary Contact	Button Color
10PA111	SPST	OFF-(ON)	Red
10PA112	SPST	OFF-(ON)	Black
10PA121	SPST	ON-(OFF)	Red
10PA122	SPST	ON-(OFF)	Black

Your source for quality electronics. Toll-free full service  
**(800) 346-6873**

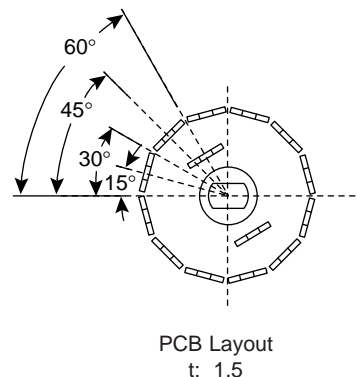
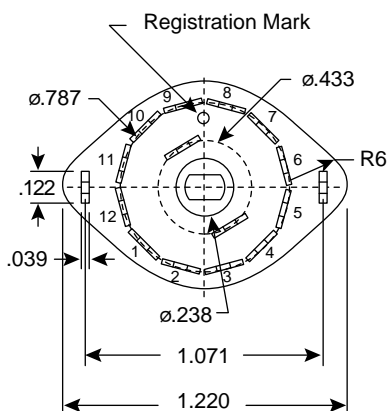
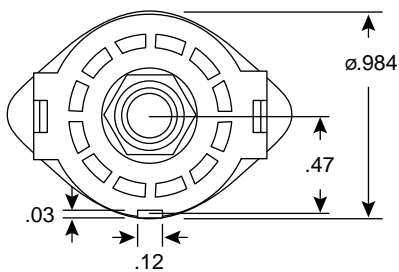
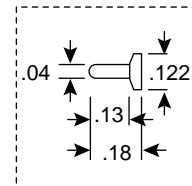
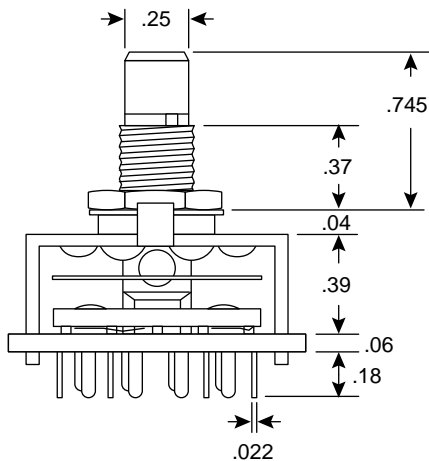
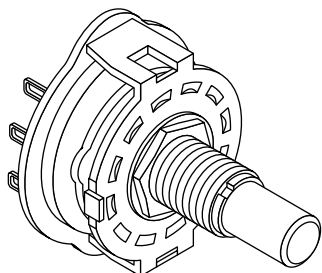
### Dimensions (In.)



### Specifications:

- Rating: 6A @ 125VAC
- Insulation resistance: 100M $\Omega$  @ 500VDC (min)
- Breakdown voltage: 1000VAC for 1 minute
- Contact resistance: 2.5VDC 1A 20m $\Omega$  (max)
- Circuit: DPDT
- Switching function: on-on

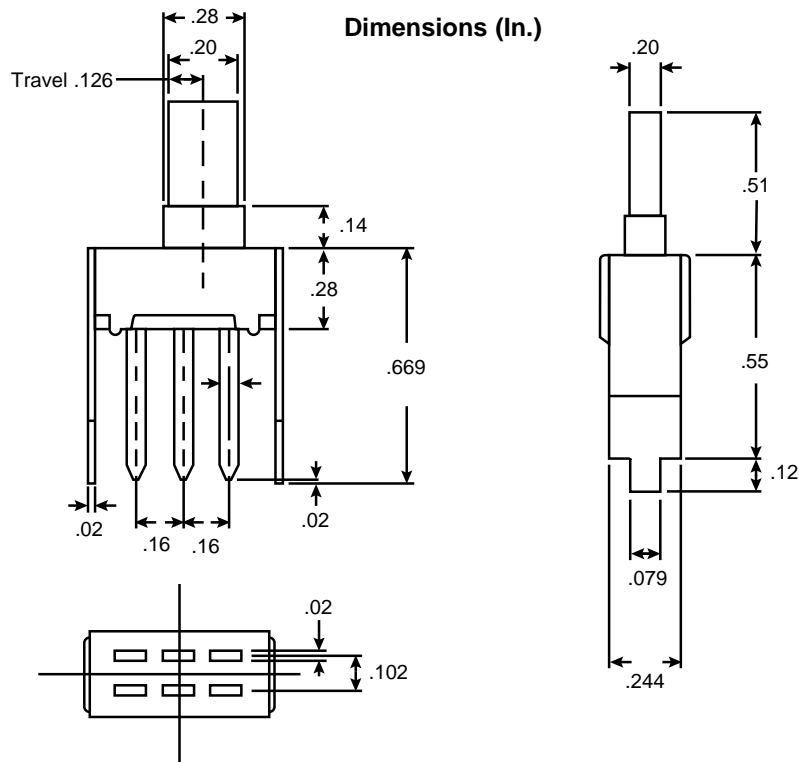
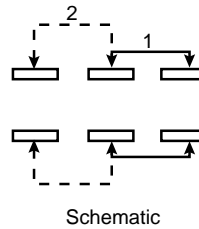
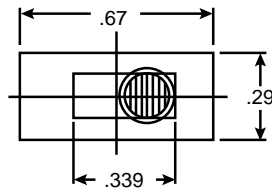
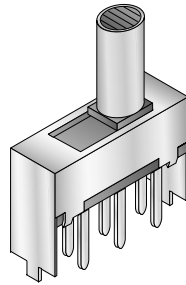
Your source for quality electronics. Toll-free full service  
**(800) 346-6873**



**Dimensions (In.)**

**Specifications:**

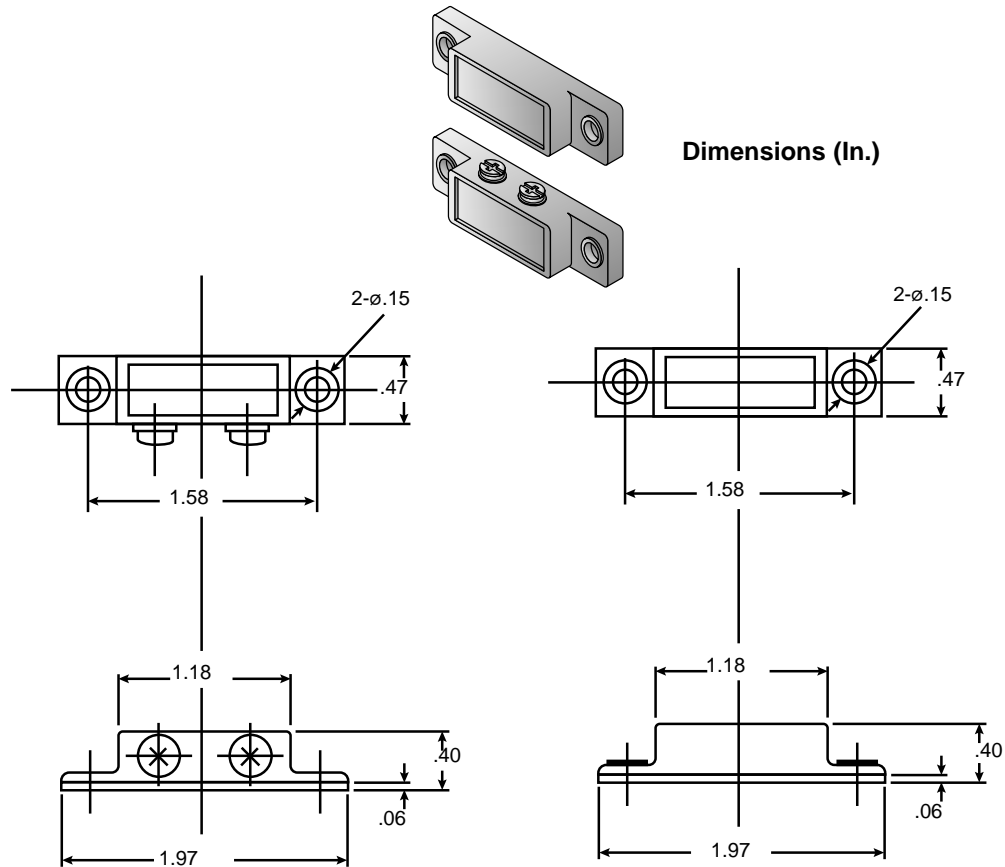
- Type: PC mount; non-shorting contact (break before make)
- Poles: 2
- Positions: 5 (10YQ025), 6 (10TQ026)
- Rating: 125VAC 0.3A
- Contact resistance: 30mΩ max.
- Insulation resistance: 100mΩ @ 500VDC min.
- Withstand voltage: 500VDC for 1 minute
- Rotation torque: 1.0+0.5KG/cm
- Hardware included: 1 hexagon nut & 2 washers
- Shaft: 3/8"
- Thread size: 3/8- 32NEF



**Specifications:**

- Rating: 50VDC @ .5A
- Initial contact resistance: not more than 30mΩ
- Insulation resistance: 500MΩ @ 500VDC
- Withstand voltage: 500VAC for 1 minute
- Switching life: 10,000 cycles (15-18 C / M unloading)

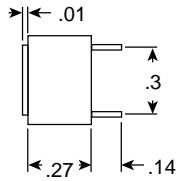
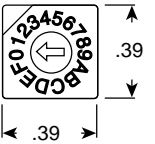
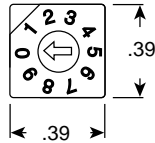
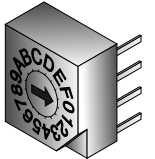
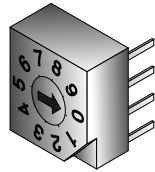
Your source for quality electronics. Toll-free full service  
**(800) 346-6873**

**Specifications:**

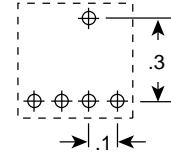
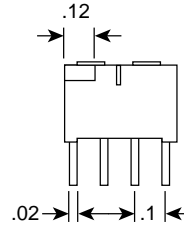
- Working voltage: 50VDC (max)
- Working current: .2ADC (max)
- Contact resistance:  $.2\Omega$  (max)
- Switching power rating: 8W
- Insulation resistance: between terminals:  $100M\Omega$  @ 100VDC  
between terminal and housing:  $100M\Omega$  @ 500VDC
- Withstand voltage: between terminals: 250VDC for 1 minute  
between terminal and housing: 1000VAC for 1 minute
- Maximum frequency: 300Hz
- Moving time: 1.0 msec (max)
- Recovering time: .5 msec (max)
- Bounce time: .5 msec (max)

Your source for quality electronics. Toll-free full service

**(800) 346-6873**



**Dimensions (In.)**



**Specifications:**

- Contact: gold plated
- Rating: 50VDC @ 100mA (non-switching)  
5VDC @ 100mA (switching)
- Contact resistance: 100mΩ (max.)
- Operating temperature: -25°C to +70°C
- Insulation resistance: 100MΩ (min.)
- Hermetically sealed switches
- Dielectric withstanding: 250VAC for 1 min.
- Rotation life: 10,000 steps min.
- Rotation torque: 300gcm
- Construction: perfectly sealed

Mouser Stock No.	No. of Positions	Code Configuration
106-V110	10 (B)	True binary-coded decimal
106-V120	10 (D)	Comp. binary-coded decimal
106-V610	16 (A)	True binary-coded hexadecimal
106-V620	16 (C)	Comp. binary-coded hexadecimal

**True**

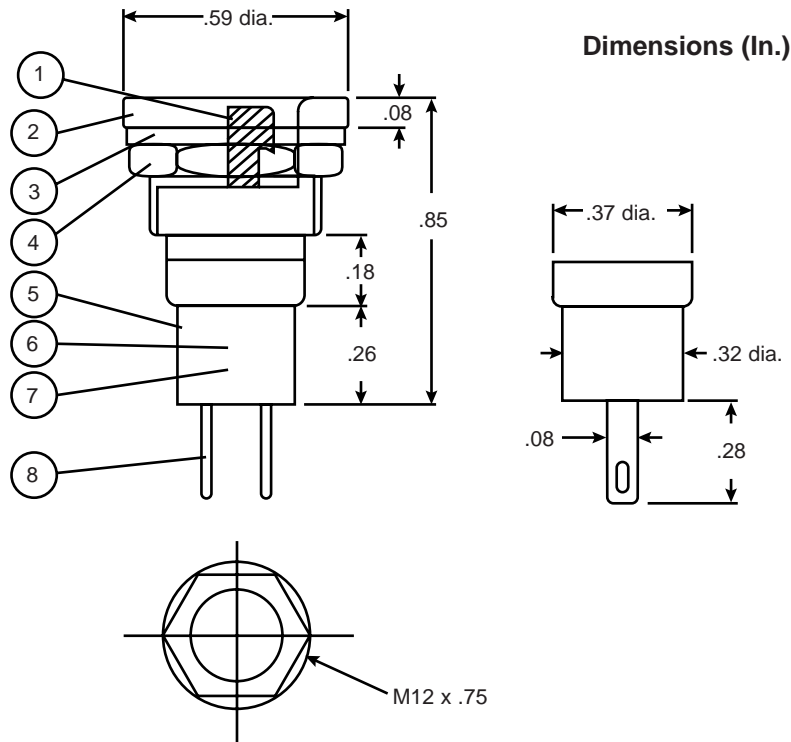
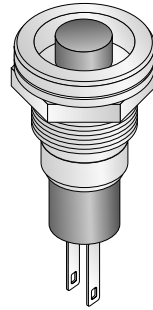
Mouser Stock No.	Position	Code			
		1	2	4	8
(A) (B)	0				
	1	•			
	2		•		
	3	•	•		
	4			•	
	5	•		•	
	6		•	•	
	7	•	•	•	
	8				•
	9	•			•
	A		•		•
	B	•	•		•
	C			•	•
	D	•		•	•
	E		•	•	•
	F	•	•	•	•

**Compliment**

Mouser Stock No.	Position	Code			
		1	2	4	8
(C) (D)	0	•	•	•	•
	1		•	•	•
	2	•		•	•
	3		•		•
	4	•	•		•
	5		•		•
	6	•			•
	7				•
	8	•	•	•	
	9		•	•	
	A	•		•	
	B			•	
	C	•	•		
	D		•		
	E	•			
	F				

Your source for quality electronics. Toll-free full service

**(800) 346-6873**



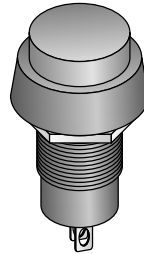
**Specifications:**

- Rated power: 1A @ 125VAC
- Contact resistance: less than 10mΩ @ 1VDC
- Insulation resistance: more than 200MΩ @ 500VDC
- Withstand voltage: 500VDC for 1 minute
- Operating temperature: 180gs
- Life cycle: more than 30,000 cycles (60/sec.)
- Life time: more than 10,000 hours
- 10PA032: red button
- 10PA033: black button

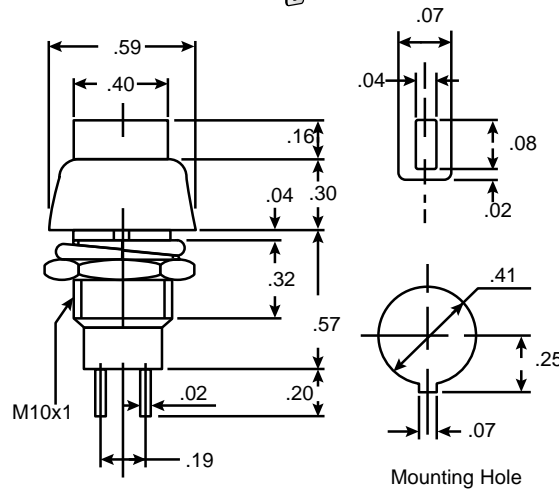
No.	Name	Material
1	Button (inside)	ABS plastic
2	Bezel	Nickel plated brass
3	Washer	Copper uni-chromate plated
4	Nut	Nickel plated brass
5	Body	Molded black plastic
6	Contact (inside)	Silver plated brass
7	Spring (inside)	SWPE
8	Terminals	Silver plated brass

Your source for quality electronics. Toll-free full service

**(800) 346-6873**



Dimensions (In.)

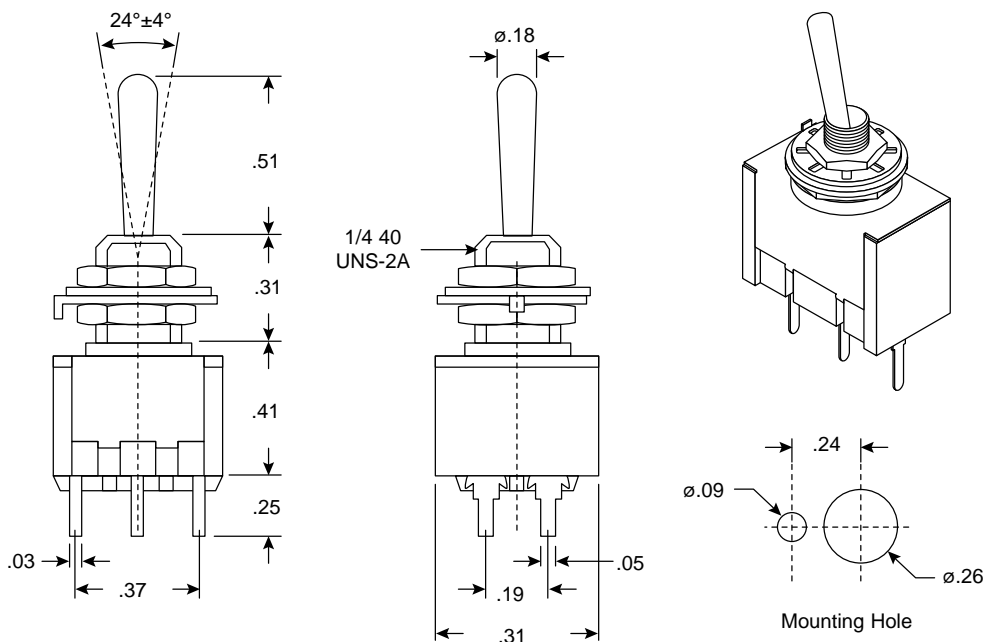


**Specifications:**

- Circuit: SPST
- Switching function: off-(on)
- Rating: 3A @ 125VAC or 1A @ 250VAC
- Insulation resistance: 100MΩ (min) @ 500VDC
- Voltage breakdown: 1500VAC for 1 minute
- Contact resistance: 20MΩ (max) @ 1A 2.5VDC

Mouser Stock No.	Button Color	Frame Color
10PA322	Red	Black
10PA323	Black	Black





Dimensions (In.)

### Specifications:

- Type: PC mount
- Rating: 6A/125VAC, 3A/250VAC
- Mechanical life: over 30,000 operations
- Electrical life: over 10,000 operations
- Insulation resistance: 100M $\Omega$  (min.)
- Breakdown voltage: 1000VAC for 1 minute
- Contact resistance: 20m $\Omega$  (max.)
- Toggle: chrome plated brass
- Spring: oil quench hardened steel wire
- Actuator & cover: stainless steel
- Case: molded diallyl phtahlate resin
- Actuator insulator: molded phenolic
- Contact arm & terminals: silver clad copper w/gold flash
- Terminal (center): copper sheet w/gold flash
- Hex nut & bushing: nickel plated brass
- Lock washer & lock ring: unichromed steel

**Mountain  
Switch**

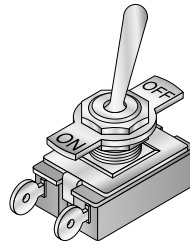
\*  (File No. E128300)

Mouser Stock No.	Circuit	Type
* 10TC430	SPDT	On-On
* 10TC435	SPDT	On-Off-On
10TC445	SPDT	(On)-Off-(On)
* 10TC460	DPDT	On-On
* 10TC465	DPDT	On-Off-On
10TC475	DPDT	(On)-Off-(On)

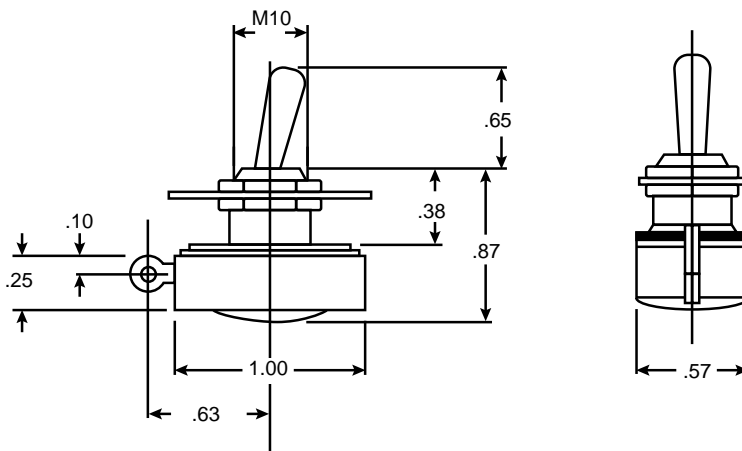
Your source for quality electronics. Toll-free full services

**(800)346-6873**

<http://www.mouser.com>



### Dimensions (In.)

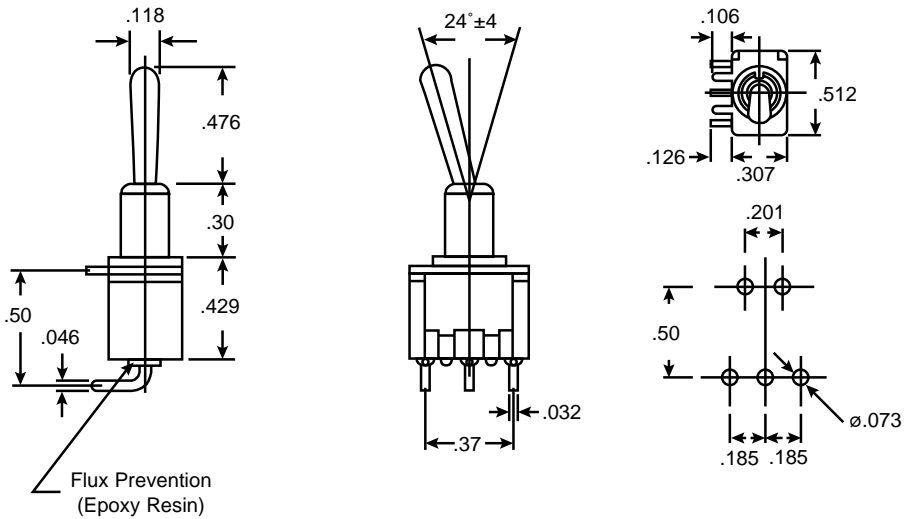
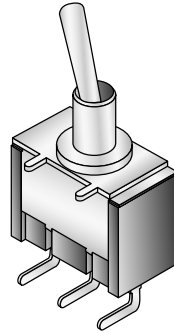


### Specifications:

- Handle: nickel plated brass
- Spring: steel (piano wire)
- Insulator: phenol
- Contact plate: brass, Ag plated
- On/off plate: aluminum
- Nut: nickel plated brass
- Bushing: nickel plated brass
- Frame: steel chrome plated
- Mold case: phenol
- Contact terminals: brass, Ag plated
- Rated power: 125VAC, 5A
- Contact resistance: 20M $\Omega$  @ 2.5VDC (max.)
- Insulation resistance: 100M $\Omega$  @ 500VDC (min.)
- Withstand voltage: 1000VAC for 1 minute

Your source for quality electronics. Toll-free full service

**(800) 346-6873**



Dimensions (In.)

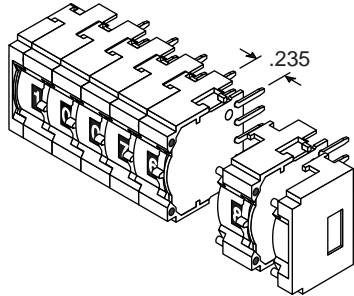
**Specifications:**

- Rating: 6A/125VAC
- Circuit: SPDT
- Function: ON-ON
- Contact resistance: 1A/2.5VDC 20m max.
- Insulation resistance: 500VDC 100M min.
- Voltage breakdown: 1,000VAC for 1 minute
- CSA file no.: LR26920
- Right Angle



Your source for quality electronics. Toll-free full service

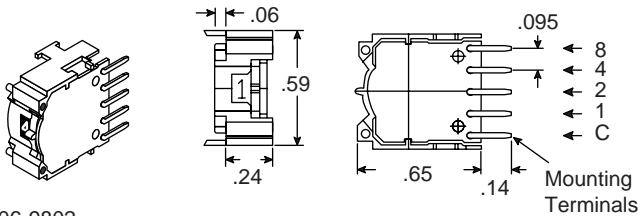
**(800) 346-6873**



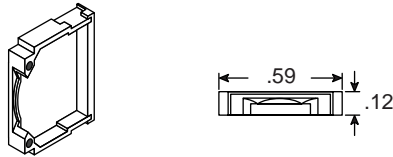
**Truth Table**

Dial	Terminal Connected to Common			
	8	4	2	1
0				
1				•
2			•	
3			•	•
4		•		
5		•		•
6		•	•	
7		•	•	•
8	•			
9	•			•

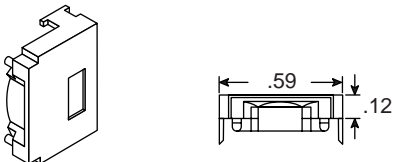
106-9801



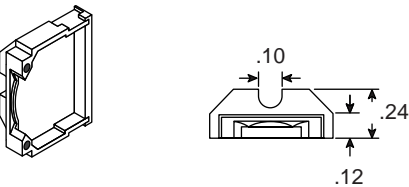
106-9802



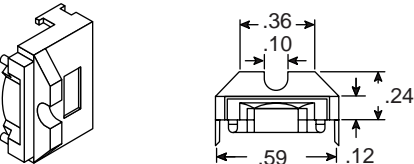
106-9803



106-9804



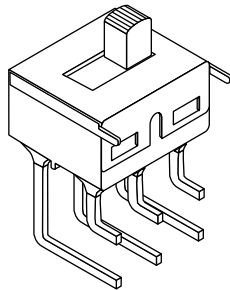
106-9805



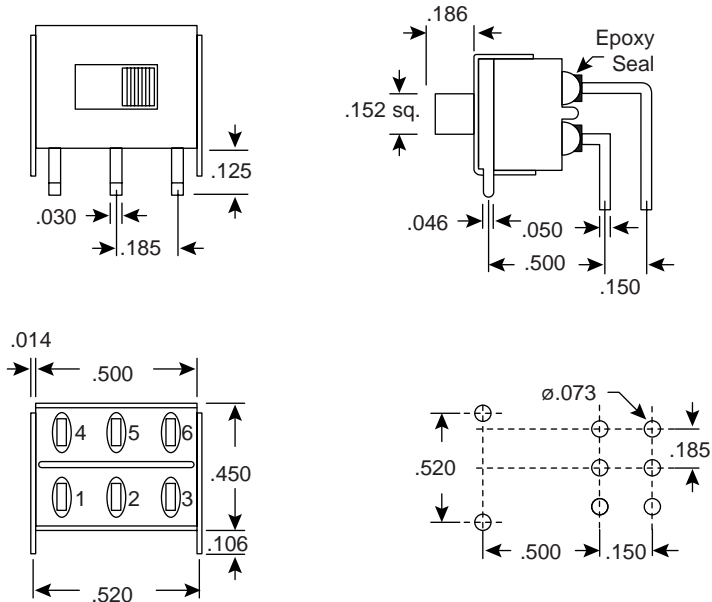
**Specifications:**

- Type: PC mount
- Color: black
- Housing: polyacetal
- Rating: switching load capacity 28V/50mA DC (resistive load)
- Continuous current: 100mA (max.)
- Initial contact resistance: 250mΩ (max.)
- Insulation resistance: 100MΩ (min.)
- Breakdown voltage: 250VAC
- Operating force: 200g max.
- Mechanical life: 100,000 times @ 25°C

Mouser Stock No.	Description
106-9801	Single section, decimal switch
106-9802	Flush mount end plate, left
106-9803	Flush mount end plate, right
106-9804	Rear mount end plate, left
106-9805	Rear mount end plate, right

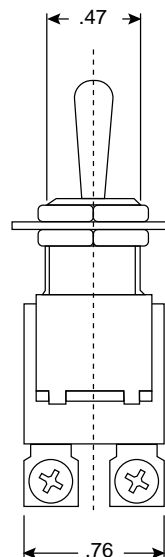
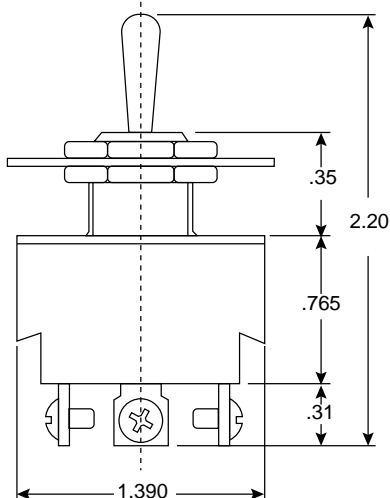
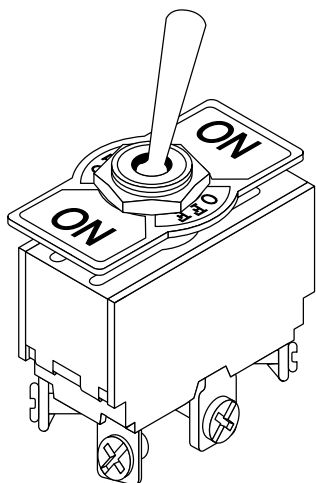


Dimensions (In.)



**Specifications:**

- Type: DPDT; On-On
- Contact rating: 5A @ 120VAC or 28VDC, 2A @ 250VAC
- Contact resistance: 10m $\Omega$  max.
- Electrical life: 30,000 cycles
- Insulation resistance: 1,000M $\Omega$  min.
- Dielectric strength: 1,000VRMS @ sea level
- Operating temperature: -30°C~+85°C
- Case: diallyl phthalate (DAP)
- Housing: stainless steel
- Slide handle: nylon
- Contacts: silver plated coin silver
- Center contact & terminals: silver plated brass



### Dimensions (In.)

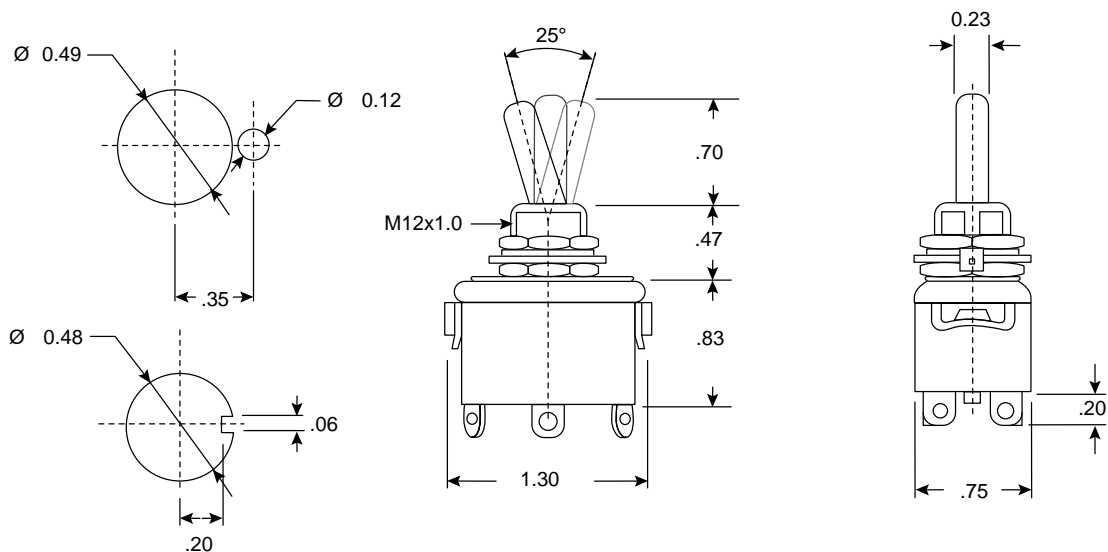
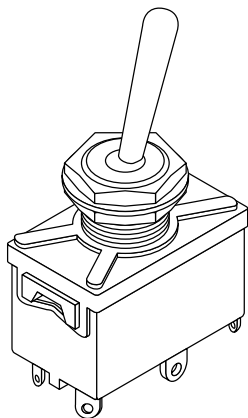
#### Specifications:

- Circuit: 6P DPDT on-off-on
- Rating: 6A @ 125VAC, 3A @ 250VAC
- Contact resistance: 50mΩ max.
- Insulation resistance: 500VDC 100MΩ min.
- Dielectric strength: 1000VAC for 1 minute
- Case: phenol or melamine
- Toggle handle: A, acrylonitrile - butadiene - styrene  
B, brass, chrome plated
- Bushing: brass, chrome plated
- Housing: mild steel, zinc plated
- End contact: coin silver
- End terminal: brass, silver plated
- Center contact & terminal: brass, coin silver or silver plated
- Hardware: nut - brass, nickel plated
- Spring washer: spring steel bright zinc plated

Your source for quality electronics. Toll-free full service

**(800) 346-6873**

<http://www.mouser.com>



Dimensions (In.)

**Specifications:**

- Rating: 10A 250VAC, 15A 125VAC
- Contact resistance: 2-4VDC 1A 20m $\Omega$
- Insulation resistance: 500VDC 200M $\Omega$
- Voltage breakdown: 1500VAC
- UL No: E68037 (S)
- Switch function: on-on
- Operation: DPDT

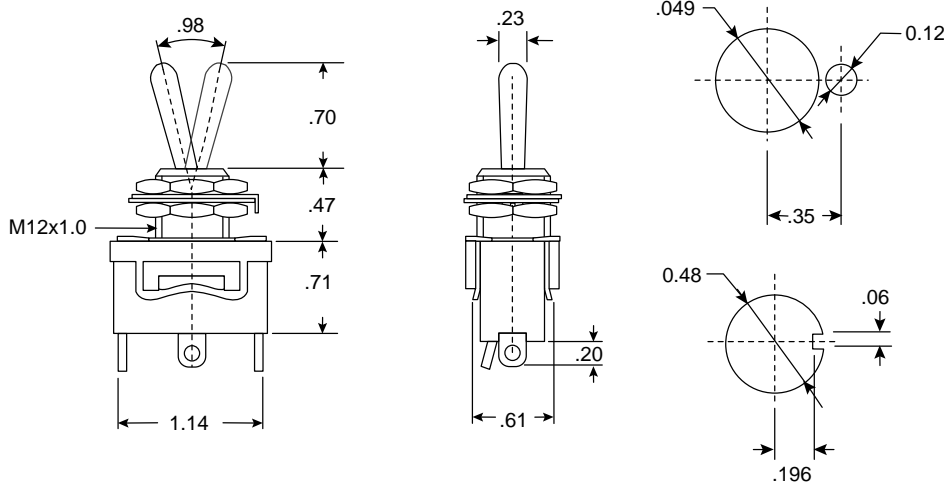
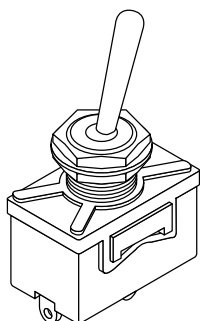
**Soldering Procedures**

1. Soldering iron: 60W  
Solder: 1.60RH 50 (SN50%)  
Temperature: 350°C  
Complete soldering: 2 seconds
2. Soldering iron: 40W  
Solder: 1.00RH 64 (SN64%)  
Temperature: 250°C  
Complete soldering: 2-3 seconds

Your source for quality electronics. Toll-free full service

**(800) 346-6873**

<http://www.mouser.com>



Dimensions (In.)

**Specifications:**

- Rating: 10A 250VAC, 15A 125VAC
- Contact resistance: <20mΩ @ 2-4VDC 1A
- Insulation resistance: >200MΩ @ 500VDC
- Voltage breakdown: 1500VAC
- Switch function: on-off
- Operation: SPST
- Mechanical operation: over 20,000 cycles
- Electrical operation: over 10,000 cycles

**Soldering Procedure:**

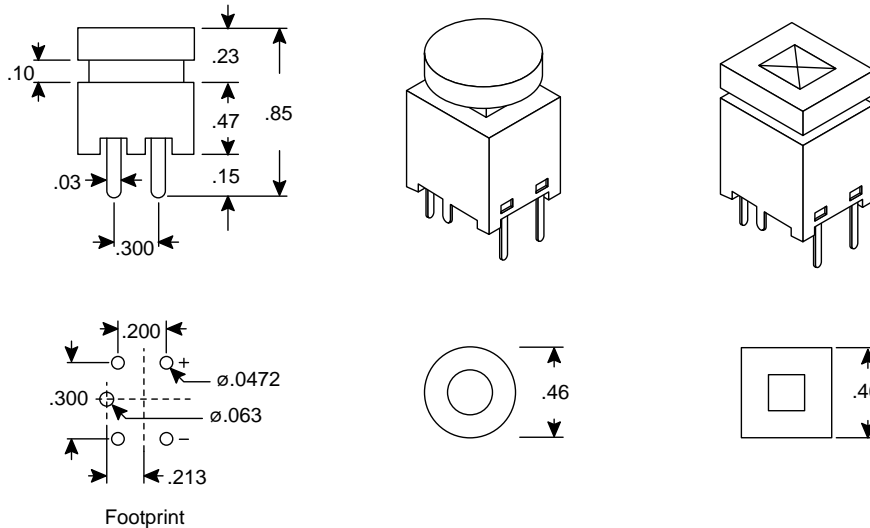
1. Soldering iron: 60w  
Solder: 1.60 RH 50 (SN50%)  
Temperature: 350°C  
Complete soldering: 2 seconds
2. Soldering iron: 40w  
Solder: 1.00 RH 64 (SN 64%)  
Temperature: 250°C  
Complete soldering: 2-3 seconds

Your source for quality electronics. Toll-free full service

**(800) 346-6873**

<http://www.mouser.com>





Dimensions (In.)

**Specifications:**

- Working temperature: -10°C~ +55°C
- Storage temperature: -20°C~ +170°C
- Soldering temperature: 270°C max. for 3 sec.
- Rating: 3A 125VAC; SPST
- Contact resistance: 20mΩ max. @ 1A 2.5VDC
- Insulation resistance: 100MΩ min. @ 500VDC
- Breakdown voltage: 1,000VAC for 1 minute
- Electrical life: 50,000 operations
- Mechanical life: 50,000 operations

LED luminous intensity [@IR=100μA (mcd)]: red 8.0 (typ.), green 8.0 (typ.), yellow 4.0 (typ.)

**Illuminated Switches**

( ) -momentary contact

Mouser Stock No.		Circuit	Color
Square	Round		
107-DS662-4RED	107-DS662-2RED	Off-On	Red
107-DS662-4GRN	107-DS662-2GRN	Off-On	Green
107-DS662-4YEL	107-DS662-2YEL	Off-On	Yellow
107-DS662-8RED	107-DS662-6RED	Off-(On)	Red
107-DS662-8GRN	107-DS662-6GRN	Off-(On)	Green
107-DS662-8YEL	107-DS662-6YEL	Off-(On)	Yellow

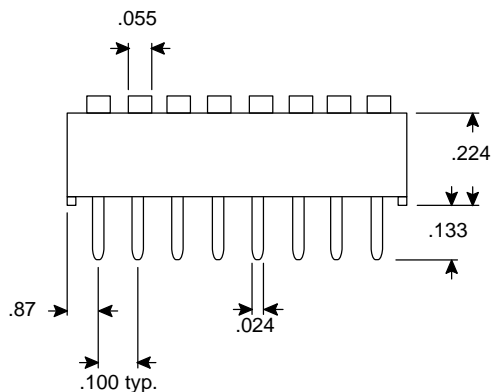
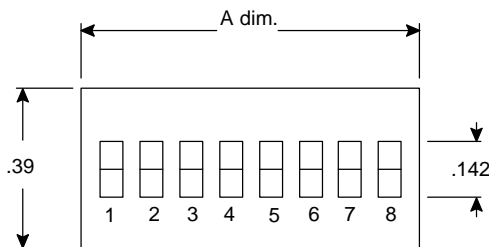
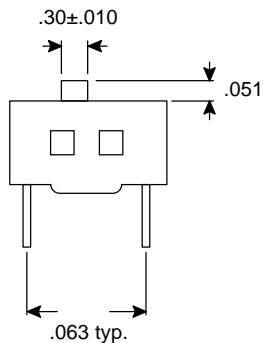
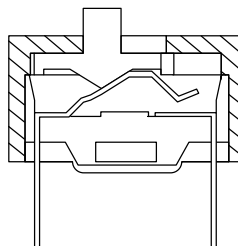
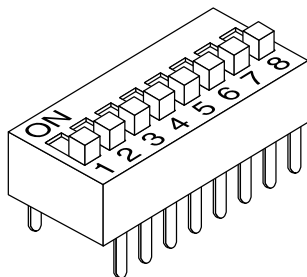
**Non-illuminated Switches**

Mouser Stock No.		Circuit	Color
Square	Round		
107-DS662-3RED	107-DS662-1RED	Off-On	Red
107-DS662-3BLK	107-DS662-1BLK	Off-On	Black
107-DS662-3WHT	107-DS662-1WHT	Off-On	White
107-DS662-7RED	107-DS662-5RED	Off-(On)	Red
107-DS662-7BLK	107-DS662-5BLK	Off-(On)	Black
107-DS662-7WHT	107-DS662-5WHT	Off-(On)	White

Your source for quality electronics. Toll-free full service

**(800) 346-6873**

<http://www.mouser.com>



### Dimensions (In.)

#### Specifications:

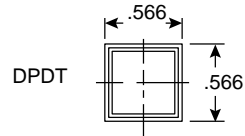
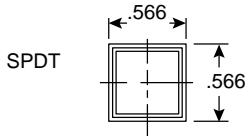
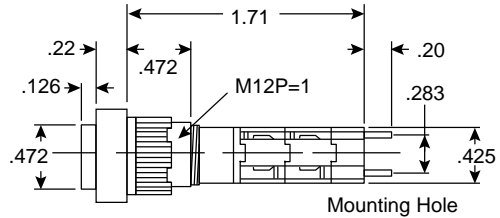
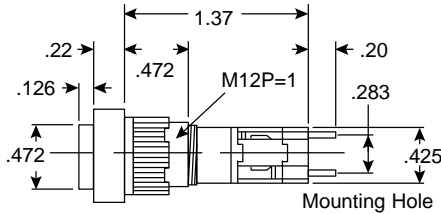
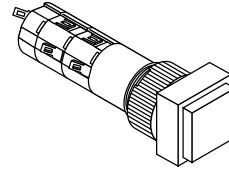
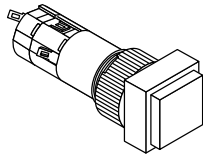
- Mechanical life: 10,000 operation min. per switch
- Electrical life: 5,000 operation min. per switch 50mA, 24VDC
- Operation force: less than 800g
- Non-switching rating: 100mA, 50VDC
- Switching: 50mA, 24VDC
- Circuit: single pole single throw

Mouser Stock No.	No. Pos.	A Dim. (In.)
106-1202	2	.239
106-1204	4	.439
106-1206	6	.639
106-1208	8	.839

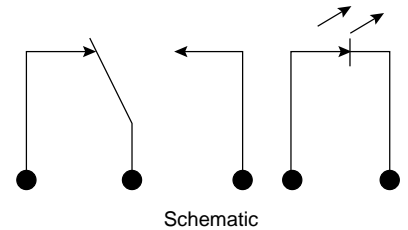
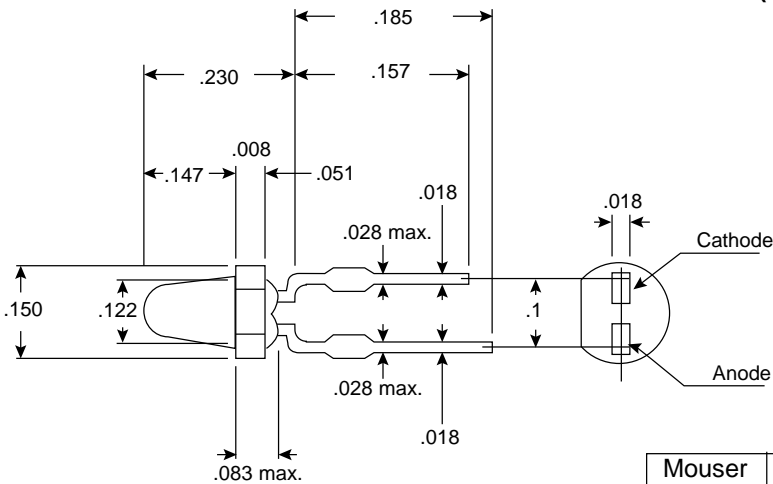
Your source for quality electronics. Toll-free full service

**(800) 346-6873**

<http://www.mouser.com>



**Dimensions (In.)**



**Specifications:**

- Rating: 1A @ 250VAC, 3A @ 125VAC
- Insulation resistance: > 100MΩ @ 500VDC
- Breakdown voltage: 1500VAC for 1 minute
- Contact resistance: 10mΩ max.

**LED Specifications:**

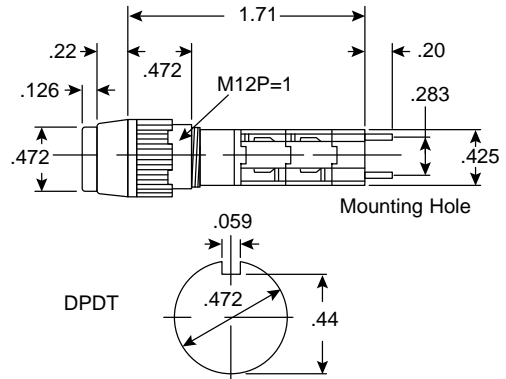
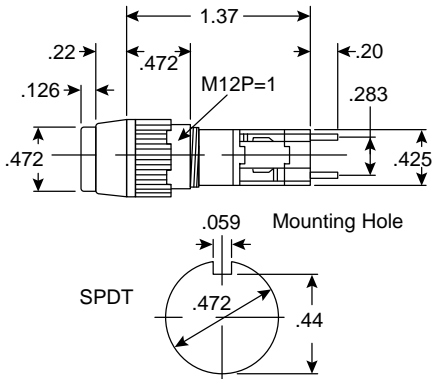
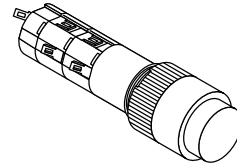
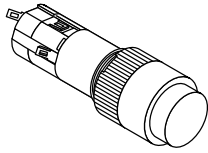
- Temperature: Ta = 25°C
- Color: red, green, yellow
- Reverse voltage: 4V
- Forward voltage (VF (IF=20mA): 1.75V, 2.1V, 2.1V
- Forward current: 25mA
- Approval current: 15mA ~ 20mA

Mouser Stock No.	Type	Circuit	Button Color
10PL051	SPDT	On - On	Red
10PL053	SPDT	On - On	Yellow
10PL056	SPDT	On - On	Green
10PL061	DPDT	On - On	Red
10PL063	DPDT	On - On	Yellow
10PL066	DPDT	On - On	Green
10PL071	SPDT	On - (On)	Red
10PL073	SPDT	On - (On)	Yellow
10PL076	SPDT	On - (On)	Green
10PL091	DPDT	On - (On)	Red
10PL093	DPDT	On - (On)	Yellow
10PL096	DPDT	On - (On)	Green

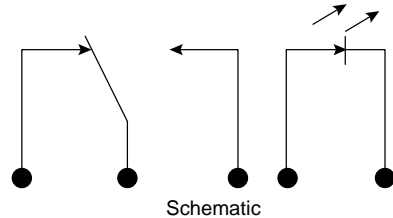
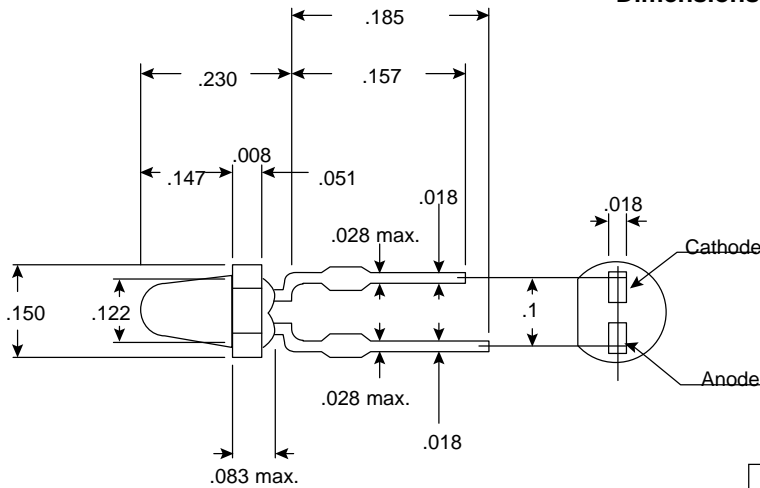
Your source for quality electronics. Toll-free full service

**(800) 346-6873**

<http://www.mouser.com>



**Dimensions (In.)**



**Specifications:**

- Rating: 1A @ 250VAC, 3A @ 125VAC
- Insulation resistance: > 100MΩ @ 500VDC
- Breakdown voltage: 1500VAC for 1 minute
- Contact resistance: 10mΩ max.

**LED Specifications:**

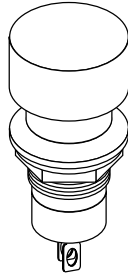
- Temperature: Ta = 25°C
- Color: red, green, yellow
- Reverse voltage: 4V
- Forward voltage (VF (IF=20mA)): 1.75V, 2.1V, 2.1V
- Forward current: 25mA
- Approval current: 15mA ~ 20mA

Mouser Stock No.	Type	Circuit	Button Color
10PL011	SPDT	On - On	Red
10PL013	SPDT	On - On	Yellow
10PL016	SPDT	On - On	Green
10PL021	DPDT	On - On	Red
10PL023	DPDT	On - On	Yellow
10PL026	DPDT	On - On	Green
10PL031	SPDT	On - (On)	Red
10PL033	SPDT	On - (On)	Yellow
10PL036	SPDT	On - (On)	Green
10PL041	DPDT	On - (On)	Red
10PL043	DPDT	On - (On)	Yellow
10PL046	DPDT	On - (On)	Green

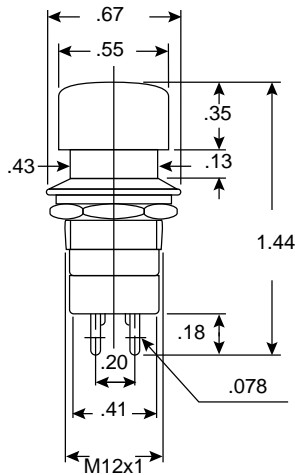
Your source for quality electronics. Toll-free full service

**(800) 346-6873**

<http://www.mouser.com>



Dimensions (In.)



**Specifications:**

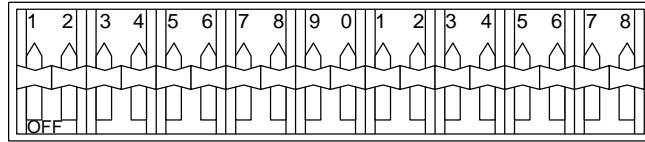
- Rating: 3A @ 250VAC
- Contact resistance: 10mΩ (max)
- Insulation resistance: 500VDC 100MΩ (min)
- Voltage breakdown: 1500VAC for 1 minute
- Mounting hole: .48 inches
- Type: SPST

Mouser Stock No.	Circuit	Color
10PM021	Off-(On)	Red
10PM022	Off-(On)	Black
10PM031	On-Off	Red

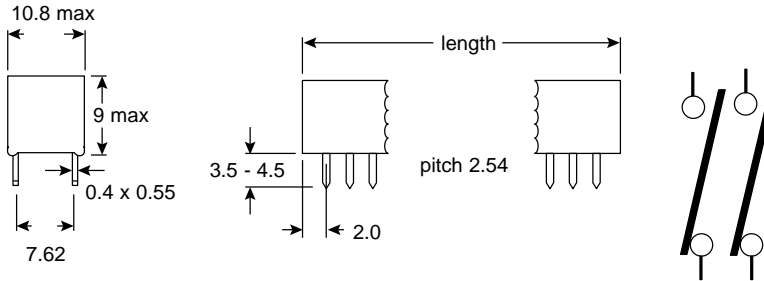
Your source for quality electronics. Toll-free full service

**(800) 346-6873**

<http://www.mouser.com>



Dimensions (mm)



**Principal Electrical and Performance Data @ 20°C, 70% R.H.:**

- Contact ratings: non switching: 100VAC, 5A  
switching: 1µA to 100V, 1µA to 1A up to 10VA
- Initial contact resistance (@10mV, 10mA max): typical: 10mΩ max 20mΩ
- Insulation resistance (@ 500VDC min): 10,000MΩ
- Life: For the first 1000 closures the standard deviation of the change in resistance from the mean is usually less than 1mΩ. Mechanical wear out of the sliding actuator is usually observed after 10,000 operations.
- Dielectric strength: 1 minute: 500V rms 50Hz
- Capacitance between open contacts: <1pf. @ 1KHz
- Temperature: Operating range for continuous electrical use and manual operation is restricted to -55°C to +85°C for standard products. We also have available the 9DS-023 series for use up to 100°C and above.
- Operating force: per pole - typical: 4N
- Humidity: BS 2011 test ca: 56 days
- Bump: BS 2011 test eb: no contact interruptions > 1µS during 4000 bumps @ 390m/s<sup>2</sup>(40g)
- Acceleration: BS 2011 test ga: no contact interruptions > 1µS during test @ 980m/s<sup>2</sup>(100g)
- Vibration: BS 2011 test fc: 10 to 2000Hz no contact interruptions > 1µS during test @ 147 m/s<sup>2</sup>(15g) or 1.0mm displacement amplitude
- Shock: BS 2011 test ea: 980m/s<sup>2</sup> (100g) no contact interruptions > 1µS during test
- Soldering: solderability: < 2 seconds to wet @ 235°C as per IEC 68 and BS 2011 test T, solder bath method
- Resistance to soldering heat as per IEC 68 and BS 2011 10 seconds satisfactory @ 260°C when

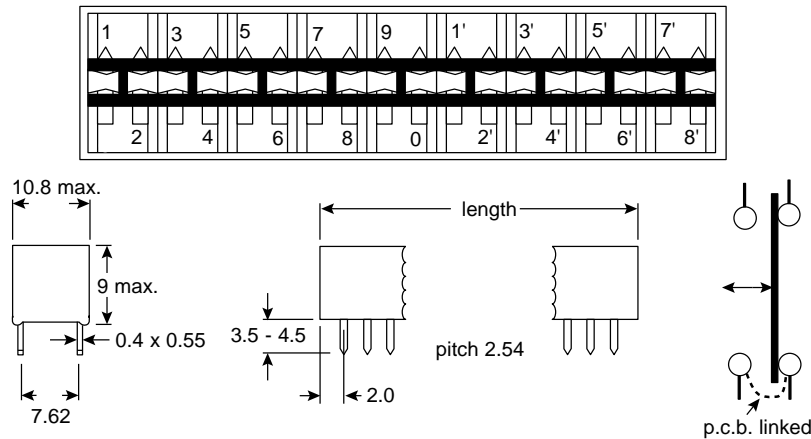
Mouser Stock No.	No. of Circuits	Length (mm) max
10DS202	2	6.7
10DS402	4	11.8
10DS602	6	16.8
10DS802	8	21.9
10DS102	10	27.0

Your source for quality electronics. Toll-free full service

**(800) 346-6873**

<http://www.mouser.com>

**Dimensions (mm)**



**Specifications:**

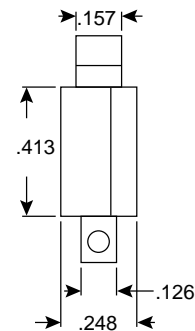
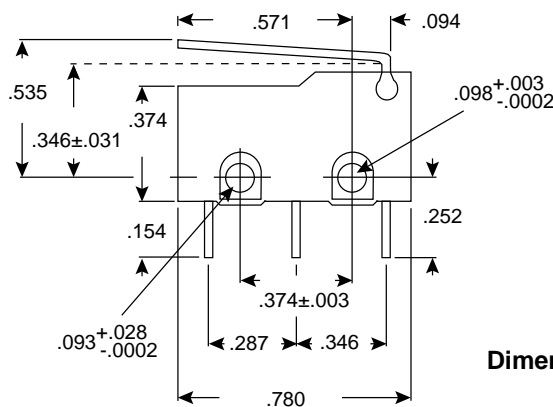
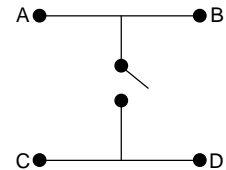
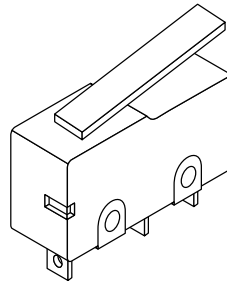
- Contact rating: non switching 100VAC, 5A; switching 1 $\mu$ A to 100V, 1 $\mu$ A up to 10VA
- Initial contact resistance: @ 10mV, 10mA max.
- Typical: 10m $\Omega$  max. 20m $\Omega$
- Insulation resistance: @ 500VDC min. 10,000M $\Omega$
- Life: for the first 1000 closures the standard deviation of the change in resistance from the mean is usually less than 1m $\Omega$ . Mechanical wear out of the sliding actuator is usually observed after 10,000 operations.
- Dielectric strength: 1 minute 500Vrms 50Hz
- Capacitance between open contacts: < 1pf. @ 1KHz
- Temperature: operating range for continuous electrical use and manual operation is restricted to -55 $^{\circ}$ C to +85 $^{\circ}$ C for standard products. We also have available the 9DS-023 series for use up to 100 $^{\circ}$ C and above.
- Operating force: per pole - typical 4N
- Humidity: BS 2011 test ca 56 days
- Bump: BS 2011 test eb no contact interruptions > 1 $\mu$ S during 4000 bumps @ 390m/s<sup>2</sup> (40g)
- Acceleration: BS 2011 test ga no contact interruptions > 1 $\mu$ S during test @ 980 m/s<sup>2</sup> (100g)
- Vibration: BS 2011 test fc 10 to 2000Hz no contact interruptions > 1 $\mu$ S during test @ 147 m/s<sup>2</sup> (15g) or 1.0mm displacement amplitude
- Shock: BS 2011 test ea 980 m/s<sup>2</sup> (100g) no contact interruptions > 1 $\mu$ S during test
- Soldering: solderability < 2 seconds to wet @ 235 $^{\circ}$ C as per IEC 68 and BS 2011 test T, solder bath method. Resistance to soldering heat as per IEC 68 and BS 2011 10 seconds satisfactory @ 260 $^{\circ}$ C when mounted on 1.5,mm p.c.b.
- Contacts: 1 $\mu$  hard old plated

Mouser Stock No.	No. of Circuits	length (mm) Max.
10DC102	1	6.7
10DC202	2	11.8
10DC304	3	16.8
10DC402	4	21.9
10DC502	5	27.0

Your source for quality electronics. Toll-free full service

**(800) 346-6873**

<http://www.mouser.com>



Dimensions (In.)

**Specifications:**

- Button, base and case: NYLON66+GF30%
- Terminal: 0.5mm thick (silver plated copper)
- Flat spring: beryllium 0.1mm thick
- Contact: fine silver contact (Ag)

**Electrical Specifications:**

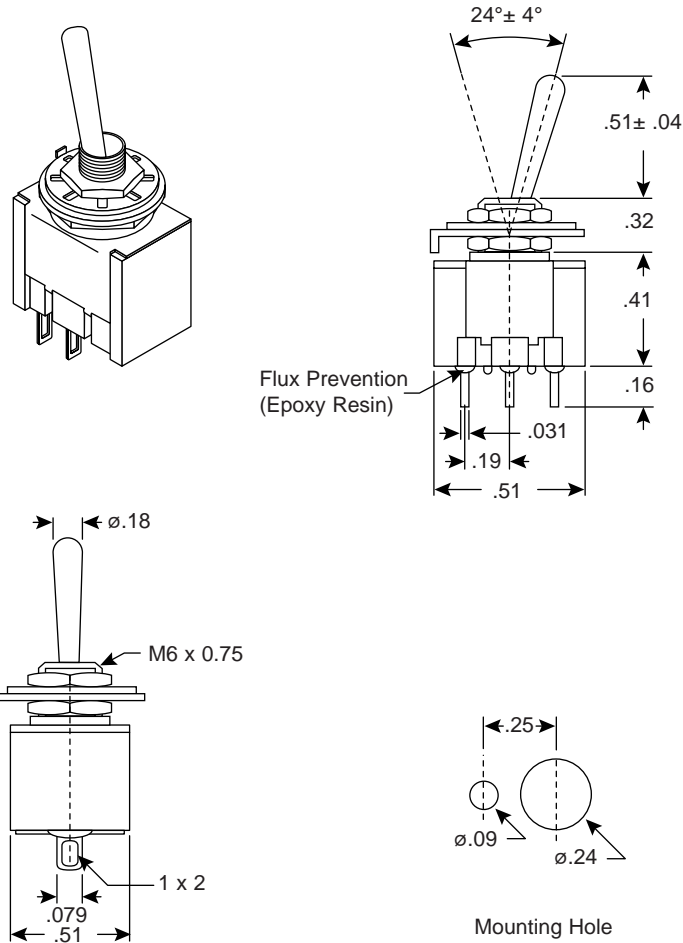
- Contact rating: 3A @ 250VAC
- Contact resistance: 30mΩ max.
- Insulation resistance: 100mΩ @ 500VDC
- Dielectric strength: between contacts 1000VAC, 50/60Hz 1 min.,  
between terminal and ground: 1500VAC, 50/60Hz 1 min.
- Service life: mechanically; 30,000,000 operations/min.  
electrically; 200,000 operations/min.
- Operating force: 50GMS
- Releasing force: 60 (min.)
- Over travel: 1.2mm (min.)
- Movement differential: 0.8mm (max.)
- Free position: 13.6mm (max.)
- Operating position: .346"±.031"
- Electrical ratings: 5A 125VAC
- Circuit type: SPDT

Your source for quality electronics. Toll-free full service

**(800) 346-6873**

<http://www.mouser.com>



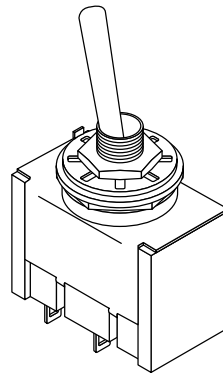


### Dimensions (In.)

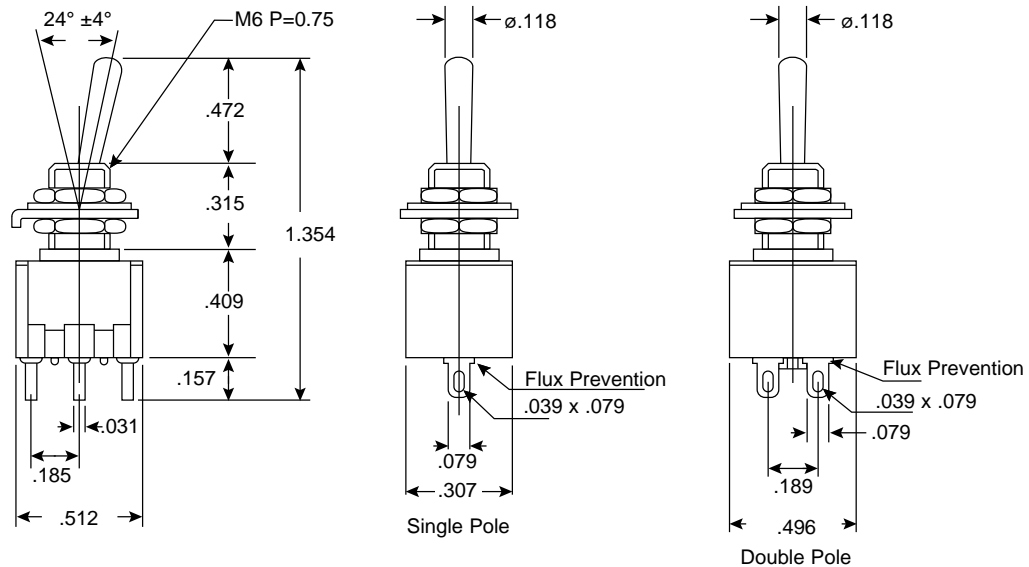
#### Specifications:

- Type: hi-current standard lever
- Terminals: solder
- Contact resistance: 20mΩ (max)
- Insulation resistance: 500VDC 100MΩ (min)
- Voltage breakdown: 1,000VAC for 1 minute

Mouser Stock No.	Type	No. of Terminals	Circuit	Rating
10TC320	SPST	2P	on-off	10A /.125VAC
10TC330	SPDT	3P	on-on	10A /.125VAC
10TC335	SPDT	3P	on-off-on	6A /.125VAC



Dimensions (In.)



**Specifications:**

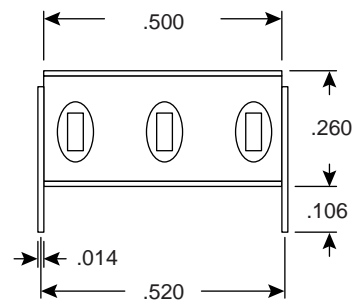
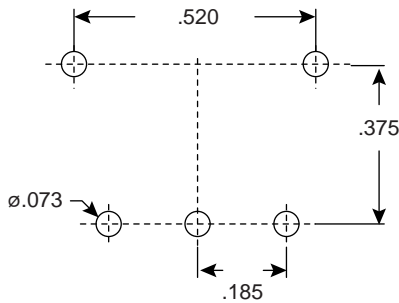
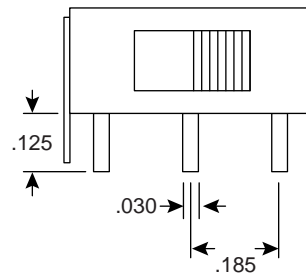
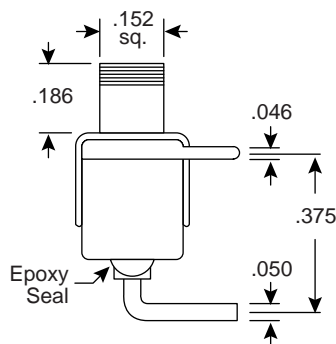
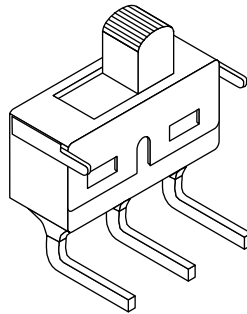
- Rating: 3A @ 125VAC (1A @ 250VAC)
- Contact resistance: 20mΩ (max.)
- Insulation resistance: 500VDC 100MΩ (min.)
- Voltage breakdown: 1000VAC for 1 minute
- Toggle: nickel plated brass

Mouser Stock No.	Circuit	Terminals	Switching Function
108-MS550K	SPST(2P)	Solder	On - Off
108-MS550A	SPDT(3P)		On - On
108-MS550C	SPDT(3P)		On - Off - On
108-MS550H	DPDT(6P)		On - Off - On

Your source for quality electronics. Toll-free full service

**(800) 346-6873**

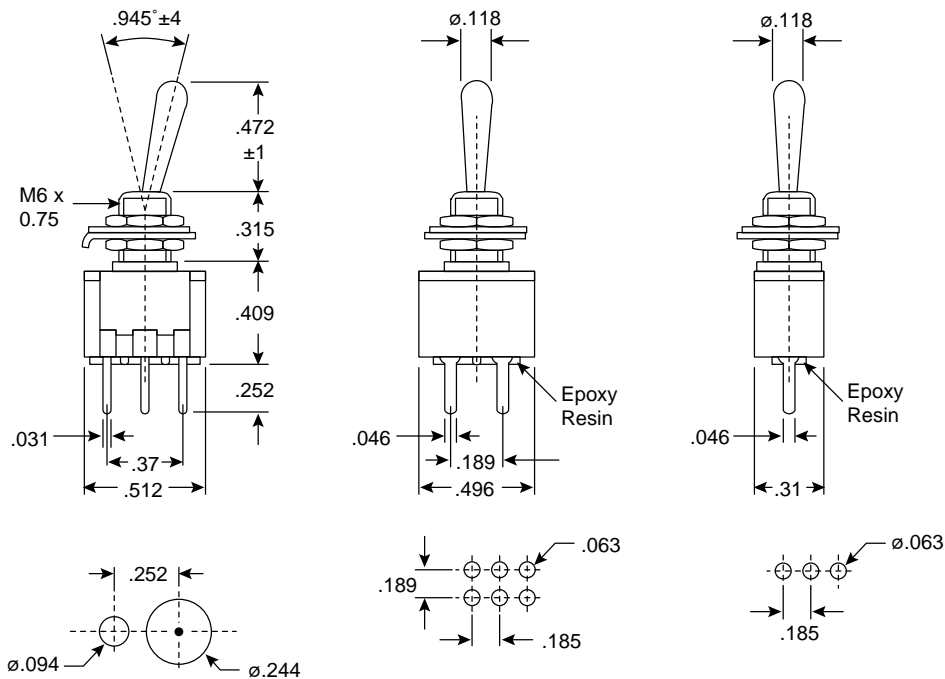
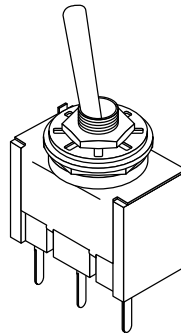
<http://www.mouser.com>



### Dimensions (In.)

#### Specifications:

- Type: right angle, SPDT
- Contact rating: 5A with resistive load @ 120VAC or 28VDC; 2A with resistive load @ 250VAC
- Contact resistance: 10mΩ max. initially
- Electrical life: 30,000 actuations @ full load
- Insulation resistance: 1000MΩ min.
- Dielectric strength: 1,000VRMS @ sea level
- Operating temperature: -30°C~+85°C
- Case: diallyl phthalate (DAP)
- Housing: stainless steel
- Slide handle: nylon
- End terminals: silver plated coin silver
- Center contacts & body: silver plated brass



Dimensions (In.)

**Specifications:**

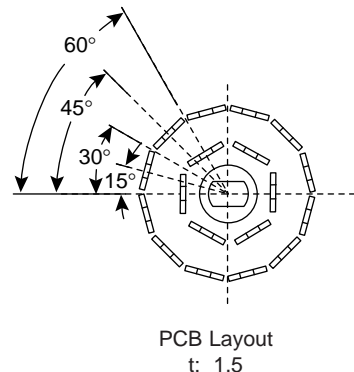
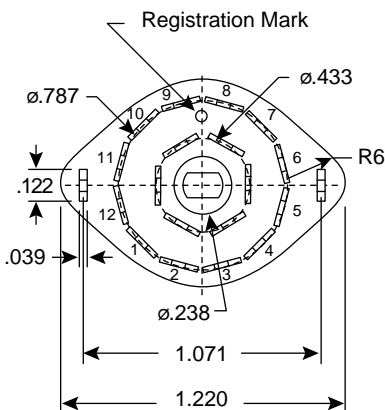
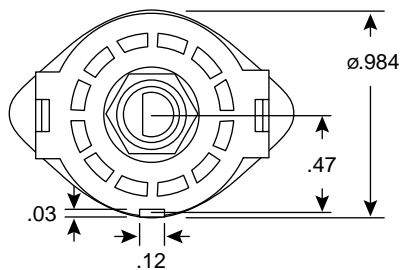
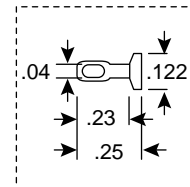
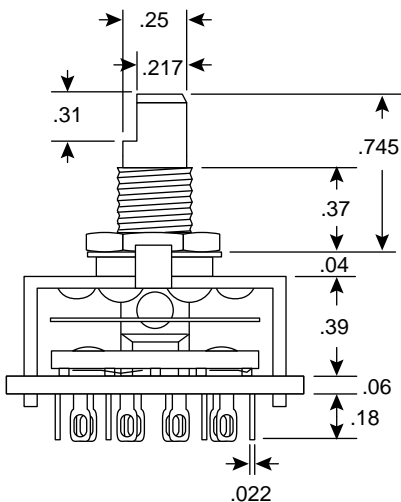
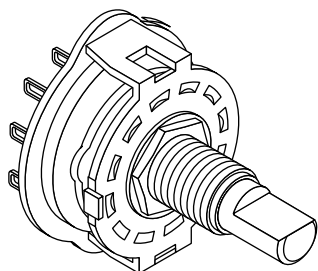
- Rating: 20mA/25VAC
- Electrical life: >50,000 cycles
- Voltage breakdown: 1000VAC for 1 minute (terminal-terminal)  
1500VAC for 1 minute (terminal-earth)
- Insulation resistance: 1000MΩ (min.)
- Contact resistance: 1mA/0.1VAC @ 20mΩ
- Mechanical life: 100,000 cycles
- PC mount
- Gold plated contacts and terminals

Mouser Stock No.	Circuit	Switching Function
108-MS510A	(SPDT)	On-On
108-MS510C	(SPDT)	On-Off-On
108-MS510F	(DPDT)	On-On
108-MS510H	(DPDT)	On-Off-On

Your source for quality electronics. Toll-free full service

**(800) 346-6873**

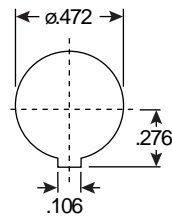
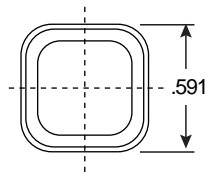
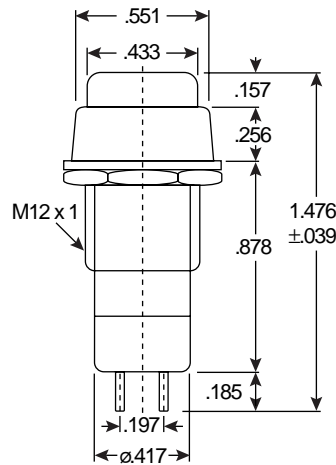
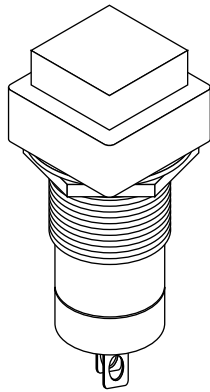
<http://www.mouser.com>



**Dimensions (In.)**

**Specifications:**

- Type: non-shorting contact (break before make)
- Poles: 6
- Positions: 2
- Rating: 0.3A @ 125VAC
- Contact resistance: 30mΩ max. @ 1A
- Insulation resistance: 10MΩ @ 500VDC min.
- Withstand voltage: 500VAC for 1 minute
- Rotation torque: 1~3KG/cm
- Hardware included: 1 hexagon nut & 2 washers
- Shaft: 1/4"
- Thread size: 3/8- 32NEF

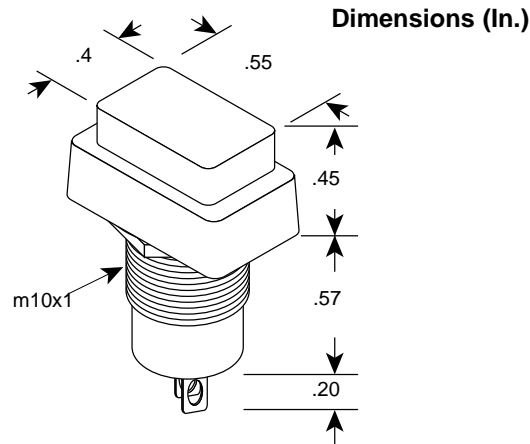


Mounting Hole

### Dimensions (In.)

#### Specifications:

- Type: push button
- Circuit: 2P SPST
- Switching function: on-off alternate (107-MS198); off-(on) momentary (107-MS199)
- Rating: 3A @ 250VAC
- Contact resistance: 20mΩ max.
- Insulation resistance: 500VDC 100MΩ min.
- Voltage breakdown: 1500VAC for 1 minute
- Color: red, black (107-MS198); red (107-MS199)

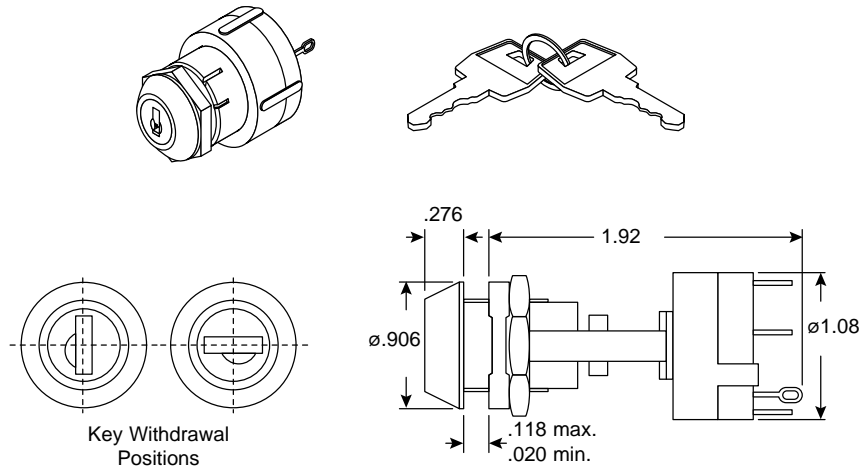
**Specifications:**

- Mechanical life: 100,000 operations
- Electrical life: 50,000 operation
- Rating: 3A @ 125VAC  
1A @ 250VAC
- Insulation resistance: 500VDC, 100M $\Omega$  (min)
- Voltage breakdown: 1500VAC for 1 minute
- Contact resistance: 2.5VDC 1A 20m $\Omega$  (max)
- Switching function: on-off (alternate)
- Circuit: SPST (2P)
- Button type: rectangular
- Button color or treatment: metal plated
- Frame color or treatment: metal plated

Your source for quality electronics. Toll-free full service

**(800) 346-6873**

<http://www.mouser.com>



### Dimensions (In.)

#### Specifications:

- Maximum working voltage: 300VAC/DC resistive load
- Proof voltage: 1,000V RMS min.
- Current carrying capacity: 5A (non-switching)
- Contact rating: 150mA 250VAC/DC
- Insulation resistance: 25,000 M $\Omega$  min.
- Contact resistance: 50 m $\Omega$  max.
- Operating temperature: -30°C to + 85°C
- Life: > 10,000 cycles
- Operating torque (nominal): 5.6 Ncm.
- End stop torque (minimum): 1.13 Nm.
- Lock type: 8 disk w/anti-pick system
- Lock movement: 90°
- Key type: flat, double entry
- Maximum panel thickness: 3mm
- Poles: 2
- Positions: 2
- Moulding material: glass filled nylon
- Contacts: break-before-make
- Contact & terminal material: silver plated brass
- Contact plating: silver
- Terminals: solder tags

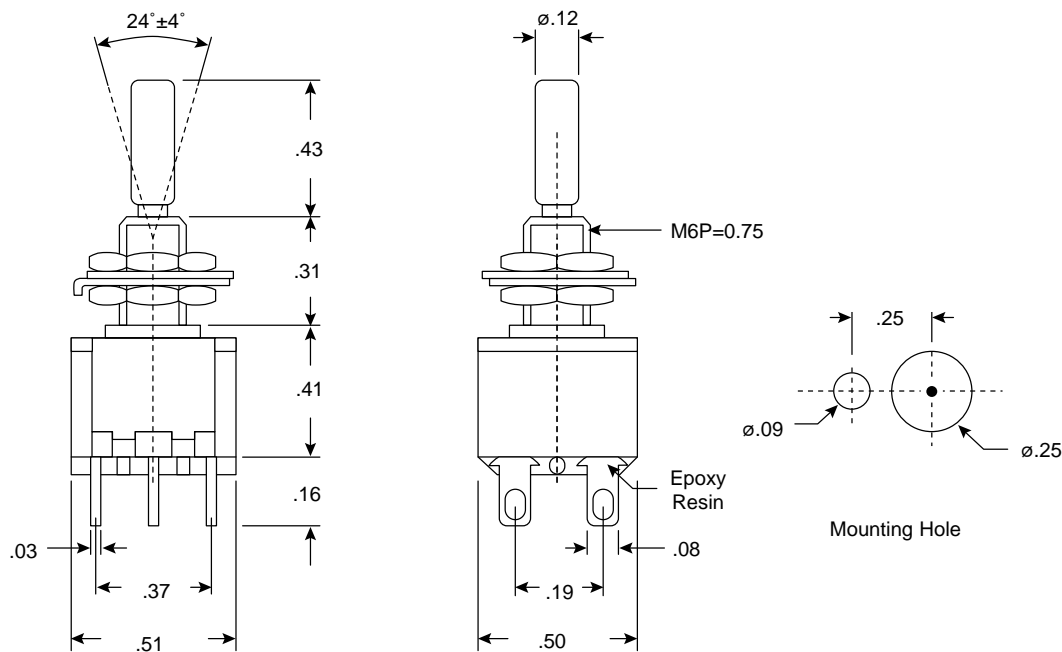
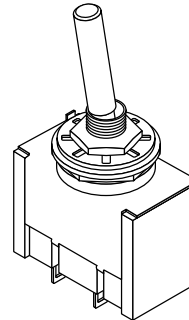
Your source for quality electronics. Toll-free full service

**(800) 346-6873**

<http://www.mouser.com>



## Mountain Switch



Dimensions (In.)

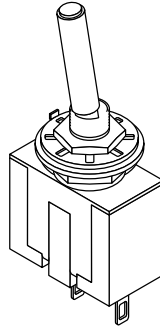
### Specifications:

- Type: SPST
- Circuit: On-Off
- Contact resistance: 20mΩ (max.)
- Breakdown voltage: 1000VAC for 1 minute
- Insulation resistance: 100MΩ (min.) @500VDC
- Rating: 6A/125VAC, 3A/250VAC
- Solder terminals
- Lever tip cover: black

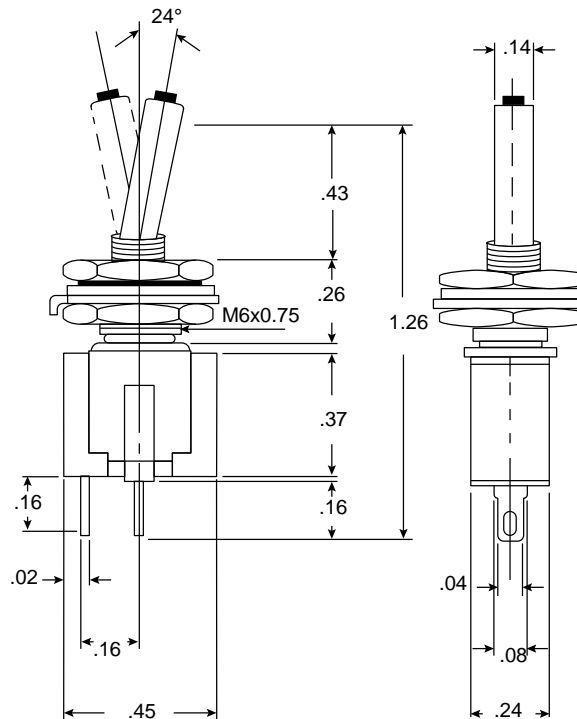
Your source for quality electronics. Toll-free full service

# (800) 346-6873

<http://www.mouser.com>



### Dimensions (In.)



### Specifications:

- Circuit: 2P (SPST)
- Switching function: 2P (on-off)
- Rating: 3A @ 125VAC
- Insulation resistance: 500VDC @ 100M $\Omega$  or more (min)
- Voltage breakdown: 1000VAC for 1 minute
- Contact resistance: 2.5VDC 20m $\Omega$  or less (max)

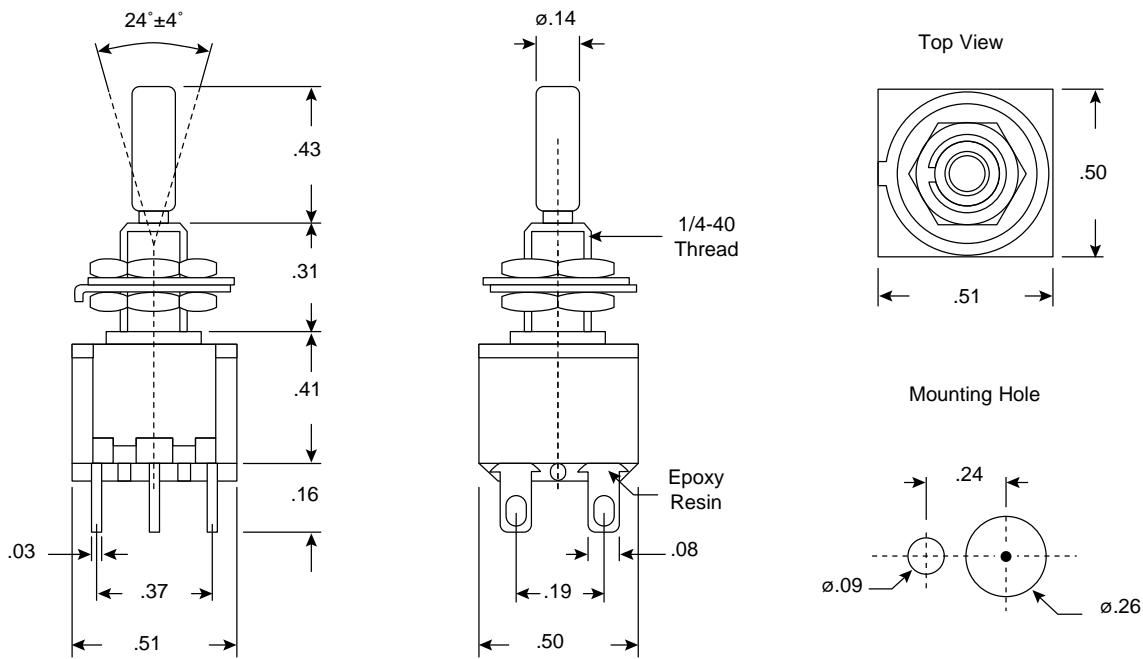
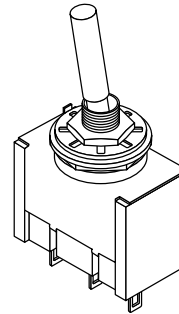
Your source for quality electronics. Toll-free full service

## (800) 346-6873

<http://www.mouser.com>



UL (File No. E128300)



Dimensions (In.)

**Specifications:**

- Contact resistance: 20m $\Omega$  (max.)
- Breakdown voltage: 1000VAC for 1 minute
- Insulation resistance: 100M $\Omega$  (min.) @500VDC
- Rating: 6A/125VAC, 3A/250VAC
- Solder terminals
- Mechanical life: over 30,000 operations
- Electrical life: over 10,000 operations
- Ambient humidity: 85% RH (max.)

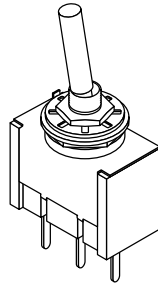
• Part number suffix indicates lever color

Mouser Stock No.	Type	Circuit
108-MS340A-BLK	SPDT	On-On
108-MS340C-BLK	SPDT	On-Off-On
108-MS340F-BLK	DPDT	On-On
108-MS340A-RED	SPDT	On-On
108-MS340C-RED	SPDT	On-Off-On
108-MS340F-RED	DPDT	On-On

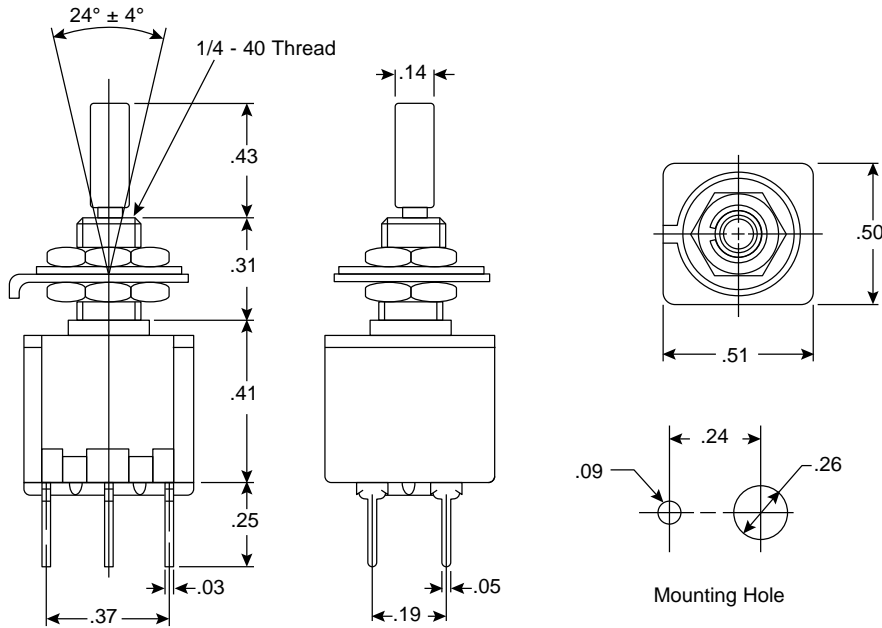
Your source for quality electronics. Toll-free full service

**(800) 346-6873**

<http://www.mouser.com>



**Dimensions (In.)**



**Specifications:**

- Resistance load: 6A @ 125VAC (3A @ 250VAC) (6A @ 30VDC)
- Inductive load: 6A @ 125VAC (power factor 0.8)
- Mechanical life: over 30,000 operations
- Electrical life: over 10,000 operations
- Insulation resistance: over 100MΩ
- Voltage breakdown: 1000VAC for 1 minute (between contact & case)
- Contact resistance: 20mΩ max.
- Ambient humidity: 85% RH max.

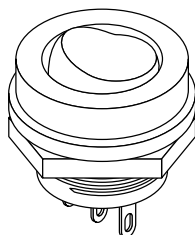
- Part number suffix indicates lever color

Mouser Stock No.	Type	Circuit
108-MS341A-BLK	SPDT	On-On
108-MS341C-BLK	SPDT	On-Off-On
108-MS341F-BLK	DPDT	On-On
108-MS341A-RED	SPDT	On-On
108-MS341C-RED	SPDT	On-Off-On
108-MS341F-RED	DPDT	On-On

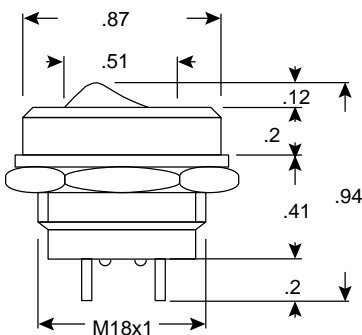
Your source for quality electronics. Toll-free full service

**(800) 346-6873**

<http://www.mouser.com>



Dimensions (In.)



**Specifications:**

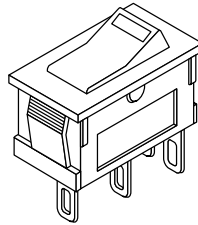
- Rating: 3A @ 250VAC
- Contact resistance: 20m (max)
- Insulation resistance: 500VDC .100MΩ (min)
- Voltage breakdown: 1500VAC for 1 minute
- Color: red black
- Frame color: black (K)  
gold (G)

Mouser Stock No.	Circuit	Terminal	Switching Function
10DS063	SPST	2P	On-Off
10DS064	SPDT	3P	On-On
10DS065	SPDT	3P	On-On
10DS068	DPDT	6P	On-On

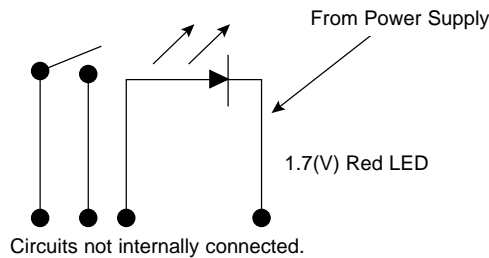
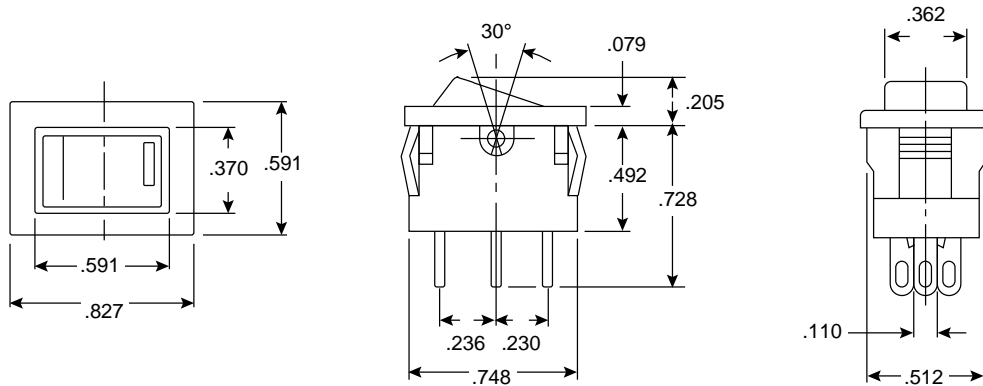
Your source for quality electronics. Toll-free full service

**(800) 346-6873**

<http://www.mouser.com>



Dimensions (In.)



**Specifications:**

- Circuit: SPST (2P)
- Function: on-off
- Rating: 5A @ 125VAC, 3A @ 250VAC
- Insulation resistance: 500VDC 100MΩ (min)
- Voltage breakdown: 1500VAC for 1 minute
- Contact resistance: 2.5VDC 1A 50mΩ (max)

**Absolute Maximum Rating (Ta=25°C)**

Mouser Stock No.	Color	P(mW)	IF(mA)	IFM(mA)	VR(V)	Top. (°C)	Tatg (°C)
107-DS850K-0R	Red	80		300		-30~	-30~
107-DS850K-0G	Green	100	40	100	4	+85	+100
107-DS850K-0Y	Yellow	100		100			

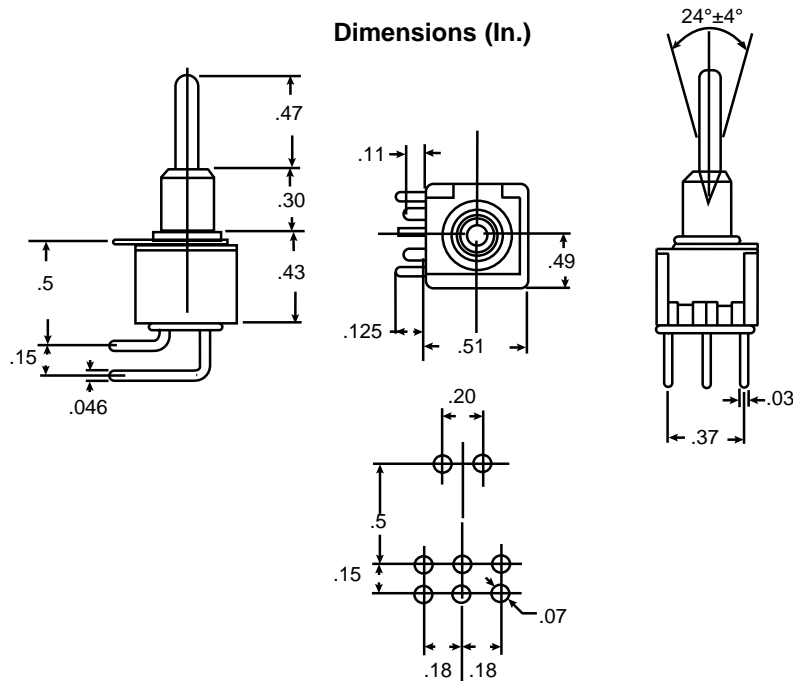
**Electro-Optical Characteristics (IF=20mA, Ta=25°C)**

Mouser Stock No.	Color	VF (typ.) (V)	IR (max) (μA)	Cd(mcd)		λP(typ) (nm)	Δλ (typ) (nm)
				Min	Typ.		
107-DS850K-0R	Red	1.7	100	12	24	660	30
107-DS850K-0G	Green	2.1	100	10	15	570	30
107-DS850K-0Y	Yellow	2.1	100	2	4	555	30

Your source for quality electronics. Toll-free full service

**(800) 346-6873**

<http://www.mouser.com>



**Specifications:**

- Breakdown voltage: 1000 VAC for 1 Min.
- Insulation resistance: 100M (Min.)
- Mechanical life: over 30,000 operations
- Electrical life: over 10,000 operations

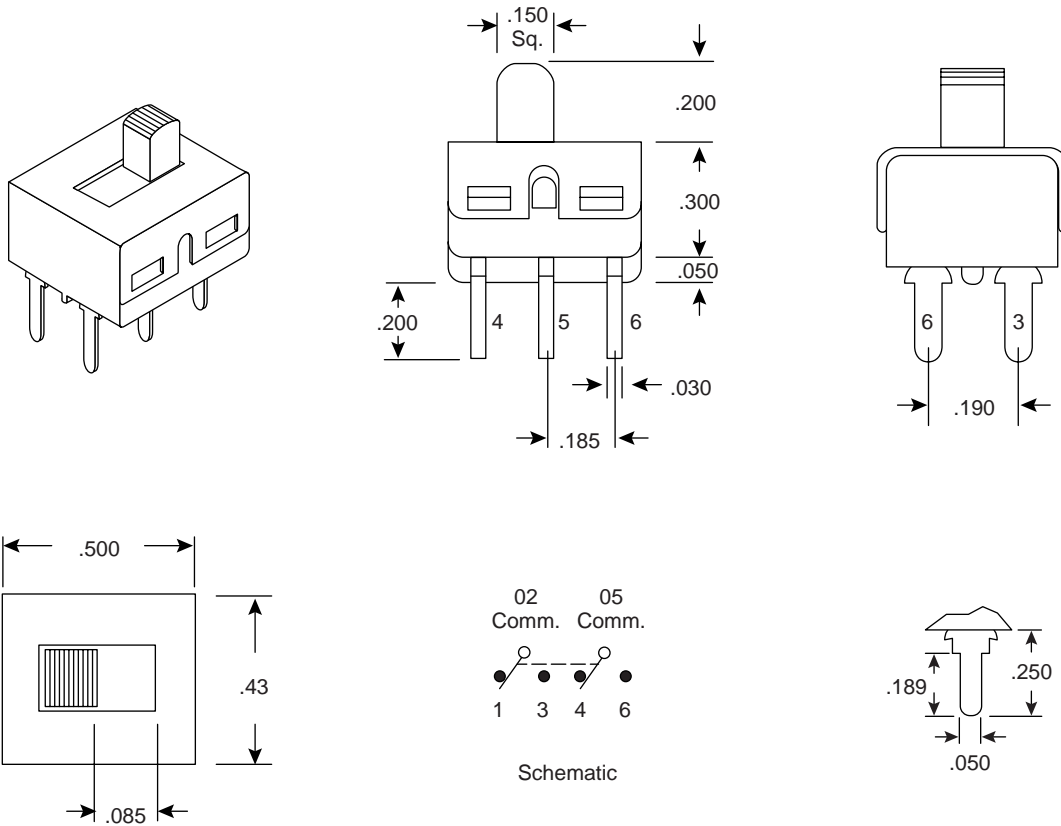
Mouser Stock No.	Type	Circuit
10TF232	SPDT	On-(On)
10TF240	SPDT	On-Off-(On)
10TF245	SPDT	(On)-Off-(On)
10TF270	DPDT	On-Off-(On)
10TF275	DPDT	(On)-Off-(On)

( )=Momentary Contact

Your source for quality electronics. Toll-free full service

**(800) 346-6873**

<http://www.mouser.com>

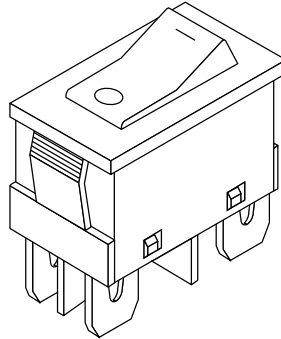


Dimensions (In.)

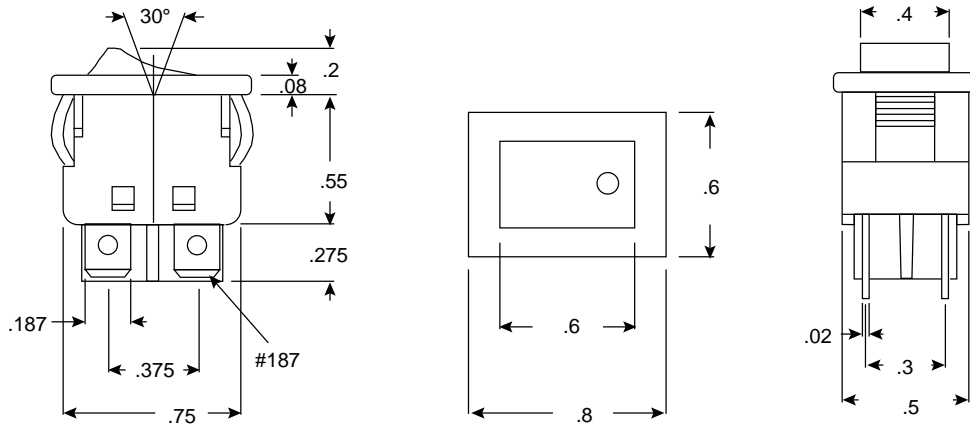
**Specifications:**

- Type: DPDT; On-On
- Contact rating: 5A @ 120VAC or 28VDC, 2A @ 250VAC
- Contact resistance: 10mΩ max. initially
- Electrical life: 30,000 cycles
- Dielectric strength: 1,000VRMS @ sea level
- Operating temperature: -30°C~+85°C
- Insulation resistance: 1,000mΩ min.
- Case: diallyl phthalate (DAP)
- Housing: stainless steel
- Slide handle: nylon
- End terminals: silver plated coin silver
- Center contacts & body: silver plated brass





Dimensions (In.)

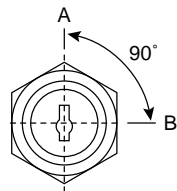
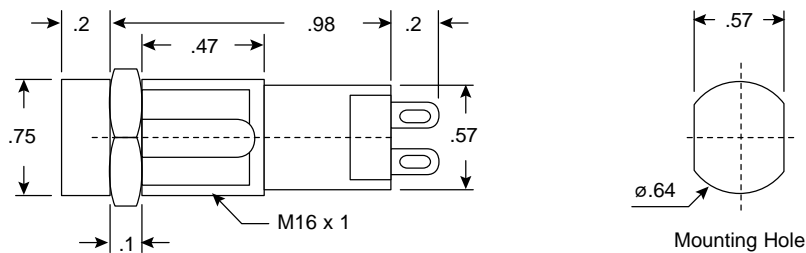
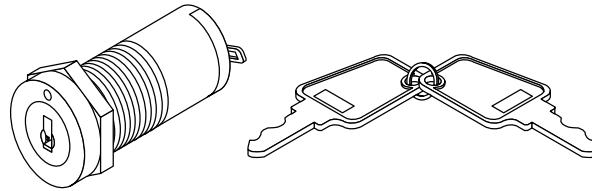


**Specifications:**

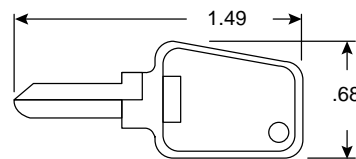
- Insulation resistance: 500VDC, 200M $\Omega$  min.
- Voltage breakdown: 2000VAC, 1 minute
- Contact resistance: 2.5VAC, .1A 20m $\Omega$  max.
- Circuit: DPST
- Terminal: faston tab
- Switching function: on-off
- Rating: 10A, 250VAC

Your source for quality electronics. Toll-free full service

**(800) 346-6873**



Key Positions



### Dimensions (In.)

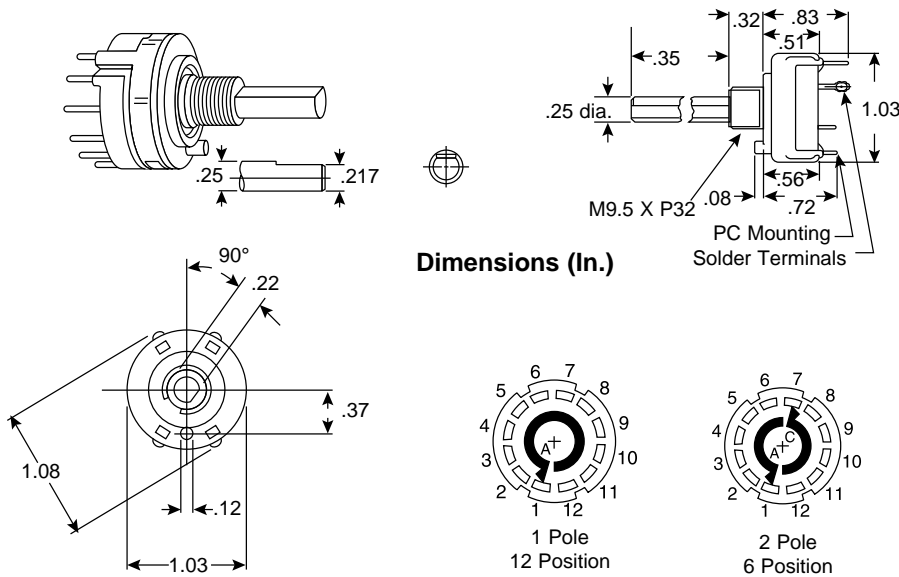
#### Specifications:

- Type: SPST(2P)
- Circuit: On-Off
- Rating: 3A/125VAC, 1A/250VAC
- Complete w/ two keys & mounting hardware
- Life: 30,000 cycles
- Contact resistance: 20mΩ (max.)
- Insulation resistance: 100MΩ (min.)@ 500VDC
- Voltage breakdown: 1000VAC for 1 minute
- Available keyed alike
- Key removable: 107-DS770R- "A" position only  
107-DS771W- "A" & "B" positions

Your source for quality electronics. Toll-free full service

**(800) 346-6873**

<http://www.mouser.com>



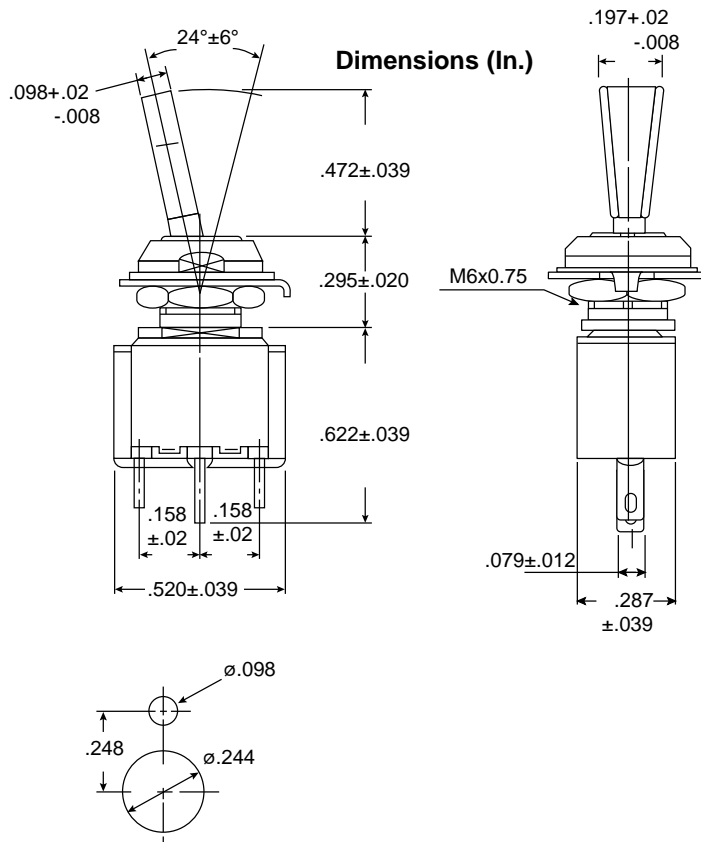
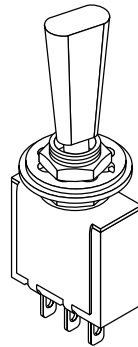
Dimensions (In.)

**Specifications:**

- Maximum working voltage: 300VAC/DC resistive load
- Proof voltage: 1,000 RMS min.
- Current carrying capacity: 5A (non-switching)
- Contact rating: 150mA 250VAC/DC
- Insulation resistance: 25,000MΩ min.
- Contact resistance: 50mΩ min.
- Operating temperature: -30°C to +85°C
- Life: greater than 10,000 cycles
- Operating torque (nominal): 5.6Ncm
- End stop torque (minimum): 1.13 Nm
- Moulding material: glass filled nylon
- Contact / terminal material: silver plated brass

Mouser Stock No.	Poles	Pos. NS (max.)	SL (In)
10WC204	1	12	3/8
10WC205	2	6	3/8
10WC224	1	12	1/2
10WC225	2	6	1/2
10WC244	1	12	1 3/16
10WC245	2	6	1 3/16

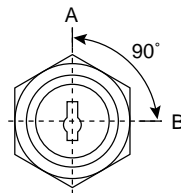
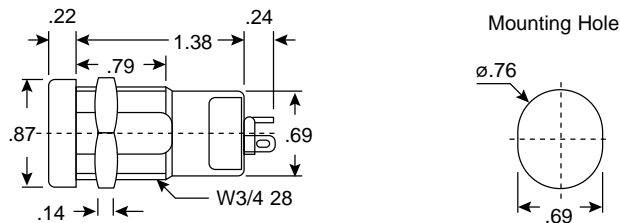
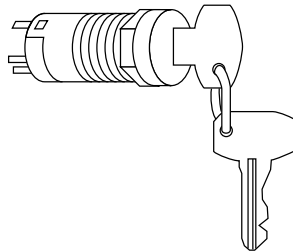
Your source for quality electronics. Toll-free full service  
**(800) 346-6873**



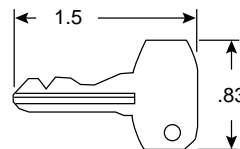
**Specifications:**

- Rating: 6A @ 125VAC, 3A @ 250VAC
- Contact resistance: 20m $\Omega$  max
- Insulation resistance: 500VDC 100M $\Omega$  min
- Dielectric strength: 1000VAC for 1 minute
- Electrical life: 10,000 cycles
- Machine life: 100,000 cycles
- Operating temperature: -20°C ~ 65°C
- Terminal option: solder terminal
- Circuit: 3P SPDT on-on

Your source for quality electronics. Toll-free full service  
**(800) 346-6873**



Key Positions



### Dimensions (In.)

#### Specifications:

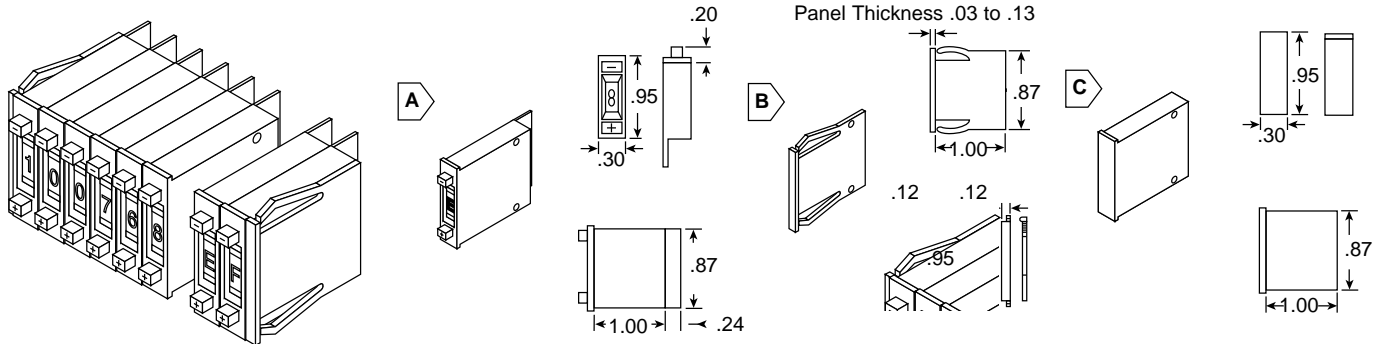
- Type: SPDT(3P)
- Circuit: On-On
- Rating: 1A/125VAC
- Complete w/ two keys & mounting hardware
- Contact resistance: 20mΩ (max.)
- Insulation resistance: 100MΩ (min.) @ 500VDC
- Voltage breakdown: 1000VAC for 1 minute
- Available keyed alike
- Solder terminals
- Key removable: 107-SS232- "A" position only  
107-SS233- "A" & "B" positions

Your source for quality electronics. Toll-free full service

**(800) 346-6873**

<http://www.mouser.com>

### Dimensions (In.)



#### Mechanical Specifications:

- Mechanical life: 200,000 operations
- Electrical life: 100,000 operations
- Operating temperature: -20°C to +65°C

#### Electrical Specifications:

- Operating voltage: 50VAC/28VDC (max.)
- Switching current: 100mA (max.)
- Carrying current: 1A (max.)
- Contact resistance: 200mΩ (max.)
- Insulation resistance: between common and any output: 10MΩ (min.)  
between output and non-carrying part: 1000MΩ (min.)
- Breakdown voltage (for 1 minute): between common and any output: 800VAC  
between output and non-carrying part: 1000VAC

#### Material Specifications:

- Housing, blanks, endcaps, wheels, and pushwheel: black thermoplastic
- Contacts: hard gold on phosphor bronze
- Printed circuit boards: hard gold over nickel plate on .031" epoxy laminate

#### Truth Table

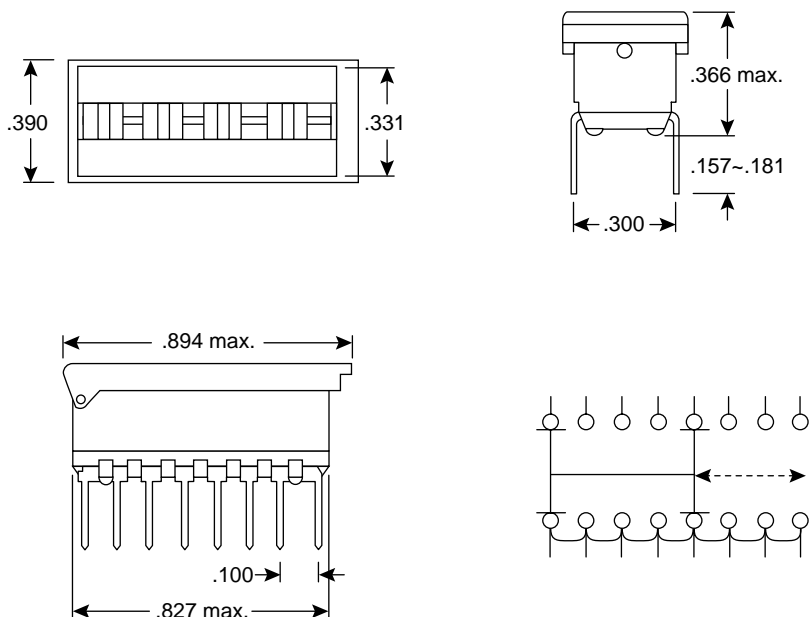
Wheel	C Connected to Terminals				
	1	2	4	8	C
0					•
1	•				•
2		•			•
3	•	•			•
4			•		•
5	•		•		•
6		•	•		•
7	•	•	•		•
8				•	•
9	•			•	•
A		•		•	•
B	•	•		•	•
C			•	•	•
D	•		•	•	•
E		•	•	•	•
F	•	•	•	•	•

Mouser Stock No.	Fig.	Description
106-9904	A	Single section, hexadecimal switch
106-9901	B	Standard width end cap, right
106-9902	B	Standard width end cap, left
106-9903	C	Standard width blank

Your source for quality electronics. Toll-free full service

**(800) 346-6873**

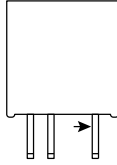
<http://www.mouser.com>



### Dimensions (In.)

#### Specifications:

- Contact ratings: 30V, 250mA 7.5VA max. (switching); 240VAC, 2A (non switching)
- Initial contact resistance: 18m $\Omega$  typ., 30m $\Omega$  max. @10mV 10mA max.
- Life: 1,000 cycles typ. (within rated load)
- Temperature range: -55 $^{\circ}$ ~+85 $^{\circ}$ C



Dimensions (In.)

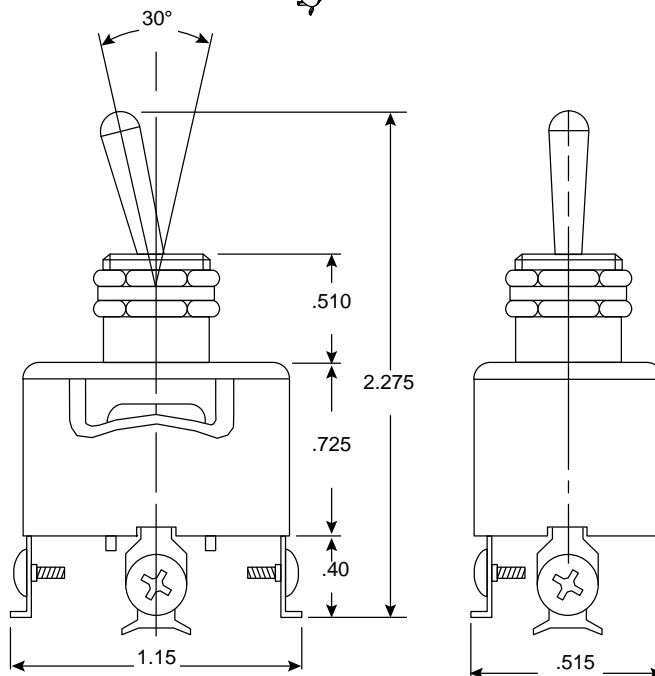
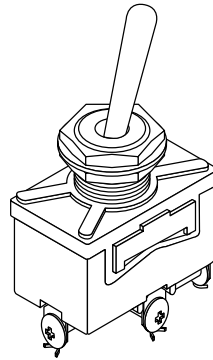
**Specifications:**

- Principal electrical & performance data @ 20°C, 70% R.H.
- Contact rating: non switching 100VAC, 5A  
switching 1μV to 100V, 1μA to 1A up to 10VA
- Initial contact resistance (@ 10mV, 10mA max.): typical 10mΩ max. 20mΩ
- Insulation resistance (@ 500VDc min.): 10,000MΩ
- Life: for the first 1000 closures the standard deviation of the change in resistance from the mean is usually less than 1mΩ. Mechanical wear out of the sliding actuator is usually observed after 10,000 operations.
- Dielectric strength: 1 minute 500Vrms 50 Hz
- Capacitance between open contacts: < 1pf. @ 1KHz
- Temperature: operating range for continuous electrical use and manual operation is restricted to -55°C to +85°C for standard products. We also have available the 9CS-023 series for use upto to 100°C and above.
- Operating force: per pole - typical 4N
- Humidity: BS 2011 test Ca 56 days
- Bump: BS 2011 test Eb. no. contact interruptions > 1μs during 4000 bumps @ 390m/s<sup>2</sup> (40g)
- Acceleration: BS 2011 test Ga. no contact interruptions > 1μs during test @ 980 m/s<sup>2</sup> (100g)
- Vibration: BS 2011 test Fc 10 to 2000 Hz. no contact interruptions > 1μs during test @ 147 m/s<sup>2</sup> (15g) ro 1.0mm displacement amplitude
- Shock: BS 20111 test Ea. 980 m/s<sup>2</sup> (15g) or 1.00 mm displacement amplitude
- Soldering: solderability < 2 seconds to wet ! 235°C as per IEC 68 and BS 2011 test T, solder bath method resistance to soldering heat as per IEC 68 and BS 2011 2q10 seconds satisfactory @ 260°C when counting on 1.5mm p.c.b.

Mouser Stock No.	No. of Circuits	Length (mm) max.
10CS202	2	6.7
10CS402	4	11.8
10CS602	6	16.8
10CS802	8	21.9
10CS102	10	27.0

Your source for quality electronics. Toll-free full service  
**(800) 346-6873**  
<http://www.mouser.com>





Dimensions (In.)

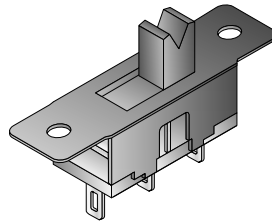
**Specifications:**

- Breakdown voltage: 1500VAC
- Rating: 10A @ 250VAC, 20A @ 125VAC
- Insulation resistance: 100M $\Omega$  (min.) @ 500VDC
- Contact resistance: 50M $\Omega$  (max.)
- Type: SPDT
- Circuit: on-off-on

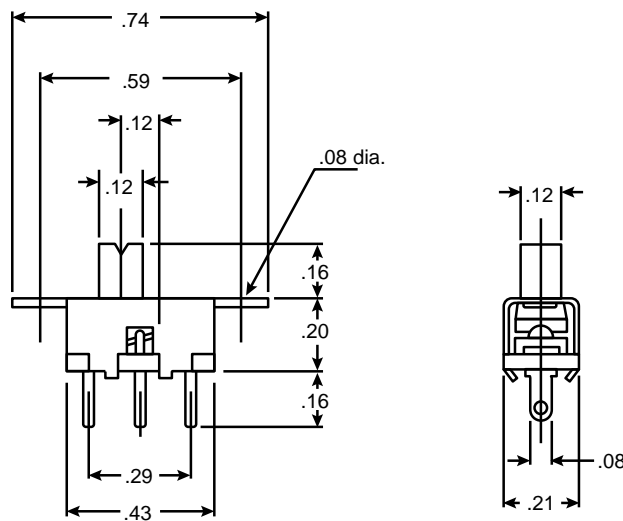
Your source for quality electronics. Toll-free full service

**(800) 346-6873**

<http://www.mouser.com>



### Dimensions (In.)



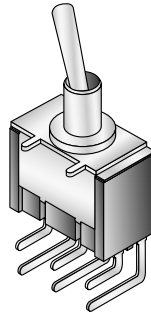
### Specifications:

- Circuit: on-on
- Type: SPDT
- Knob height: .16 inches
- Rating: .3A @ 125V
- Contacts: silver plated brass

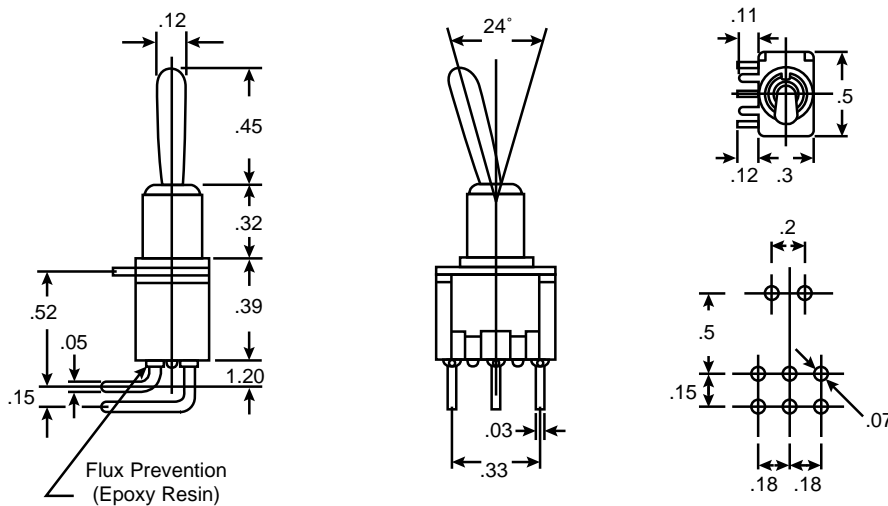
Your source for quality electronics. Toll-free full service

**(800) 346-6873**

<http://www.mouser.com>



**Dimensions (In.)**

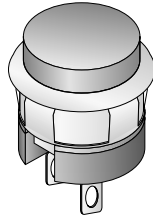


**Specifications:**

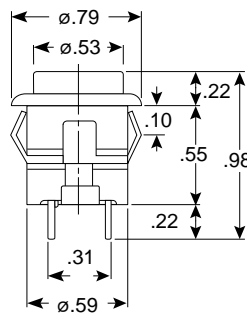
- Type: DPDT
- Circuit: ON-OFF-ON
- Current rating: 6A/125VAC, 3A/250VAC
- Mechanical life: over 30,000 operations
- Electrical life: over 10,000 operations
- Breakdown voltage: 1,000VAC for one minute
- Insulation resistance: 100MΩ (min.)
- Terminals: gold plated
- Right angle PC mount

Your source for quality electronics. Toll-free full service

**(800) 346-6873**



### Dimensions (In.)



### Specifications:

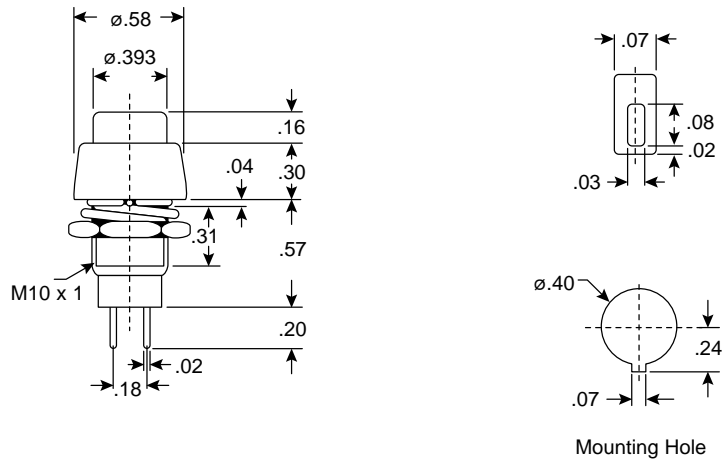
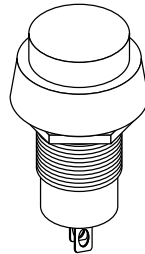
- Switching function: off-(on) (momentary)
- Rating: 3A @ 125VAC
- Contact resistance: 20mΩ (max.)
- Insulation resistance: 100MΩ (min.) @ 500VDC
- Voltage breakdown: 1000VAC for 1 minute
- Mounting hole:  $\varnothing$ .64 inches

### Material Specifications:

- Push button: molded ABS resin
- Case: nickel plated brass
- Mounting plate: nickel plated brass
- Insulating spacer: phenolic sheet
- Switch body: molded phenolic resin
- Terminals: silver plated copper sheet

Mouser Stock No.	Type	Color
10PT561	SPST	Red
10PT562	SPST	Black
10PT563	SPST	Cream

Your source for quality electronics. Toll-free full service  
**(800) 346-6873**



Dimensions (In.)

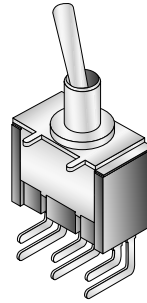
**Specifications:**

- Mechanical life: 100,000 operations
- Electrical life: 50,000 operations
- Rating: 3A @ 125VAC, 1A @ 250VAC
- Switch circuit: SPST
- Switching function: ON-OFF
- Contact material: silver plated silver-clad copper

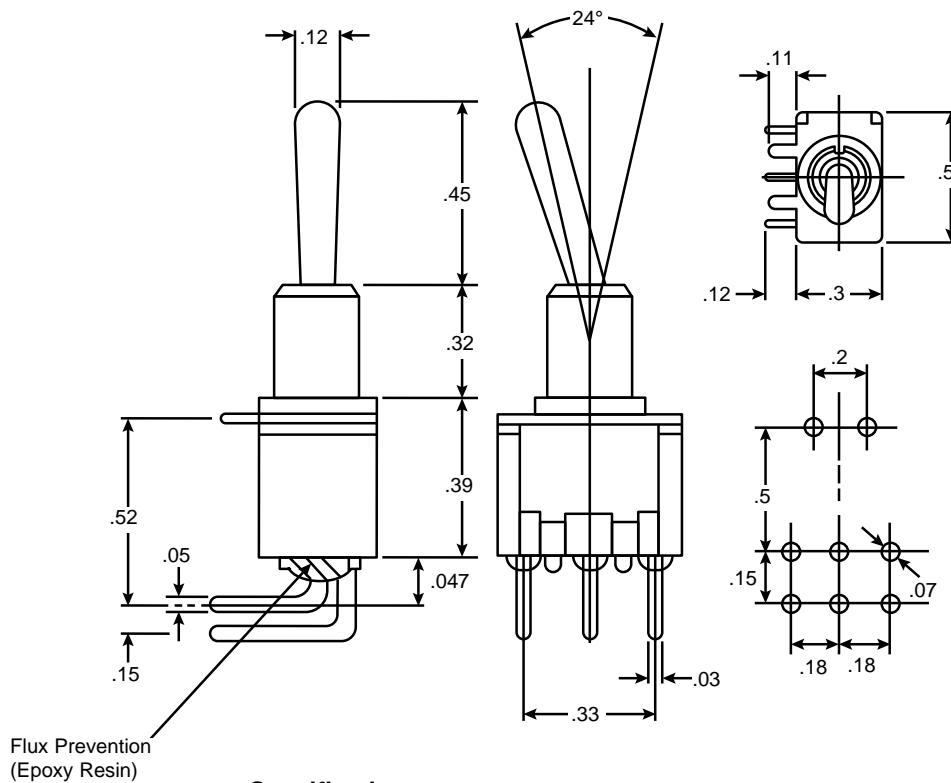
Your source for quality electronics. Toll-free full service.

**(800) 346-6873**

<http://www.mouser.com>



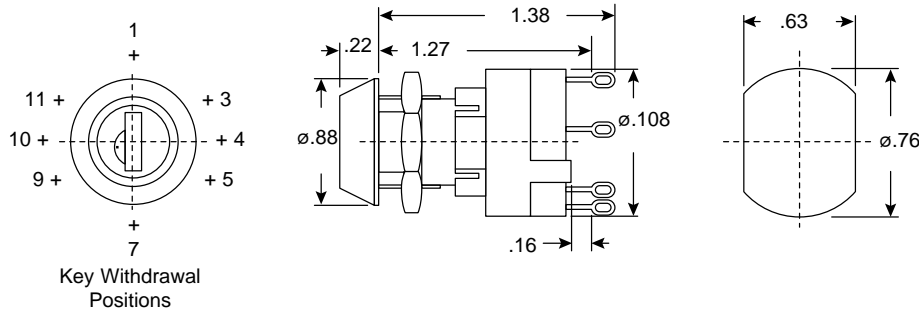
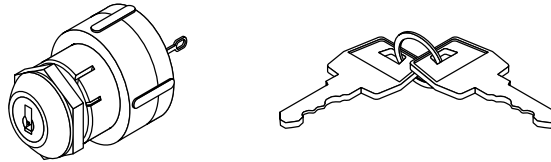
**Dimensions (In.)**



**Specifications:**

- Breakdown voltage: 1000VAC for 1 minute
- Insulation resistance: 100MΩ (min.)
- Mechanical life: over 30,000 operations
- Electrical life: over 10,000 operations
- ( ) = Momentary contact
- Type: DPDT
- Circuit: on-(on)
- Color: nickel plated brass
- Rating: 6A @ 125VAC, 3A @ 250VAC
- Terminals: gold plated

Your source for quality electronics. Toll-free full service  
**(800) 346-6873**



Dimensions (In.)

### Specifications:

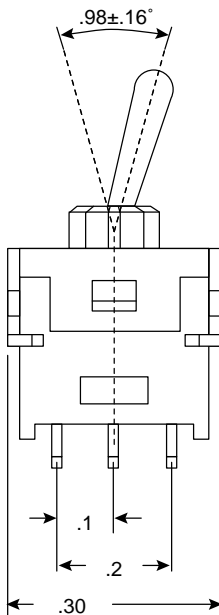
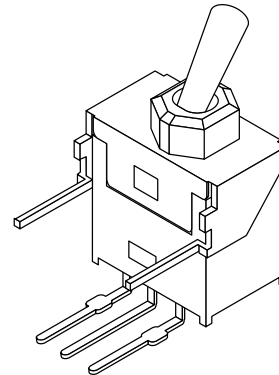
- Lock type: 5 disc
- Lock movement: 60° or 90° steps
- Lock combinations: 200 differs or same for all
- Key type: flat, single entry
- Maximum panel thickness: 3.4mm
- Module type: snap-on
- Module indexing angles: 30°, 60°, 90° (keys can only be inserted or w/drawn @ 60° & 90°)
- Voltage breakdown: 1,000VAC for 1 minute
- Insulation resistance: 100MΩ (min.)
- Contact resistance: 20mΩ (max.)
- Rating: 5A/125VAC, 3A/250VAC
- Life: 30,000 cycles
- Housing: chrome plated brass
- Terminals: solder
- Complete w/ two keys & mounting hardware

Your source for quality electronics. Toll-free full service

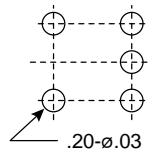
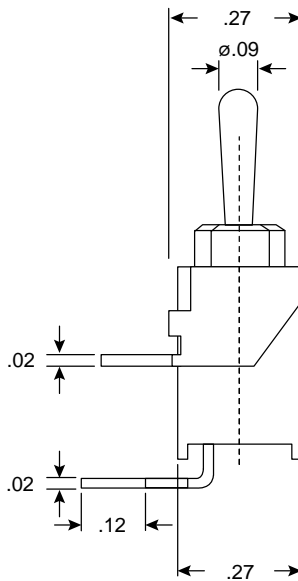
**(800) 346-6873**

<http://www.mouser.com>

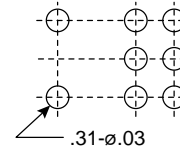
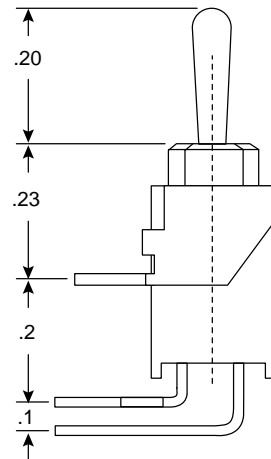
Mouser Stock No.	Type	Circuit
108-MS200A-21	SPDT (3P)	On-On
108-MS200C-21	SPDT (3P)	On-Off-On
108-MS200F-21	DPDT (6P)	On-On
108-MS200H-21	DPDT (6P)	On-Off-On



Dimensions (In.)



Mounting Hole  
SPDT (3P)



Mounting Hole  
DPDT (6P)

**Specifications:**

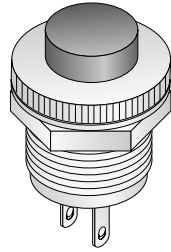
- Rating: 0.4VA, 28VAC or DC
- Contact resistance: 50mΩ (max.)
- Insulation resistance: 1000MΩ (min.)
- Operating temperature: -20°C ~ +80°C
- Operating life: 100,000 cycles
- Breakdown voltage: 500VAC @ 50/60Hz for 1 minute within 3 seconds
- Lever: metal
- Easily installed on crowded PC boards
- Ultra miniature & light weight
- Water resistant & dust proof
- Solderable @ 270°C within 5 seconds or 350°C

Your source for quality electronics. Toll-free full service

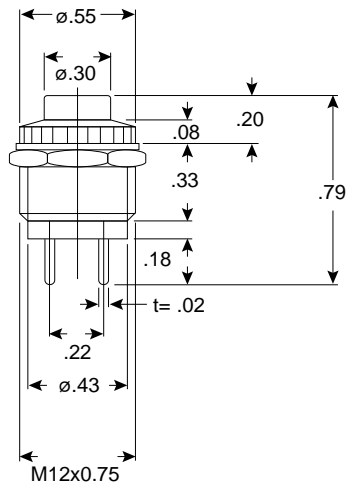
**(800) 346-6873**

<http://www.mouser.com>





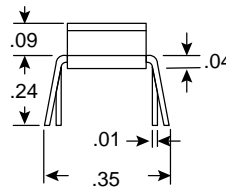
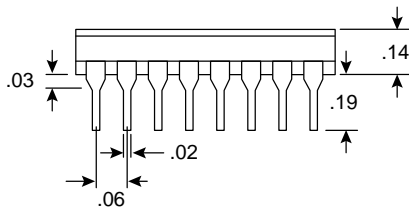
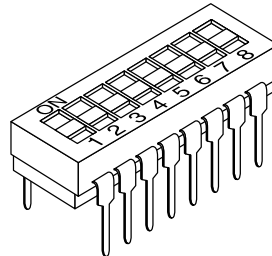
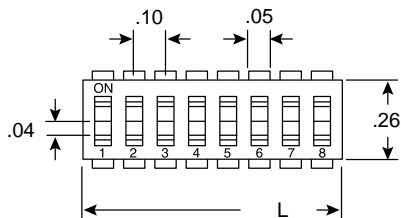
### Dimensions (In.)



### Specifications:

- Circuit: 2P SPST
- Switching function: off-(on) (momentary)
- Rating: 1A @ 125VAC
- Contact resistance: 20m $\Omega$  (max.)
- Insulation resistance: 100M $\Omega$  (min.) @ 500VDC
- Voltage breakdown: 1000VAC for minute
- Color: black

Your source for quality electronics. Toll-free full service  
**(800) 346-6873**



Dimensions (In.)

**Specifications:**

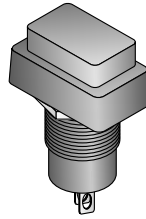
- Type: SPST
- Rating: 50VDC @ 100mA (non-switching)  
24VDC @ 25mA (switching)
- Contact resistance: 50mΩ (max.)
- Dielectric strength: 500VAC for 1 minute
- Insulation resistance: 1000MΩ (min.)
- Contacts: self-cleaning, bifurcated
- Miniature case size
- Tape-sealed for flux cleaning
- Recessed actuators
- Suitable for automatic insertion

Mouser Stock No.	L (In.)	No. of Pins
106-1102	.26	2
106-1104	.46	4
106-1106	.66	6
106-1108	.86	8

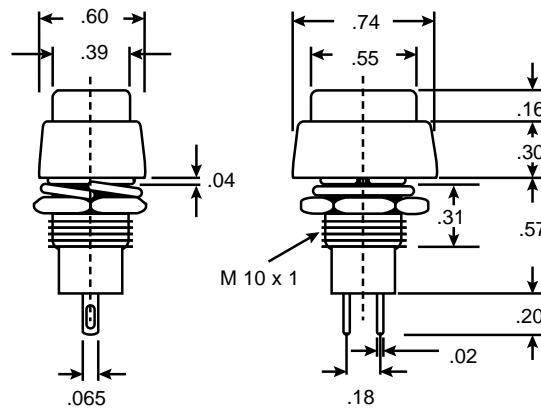
Your source for quality electronics. Toll-free full service

**(800) 346-6873**

<http://www.mouser.com>



**Dimensions (In.)**

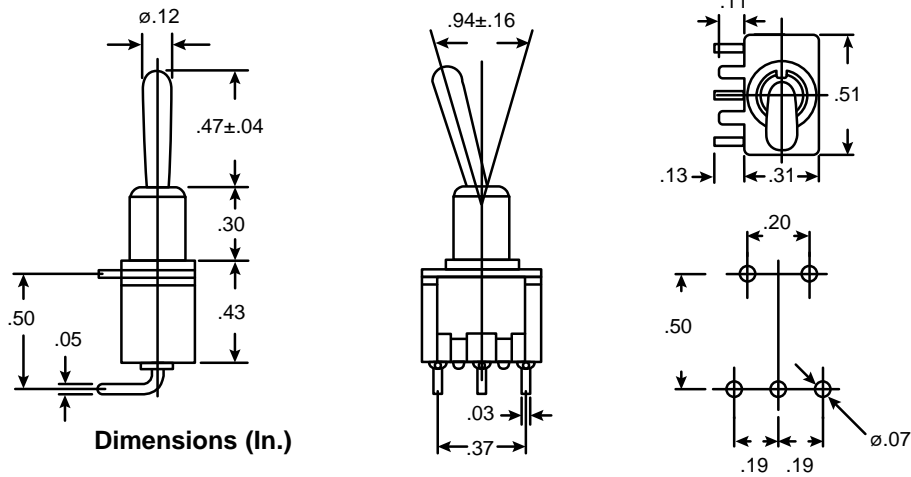


**Specifications:**

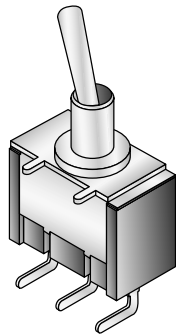
- Mechanical life: 100,000 operations
- Electrical life: 50,000 operations
- Rating: 3A @ 125VAC, 1A @ 250VAC
- Mounting hole: .40 inches
- Circuit: SPST
- Insulation resistance: 500VDC 100MΩ min.
- Voltage breakdown: 1500VAC for 1 minute
- Contact resistance: 20mΩ max. @ 2.5VDC and 1A

Mouser Stock No.	Button Color	Frame Color	Circuit
10PA343	Black	Black	OFF-(ON)
10PA345	Metal	Black	OFF-(ON)

Your source for quality electronics. Toll-free full service  
**(800) 346-6873**



Dimensions (In.)



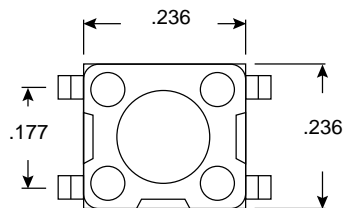
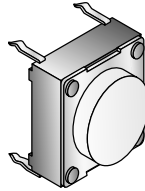
**Materials:**

- Layer: chrome plated brass
- Bushing: nickel plated brass
- Plate: nickel plated brass
- Cover plate: stainless steel
- Case: molded melamine-phenolic
- Terminals: copper sheet with gold flash

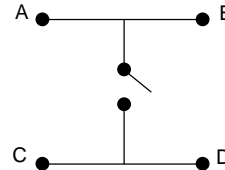
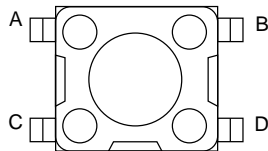
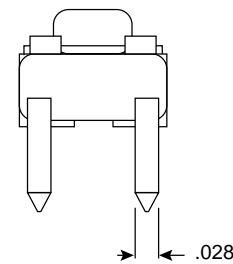
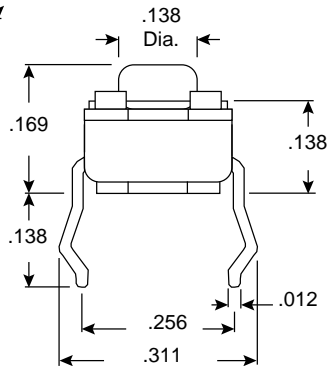
**Specifications:**

- Rating: 6A @ 125VAC
- Circuit: SPDT (3P) ON-OFF-ON
- Contact resistance: 20m $\Omega$  or less @ 2.5VDC and 1A
- Insulation resistance: 100M $\Omega$  @ 500VDC
- Dielectric strength: 1,000VAC, 50/60 Hz for 1 minute
- Durability: Rated load with resistance-5,000 cycles  
NO-LOAD-30,000 cycles

Your source for quality electronics. Toll-free full service  
**(800) 346-6873**

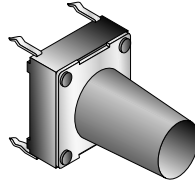
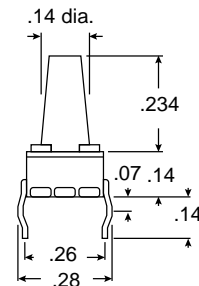
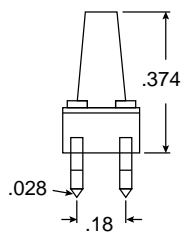
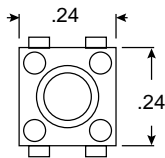
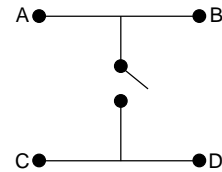


**Dimensions (In.)**



Power Rating (VDC)	Insulation Resistance (MΩ min.)	Contact Bounce	Operating Force (gf)	Operating life Cycles (min.)	Operating Temp Range (°C)
24V, 50mA	100 @ 100VDC	5m sec. max.	100	100,000	-25to+70

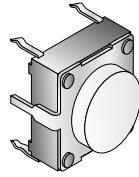
Your source for quality electronics. Toll-free full service  
**(800) 346-6873**

**Dimensions (In.)****Specifications:**

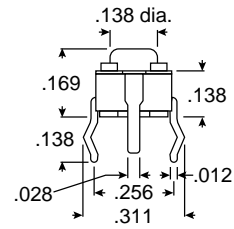
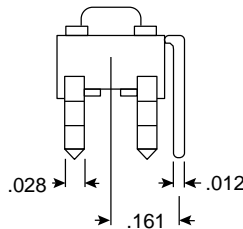
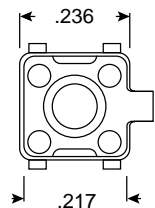
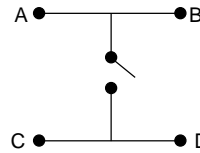
- Power rating: 24VDC, 50mA
- Insulation resistance: 100M $\Omega$  min. @ 100VDC
- Contact bounce: 5m sec. max.
- Operating force: 160gf
- Operating life cycles: 100,000 min.
- Operating temperature range: -25°C to +70°C

Your source for quality electronics. Toll-free full service

**(800) 346-6873**



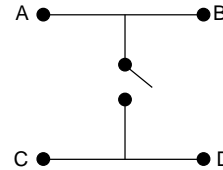
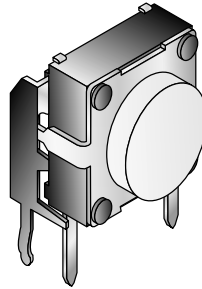
Dimensions (In.)



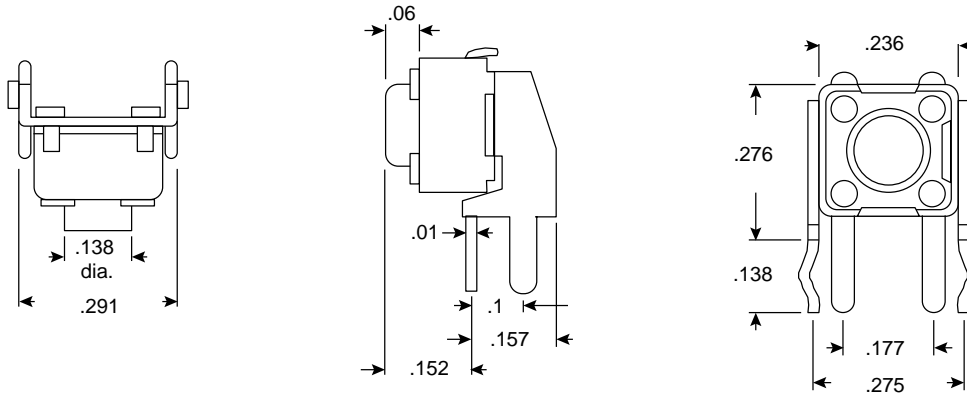
#### Specifications:

- Power rating: 24VDC, 50mA
- Insulation resistance: 100M $\Omega$  min. @ 100VDC
- Contact Bounce: 5m sec. max.
- Operating force: 100gf
- Operating life cycles: 100,000 min.
- Operating temperature range: -25°C to +70°C

Your source for quality electronics. Toll-free full service  
**(800) 346-6873**



**Dimensions (In.)**

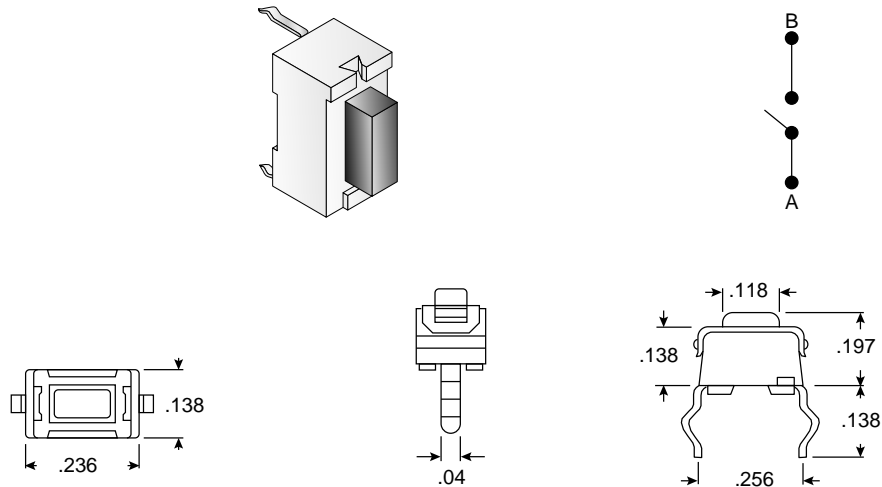


Mouser Stock No.	Power Rating (VDC)	Insulation Resistance (MΩ min.)	Contact Bounce	Operating Force (gf)	Operating Life Cycles (min.)	Operating Temp. Range (°C)
101-0013	24V, 50mA	100 @ 100VDC	5m sec. max.	100	100,000	-25 to +70

Your source for quality electronics. Toll-free full service  
**(800) 346-6873**



## Dimensions (In.)

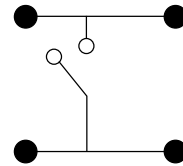
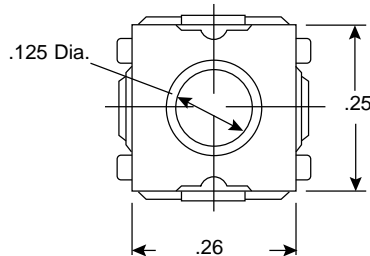
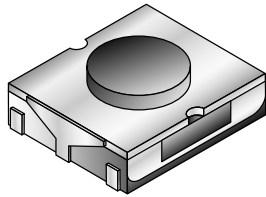


### Specifications:

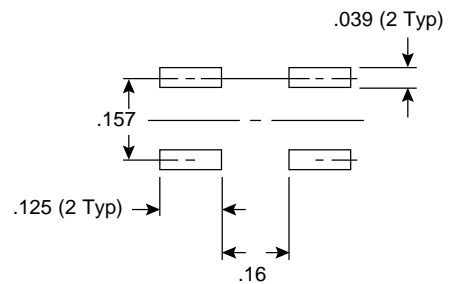
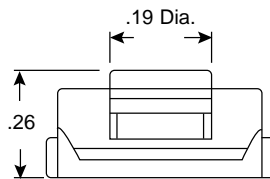
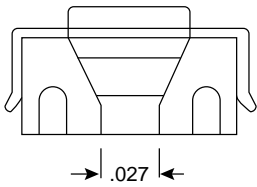
- Power rating: 16VDC, 20mA
- Insulation resistance: 100M $\Omega$  min. @ 100VDC
- Contact bounce: 5m sec. max.
- Operating force: 180gf
- Operating life cycles: 50,000 min.
- Operating temperature range: -20°C to +70°C

Your source for quality electronics. Toll-free full service

# (800) 346-6873

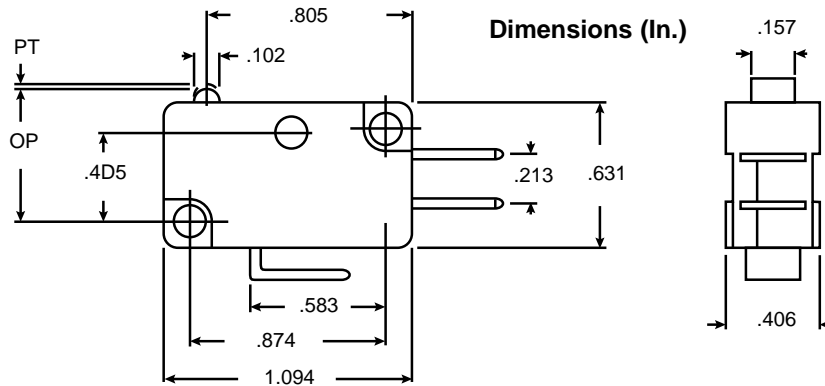
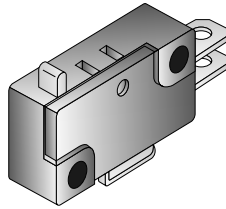


**Dimensions (In.)**



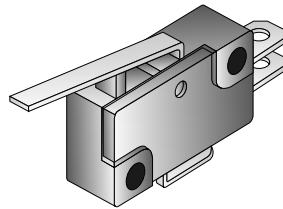
Mouser Stock No.	Power Rating (VDC)	Insulation Resistance (MΩ min.)	Contact Bounce	Operating Force (gf)	Operating Life Cycles (min.)	Operating Temp. Range (°C)
101-0015/Reel 101-0015	15V, 20mA	50 @ 100VDC	3m Sec. Max. (On) 10m Sec. Max. (Off)	130 ± 40	100,000	-20 to +70

Your source for quality electronics. Toll-free full service  
**(800) 346-6873**

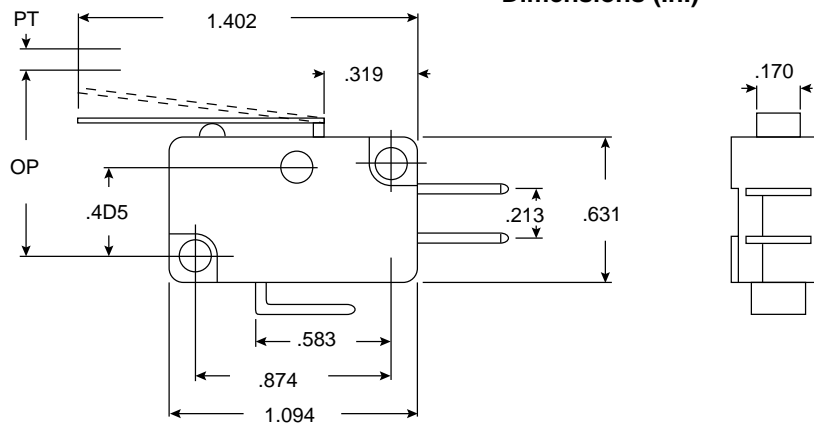


(OP) Operating Position	(PT) Pretravel (max.)	Rating		Operating Force	Type
		@ 125 VAC	@ 250VAC		
.580x.020	.050	10A	6A	170	SPDT

Your source for quality electronics. Toll-free full service  
**(800) 346-6873**

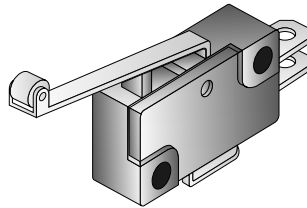


Dimensions (In.)

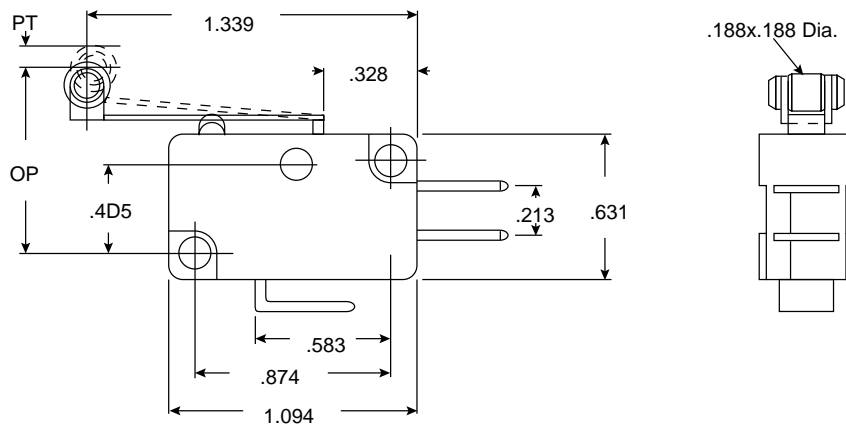


(OP) Operating Position	(PT) Pretravel (max.)	Rating		Operating Force	Type
		@ 125 VAC	@ 250VAC		
.600±.050	.120	10A	6A	170	SPDT

Your source for quality electronics. Toll-free full service  
**(800) 346-6873**

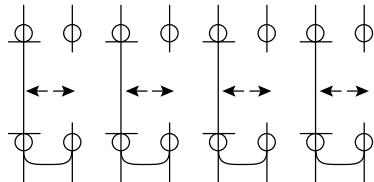
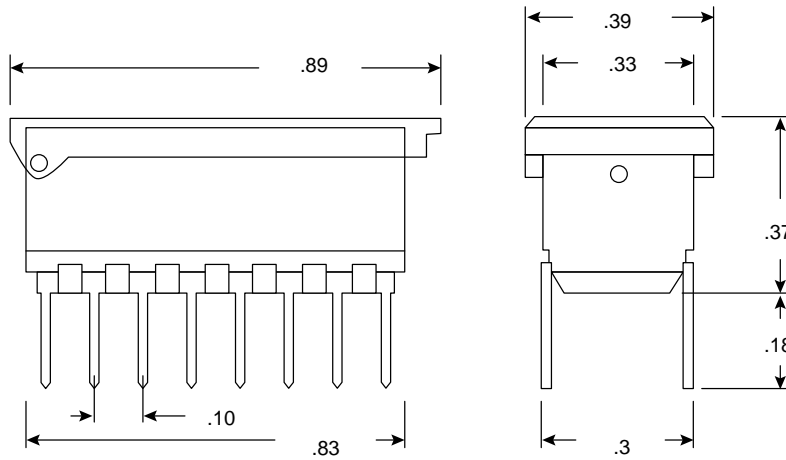
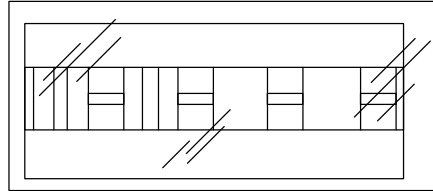


**Dimensions (In.)**



(OP) Operating Position	(PT) Pretravel (max.)	Rating		Operating Force	Type
		@ 125 VAC	@ 250VAC		
.811±.050	.120	10A	6A	140	SPDT

Your source for quality electronics. Toll-free full service  
**(800) 346-6873**



4 Poles  
2 positions

**Dimensions (In.)**

**Specifications:**

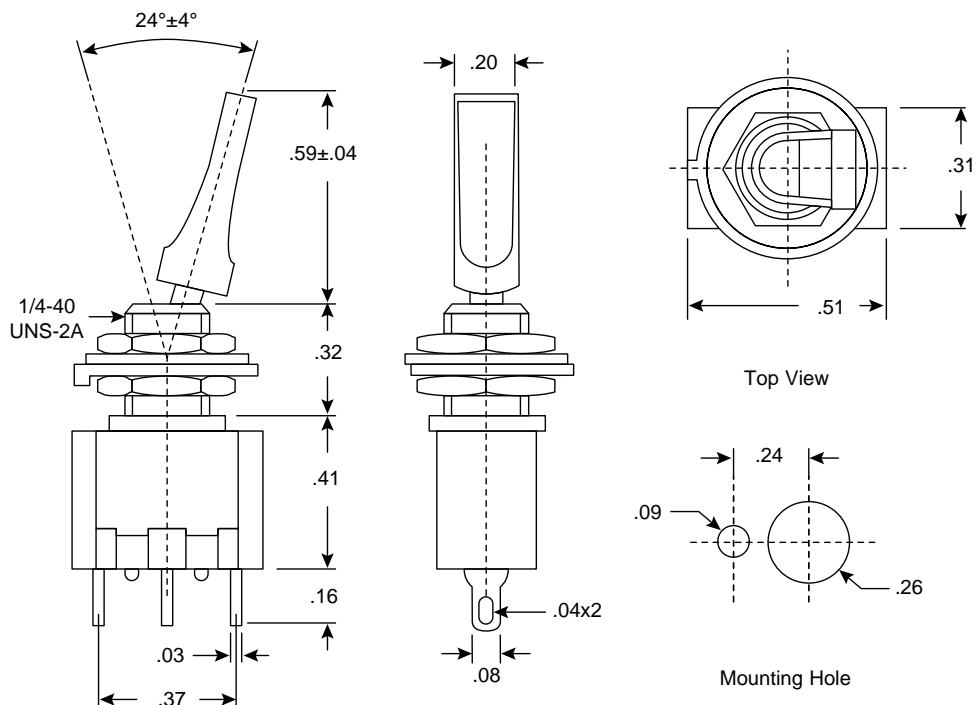
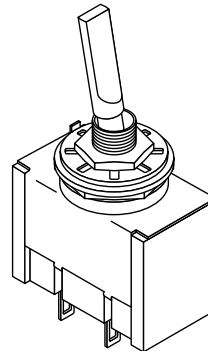
- Contact rating: 30V, 250mA 7.5VA max.  
240VAC, 2A
- Initial contact resistance: typical 18mΩ max. 30mΩ
- Life: 1,000 cycles
- Temperature range: -55°C to -85°C

Your source for quality electronics. Toll-free full services

**(800)346-6873**

<http://www.mouser.com>

## Mountain Switch



Dimensions (In.)

### Specifications:

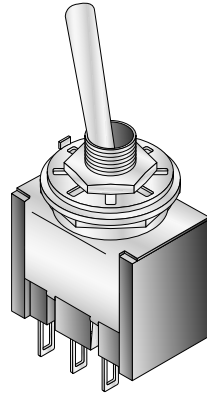
- Resistance load: 6A/125VAC, 3A/250VAC, 6A/30VDC
- Inductive load: 6A/125VAC, 3A/250VAC (power factor 0.8)
- Mechanical life: over 30,000 operations
- Switching frequency: 20 operations/minute
- Electrical life: over 10,000 operations
- Installation resistance: over 100MΩ @ 500VDC
- Voltage breakdown: 1000VAC for 1 minute
- Contact resistance: 20mΩ maximum
- Ambient temperature: -10°C ~ +55°C
- Ambient humidity: 85% RH maximum



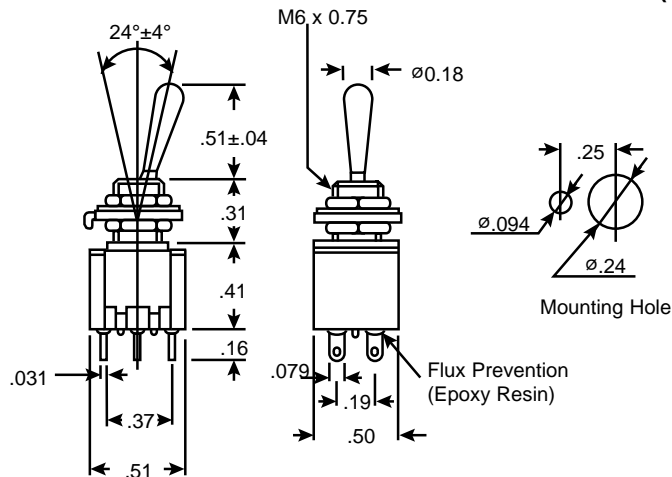
Your source for quality electronics. Toll-free full services

## (800)346-6873

<http://www.mouser.com>



Dimensions (In.)

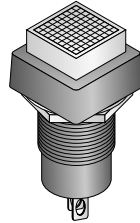


**Electrical Specification:**

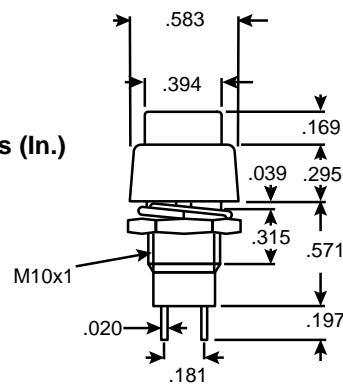
- 10TC360: Circuit - DPDT  
Terminal - 6P  
Switching Function - On-On
- 10TC365: Circuit - DPDT  
Terminal - 6P  
Switching Function - On-Off-On
- Rating: 10TC360 - 10A .125VAC,  
10TC365 - 6A 125VAC
- Contact resistance: 20m $\Omega$  (max.)
- Insulation resistance: 500VDC 100M $\Omega$  (max.)
- Voltage breakdown: 1000VAC 1 minute

Your source for quality electronics. Toll-free full service  
**(800) 346-6873**





Dimensions (In.)

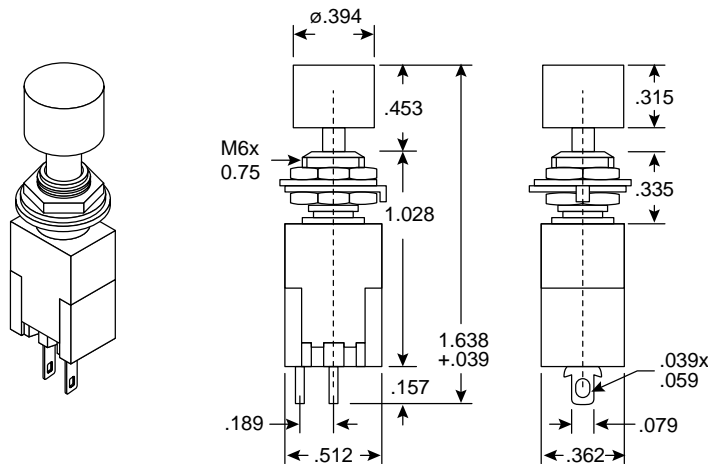


**Electrical Specifications:**

- Mechanical life: 100,000 operations
- Electrical life: 50,000 operations
- Rating: 3A/125VAC, 1A/250VAC
- Mounting hole: .40"
- Button color: notched metal
- SPST

Mouser Stock No.	Circuit ( ) Momentary Contact	Frame Color
10PA338	Off-(On)	Black
10PP438	On-Off	Black
10PA339	Off-(On)	Metal
10PP439	On-Off	Metal

Your source for quality electronics. Toll-free full service  
**(800) 346-6873**



Dimensions (In.)

**Specifications:**

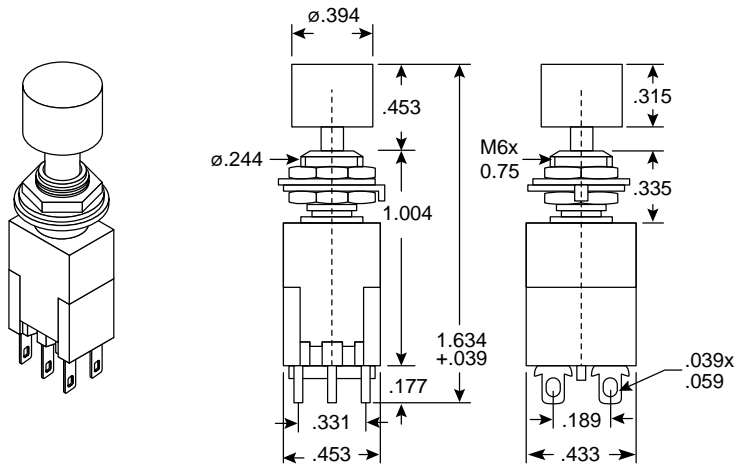
- Rating: 3A/125VAC
- Contact resistance: 20mΩ (max.)
- Insulation resistance: 500VDC 100mΩ (min.)
- Voltage breakdown: 1000VAC for 1 minute
- Mounting hole:  $\varnothing$ .250

Mouser Stock No.	Circuit	Terminal	Switching Function	Color
10PP221	SPST	2P	On-off (alternate)	Red
10PP222	SPST	2P	On-off (alternate)	Black
10PP321	SPDT	3P	On-on (alternate)	Red
10PP322	SPDT	3P	On-on (alternate)	Black

Your source for quality electronics. Toll-free full services

**(800)346-6873**

<http://www.mouser.com>



Dimensions (In.)

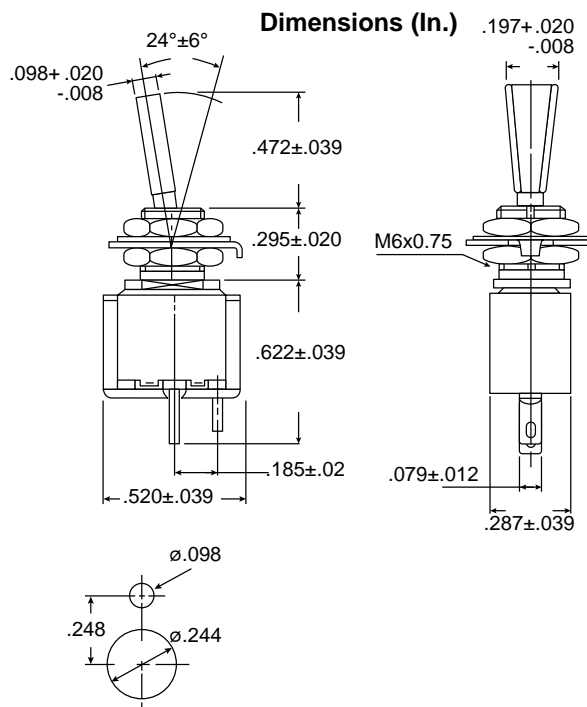
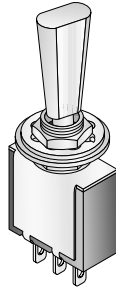
**Specifications:**

- Circuit: DPDT
- Switching function: On-On (alternate)
- Rating: 3A/125VAC
- Contact resistance: 20m $\Omega$  (max.)
- Insulation resistance: 500VDC 100m $\Omega$  (min.)
- Voltage breakdown: 1000VAC for 1 minute
- Color: 10PP241=black, 10PP242=red

Your source for quality electronics. Toll-free full services

**(800)346-6873**

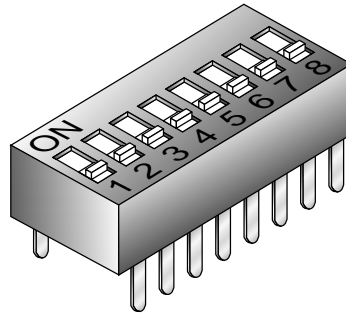
<http://www.mouser.com>



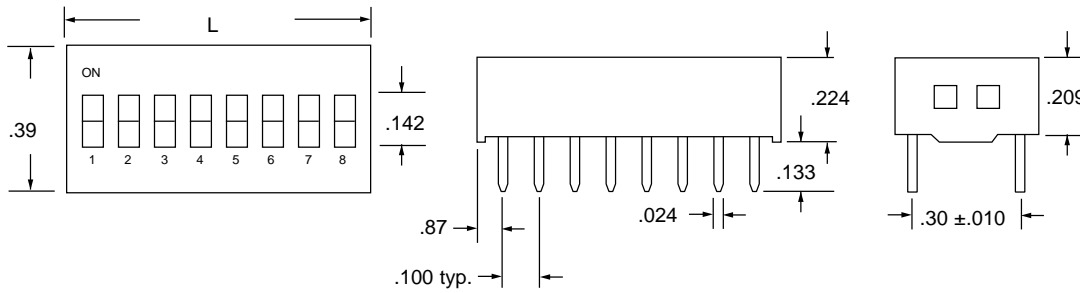
**Specifications:**

- Rating: 6A @ 125VAC, 3A @ 250VAC
- Contact resistance: 20m $\Omega$  max
- Insulation resistance: 500VDC 100M $\Omega$  min
- Dielectric strength: 1000VAC for 1 minute
- Electrical life: 10,000 cycles
- Machine life: 100,000 cycles
- Operating temperature: -20°C ~ +65°C
- Terminal option: solder terminal
- Circuit: 2P SPST on-off

Your source for quality electronics. Toll-free full service  
**(800) 346-6873**



Dimensions (In.)

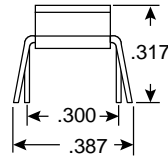
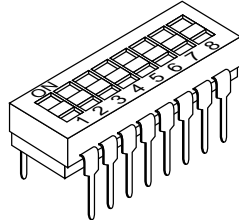


**Specifications:**

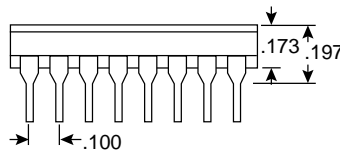
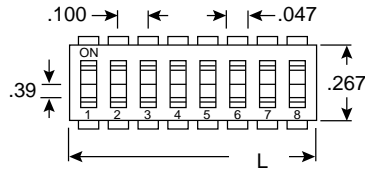
- Mechanical life: 10,000 operation min. per switch
- Electrical life: 5,000 operation min. per switch 50mA, 24VDC
- Operation force: less than 800g
- Non-switching: 100mA, 50VDC
- Switching: 50mA, 24VDC
- Circuit: single pole single throw

Mouser Stock No.	POS Type	Length (In.)
106-1214	4	.439
106-1218	8	.839

Your source for quality electronics. Toll-free full service  
**(800) 346-6873**



Dimensions (In.)



Mouser Stock No.	Positions	L (In.)
106-1222	2	.198
106-1224	4	.398
106-1226	6	.598
106-1228	8	.881

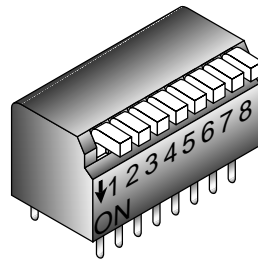
**Specifications:**

- Type: machine insertable, ultra-low
- Circuit: single pole single throw
- Mechanical life: 5,000 operation min. per switch
- Electrical life: 2,000 operation min. per switch-24VDC
- Operation force: < 800g
- Stroke: 1.0mm
- Non-switching rating: 100mA, 50VDC
- Switching rating: 50mA, 24VDC
- Contact resistance: 30mΩ max. initial  
100mΩ max. @ end of life
- Insulation resistance: 100M min. @ end of life
- Dielectric strength: 500VDC for 1 minute
- Capacitance: 5pF max. between adjacent closed switch.
- Frequency: 1MHz
- Operation method: slide
- Operation & storage temperature: -40°C~ +85°C

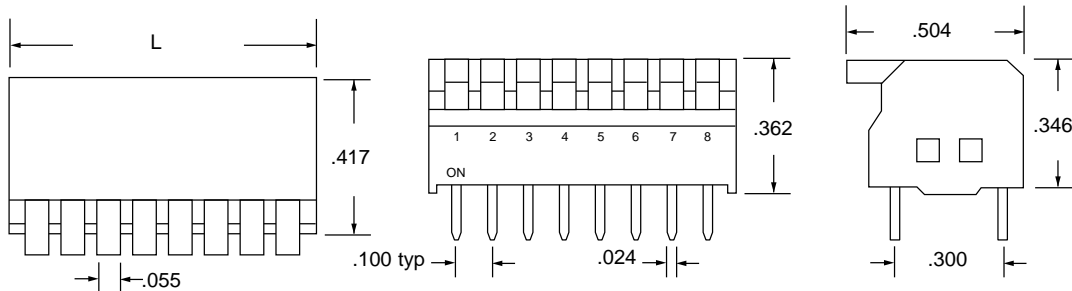
Your source for quality electronics. Toll-free full service.

**(800) 346-6873**

<http://www.mouser.com>



### Dimensions (In.)

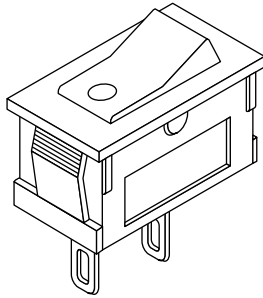


### Specifications:

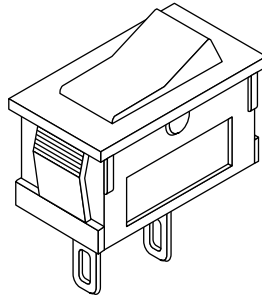
- Mechanical life: 5,000 operation min. per switch
- Electrical life: 2,000 operation min. per switch 50mA, 24VDC
- Operation force: 400g ±200g
- Non-switching: 100mA, 50VDC
- Switching: 50mA, 24VDC
- Circuit: single pole single throw

Mouser Stock No.	Position	Length (In.)
106-1234	4	.446
106-1238	8	.846

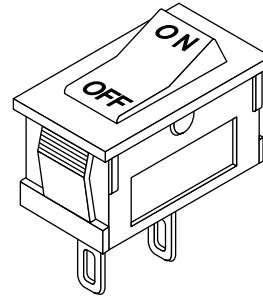
Your source for quality electronics. Toll-free full service  
**(800) 346-6873**



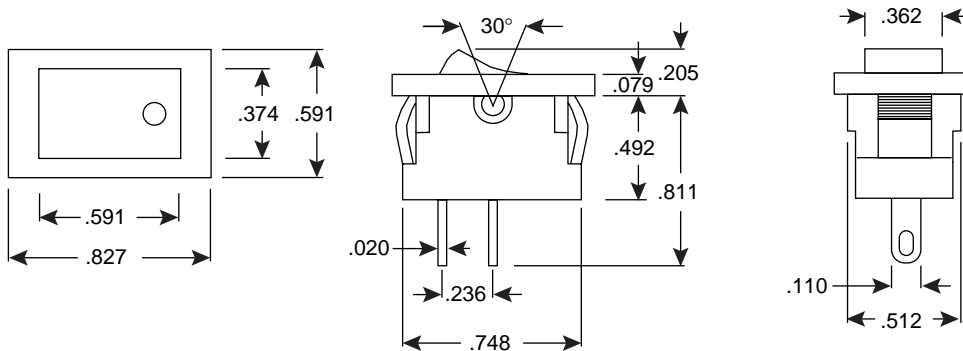
107-DS850K-01



107-DS850K-00



107-DS850K-02

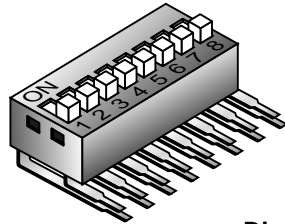


**Dimensions (In.)**

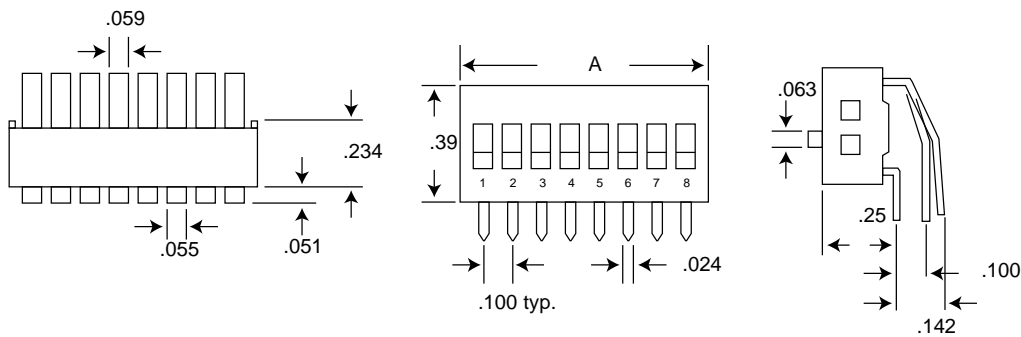
**Specifications:**

- Circuit: SPST (2P)
- Switching function: on-off
- Rating: 5A 125VAC, 3A 250VAC
- Insulation resistance: 500VDC @ 100MΩ (min.)
- Voltage breakdown: 1500VAC for 1 minute
- Contact resistance: 2.5VDC 1A @ 20mΩ (Max.)





Dimensions (In.)



**Specifications:**

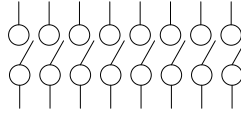
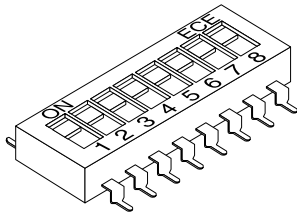
- Mechanical life: 10,000 operation min. per switch
- Electrical life: 5,000 operation min. per switch
- Operation force: less than 800g
- Non-switching rating: 100mA, 50VDC
- Switching: 50mA, 24VDC
- Circuit: single pole, single throw

**Recommended Soldering and Cleaning Processes:**

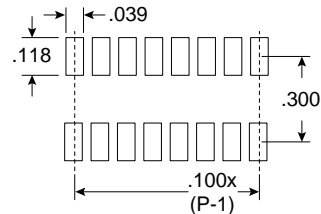
- Keep all switch contacts in their "OFF" position for all operations
- Wave soldering: recommended solder temperature at 500°F (260°C) max. 5 seconds
- Hand soldering: use a soldering iron of 30 watts or less, controlled at 608°F (320°C) approximately 2 seconds while applying solder
- Cleaning process: flux clean using force rinse, high agitation or triple bath cleaning method  
Freon TF or TE give excellent results. When vapor methods are used, do not subject the switch to solvents at temperatures above 125°F (51°C).

Mouser Stock No.	No. of Positions	Dimension "A" (In.)	Circuit
106-1254	4	.439	SPST
106-1258	8	.839	SPST

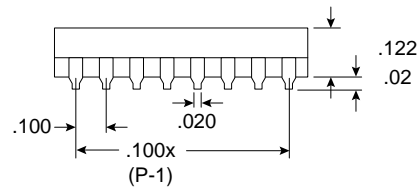
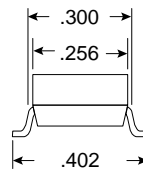
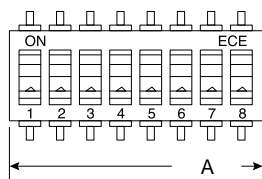
Your source for quality electronics. Toll-free full service  
**(800) 346-6873**



Circuit Diagram



PCB Pattern



Dimensions (In.)

Mouser Stock No.	No. of Positions	Dimension "A" (In.)
106-1242	2	.198
106-1244	4	.398
106-1246	6	.598
106-1248	8	.798

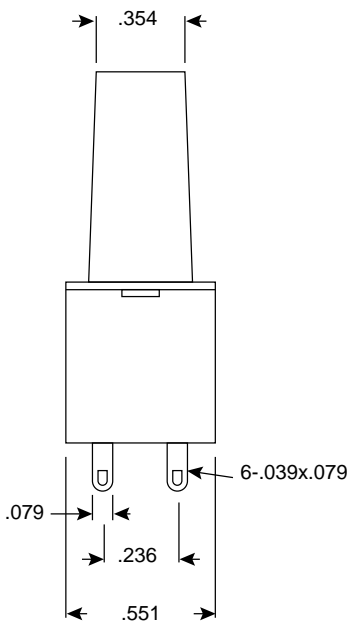
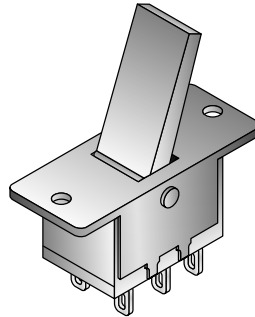
### Specifications:

- Circuit: SPST
- Operating temperature: -25°C to +70°C
- Storage temperature: -40°C to +85°C
- Operation force: 800g max.
- Humidity: 95% RH, 40°C for 96 hours
- Vibration: per MIL-STD-202, METHOD 204B
- Solderability: after flux 230 ± 5°C for 5 ± 0.5 second 95% coverage
- Heat shock: 260 ± 5°C for 10 ± 1 second, 280 ± 5°C for 2 ± 0.5 second (resistance to IR reflow soldering heat)
- Operation life: 2,000 operations
- Contact rating: 25mA, 24VDC (switching)  
100mA, 50VDC (non-switching)
- Contact resistance: 50mΩ max. (initial)  
100mΩ max. (after life test)
- Insulation resistance: 1,000MΩ min. @ 100VDC
- Dielectric strength: 500VDC min. for 1 minute
- Capacitance between adjacent switches: 5PF max.
- Materials: UL 94V-0 grade fire retardant plastics
- Contacts: gold plated
- Terminal: tin plated

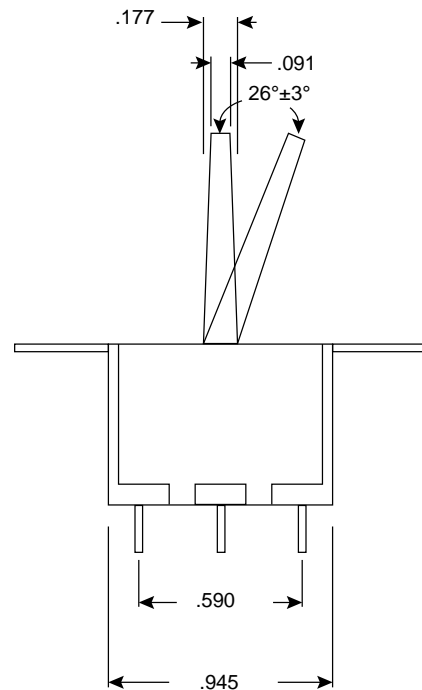
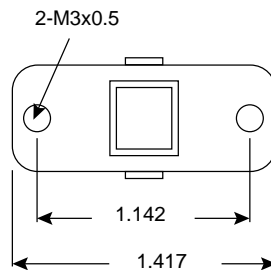
Your source for quality electronics. Toll-free full services

**(800)346-6873**

<http://www.mouser.com>



Dimensions (mm)

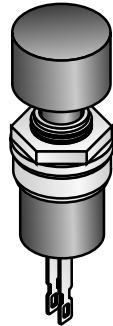


**Specifications:**

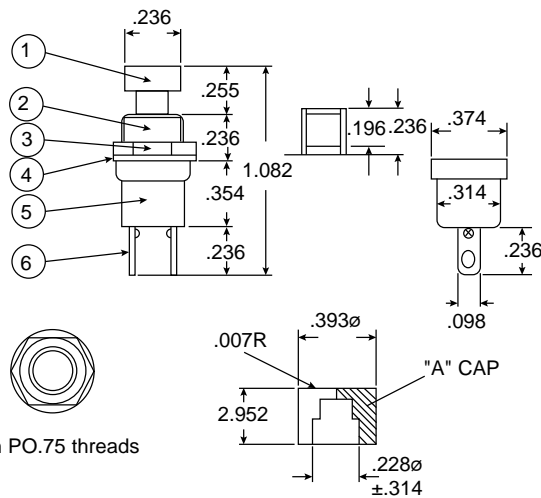
- Rating: 0.3A @ 125VAC
- Contact resistance: 10mΩ
- Insulation resistance: 100MΩ
- Voltage breakdown: 1000VAC for 1 minute

Your source for quality electronics. Toll-free full service

**(800) 346-6873**



Dimensions (In.)



\* .354" thick  
\* .275" ID with PO.75 threads

**Specifications:**

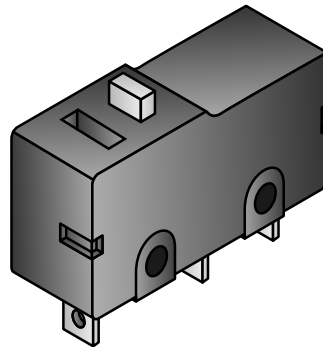
- Rated power: 125VAC 1A
- Contact resistance: less than 10MΩ at DC1A
- Insulation resistance: minimum 200MΩ at 500VDC
- Withstand voltage: 1 minute at 500VDC
- Push torque: 180Gs
- Life cycle: more than 30,000 cycles (60/minute)
- Life time: more than 10,000 hours
- Circuit: normally closed circuit (push on)

**Materials:**

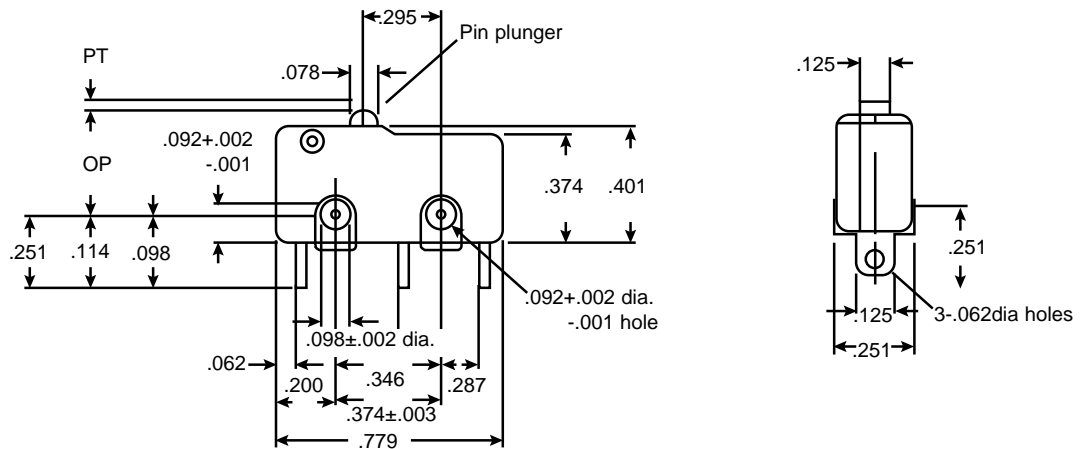
1. Knob: ABS plastics
2. Metal: nickel plated brass
3. Nut: nickel plated brass
4. Washer: copper wire, uni-chromate plated
5. Body: molded black plastics
6. Terminals: silver plated brass

Mouser Stock No.	Circuit	Color
10PA022	Off - (On)	Red
10PA023	Off - (On)	Black

Your source for quality electronics. Toll-free full service  
**(800) 346-6873**



Dimensions (In.)



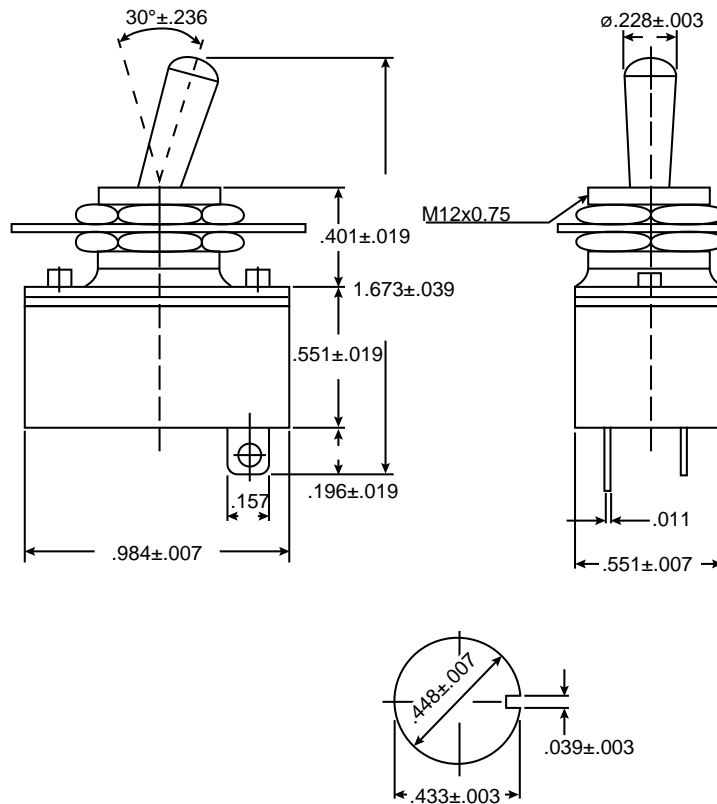
(A tolerance of ±.015 applies to all dimensions, unless otherwise specified.)

OF max.	150g
RF min.	25g
PT max.	.019
OT min.	.019
MD max.	.003
OP	.330±.019

Mouser Stock No.	Amp Rating		Oper. Force (GMS.)	PRE Travel (In.)
	@ 125 VAC	@ 250 VAC		
101-1012	5A	3A	150	.02

Your source for quality electronics. Toll-free full service  
**(800) 346-6873**

Dimensions (In.)

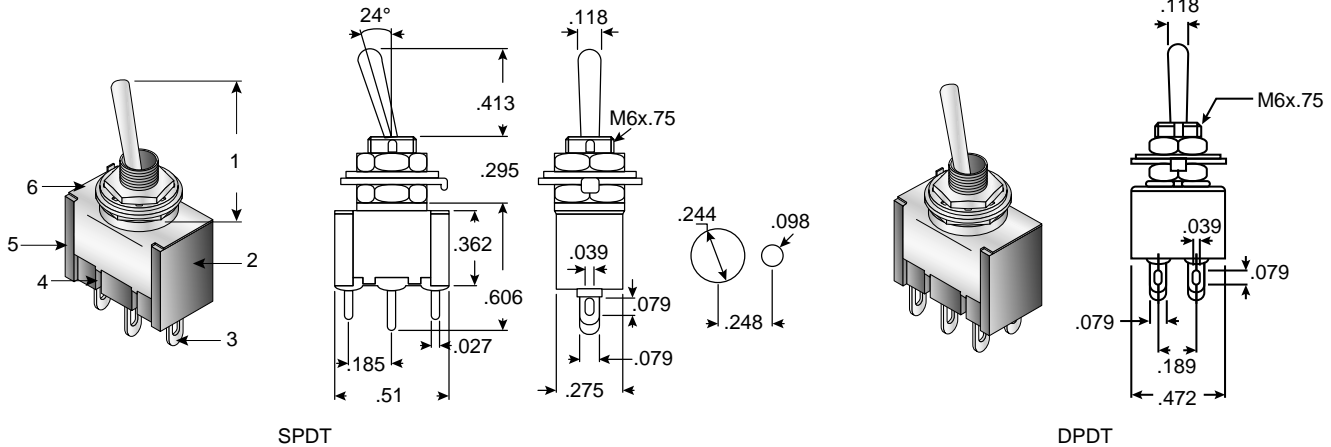


**Specifications:**

- Circuit: 2P SPST on-off
- Rating: 3A 125V, 1.5A 250VAC
- Contact resistance: 50m $\Omega$  max
- Insulation resistance: 500VDC 100m $\Omega$  min
- Dielectric strength: 1000VAC 1 minute

Your source for quality electronics. Toll-free full service  
**(800) 346-6873**

### Dimensions (In.)



SPDT

DPDT

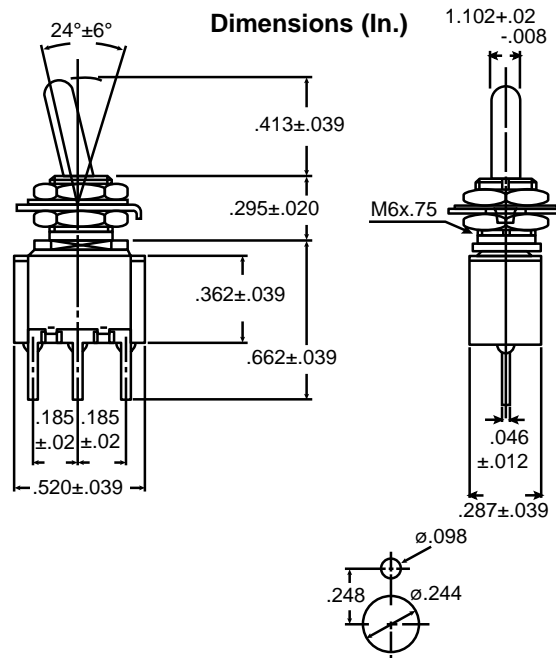
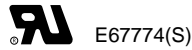
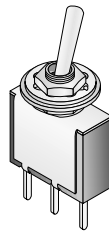
1. Actuator: toggle
2. Case: Alkyd. anti-flame and high insulation
3. Contacts: copper alloy with silver inlay and silver plated
4. Terminals: silver plated copper alloy
5. Epoxy sealed: anti-dust, anti-moisture
6. Stainless steel cover

### Specifications:

- Contact resistance: 20mΩ max.
- Insulation resistance: 100MΩ min. 500VDC
- Dielectric strength: 1000VAC 1 minute
- Operating temperature: -20°C to +65°C
- Electrical life: 50,000 make-and-break cycles @ full load

Mouser Stock No.	Type	Circuit
1055-TA1120	SPST	On-Off
1055-TA1130	SPDT	On-On
1055-TA1135	SPDT	On-Off-On
1055-TA1165	DPDT	On-Off-On
1055-TA1160	DPDT	On-On
1055-TA1170	DPDT	On-Off-(On)
1055-TA1175	DPDT	(On)-Off-(On)
1055-TA1132	SPDT	On-(On)
1055-TA1140	SPDT	On-Off-(On)
1055-TA1145	SPDT	(On)-Off-(On)
1055-TA1162	DPDT	On-(On)

Your source for quality electronics. Toll-free full service  
**(800) 346-6873**

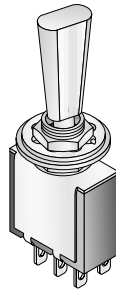


**Specifications:**

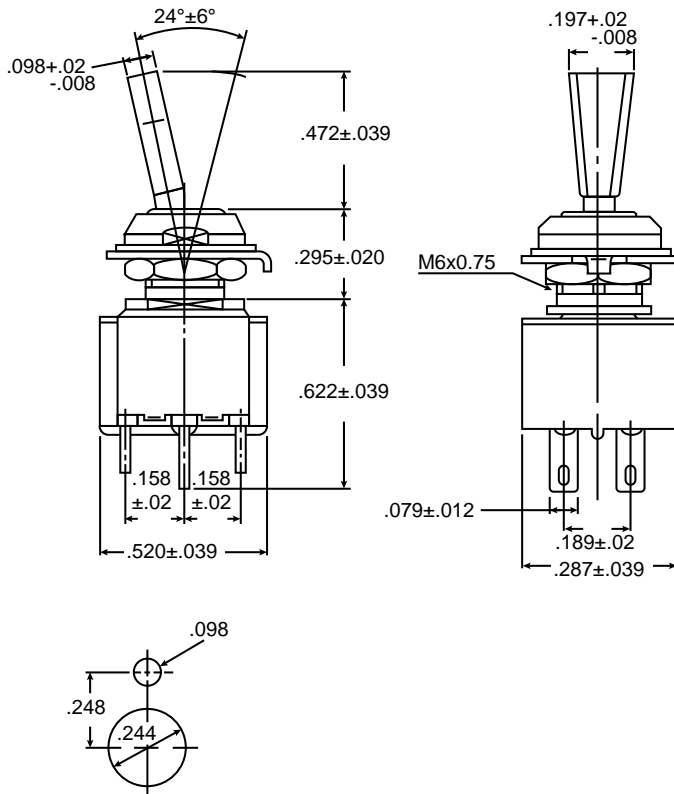
- Rating: 6A @ 125VAC, 3A @ 250VAC
- Contact resistance: 20mΩ max
- Insulation resistance: 500VDC 100MΩ min
- Dielectric strength: 1000VAC for 1 minute
- Electrical life: 10,000 cycles
- Machine life: 100,000 cycles
- Operating temperature: -20°C ~ 65°C
- Terminal option: solder terminal
- Circuit: 3P SPDT on-on

Your source for quality electronics. Toll-free full service  
**(800) 346-6873**





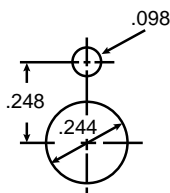
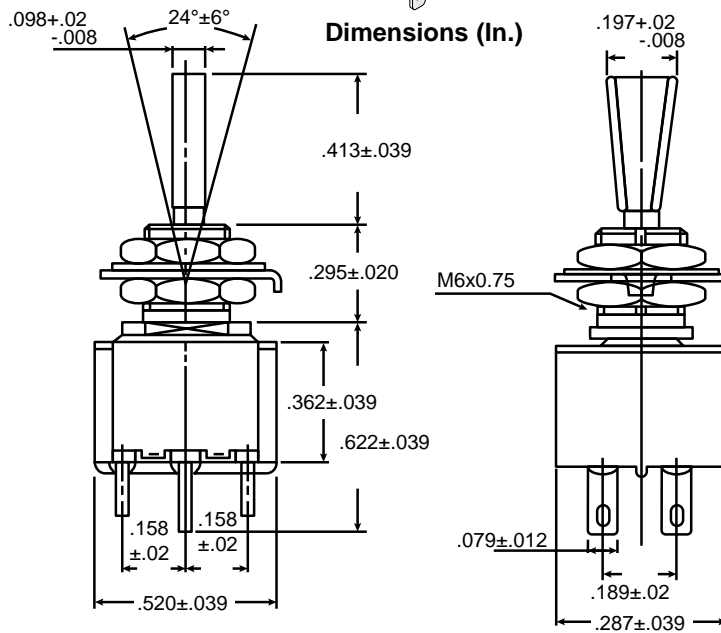
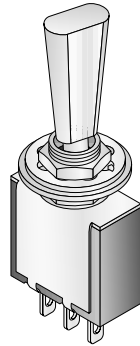
 E67774(S)



**Specifications:**

- Rating: 6A @ 125VAC, 3A @ 250VAC
- Contact resistance: 20mΩ max
- Insulation resistance: 500VDC 100MΩ min
- Dielectric strength: 1000VAC for 1 minute
- Electrical life: 10,000 cycles
- Machine life: 100,000 cycles
- Operating temperature: -20°C ~ +65°C
- Terminal option: solder terminal
- Circuit: 6P DPDT on-on

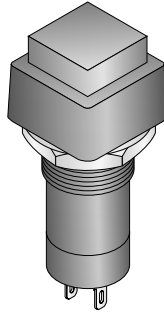
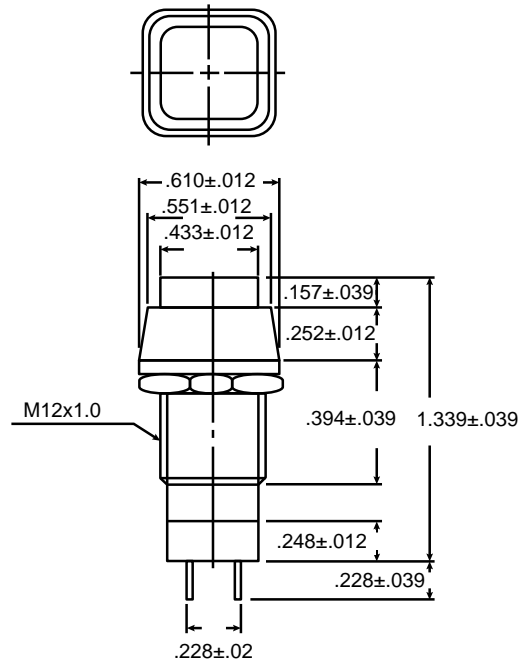
Your source for quality electronics. Toll-free full service  
**(800) 346-6873**



**Specifications:**

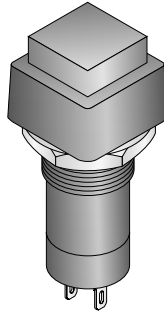
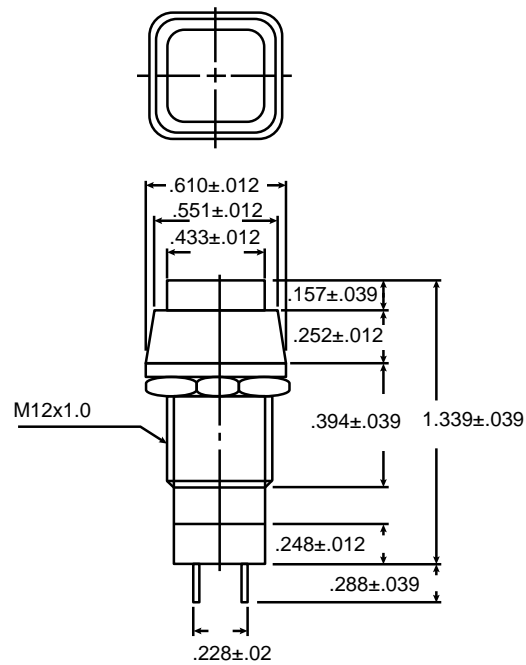
- Rating: 6A @ 125VAC, 3A @ 250VAC
- Contact resistance: 20mΩ max
- Insulation resistance: 500VDC 100MΩ min
- Dielectric strength: 1000VAC for 1 minute
- Electrical life: 10,000 cycles
- Machine life: 100,000 cycles
- Operating temperature: -20°C ~ +65°C
- Terminal option: solder terminal
- Circuit: 6P DPDT (on)-off-(on)

Your source for quality electronics. Toll-free full service  
**(800) 346-6873**

**Dimensions (In.)****Specifications:**

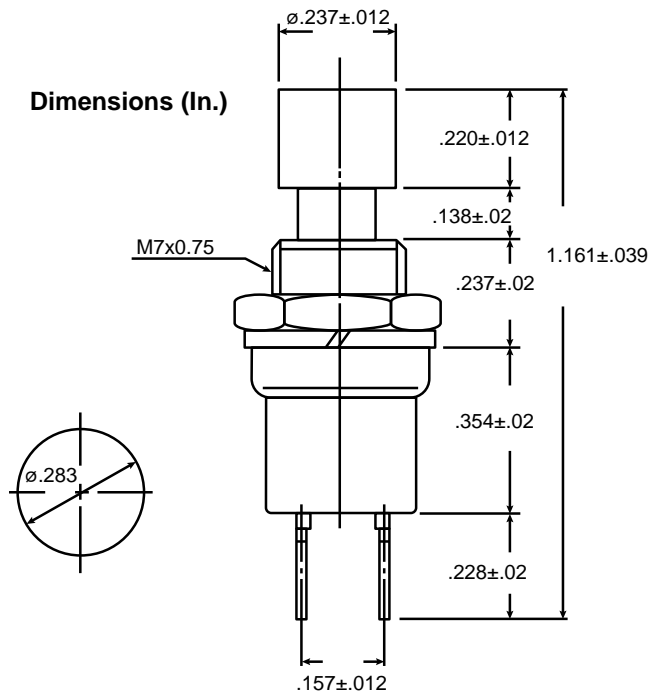
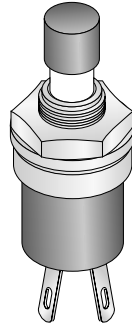
- Circuit: 2P SPST off-(on)
- Rating: 3A @ 125VAC
- Contact resistance: 50mΩ max
- Insulation resistance: 500VDC 100MΩ min
- Dielectric strength: 1000VAC for 1 minute

Your source for quality electronics. Toll-free full service  
**(800) 346-6873**

**Dimensions (In.)****Specifications:**

- Circuit: 2P SPST on-off
- Rating: 3A @ 125VAC
- Contact resistance: 50mΩ max
- Insulation resistance: 500VDC 100MΩ min
- Dielectric strength: 1000VAC for 1 minute

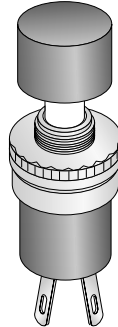
Your source for quality electronics. Toll-free full service  
**(800) 346-6873**



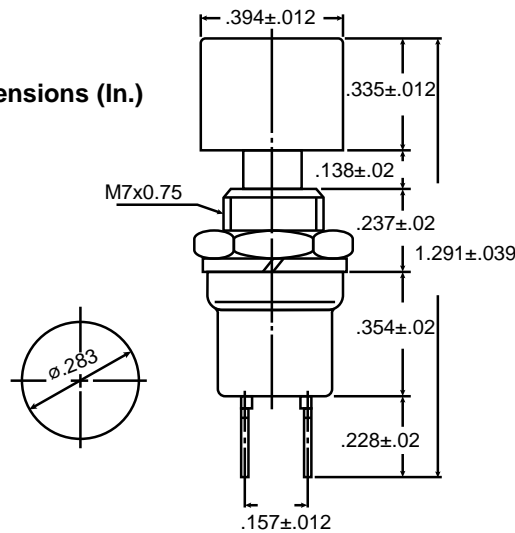
**Specifications:**

- Circuit: 2P SPST off-(on)
- Rating: 3A @ 125VAC
- Contact resistance: 50m $\Omega$  max
- Insulation resistance: 500VDC 100M $\Omega$  min
- Dielectric strength: 1000VAC for 1 minute

Your source for quality electronics. Toll-free full service  
**(800) 346-6873**



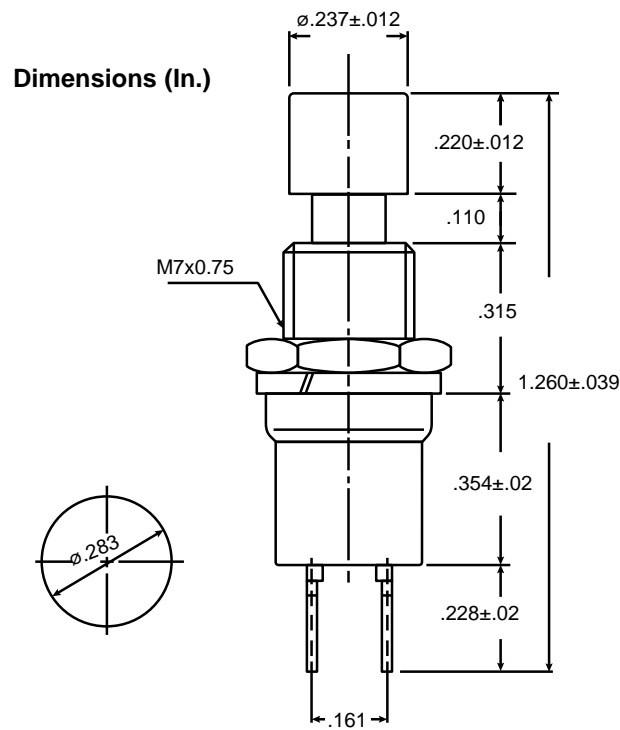
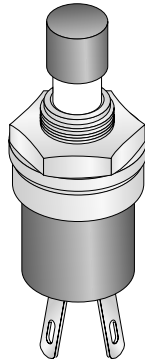
### Dimensions (In.)



### Specifications:

- Circuit: 2P SPST off-(on)
- Rating: 3A @ 125VAC
- Contact resistance: 50m $\Omega$  max
- Insulation resistance: 500VDC 100M $\Omega$  min
- Dielectric strength: 1000VAC for 1 minute

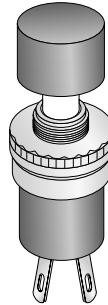
Your source for quality electronics. Toll-free full service  
**(800) 346-6873**



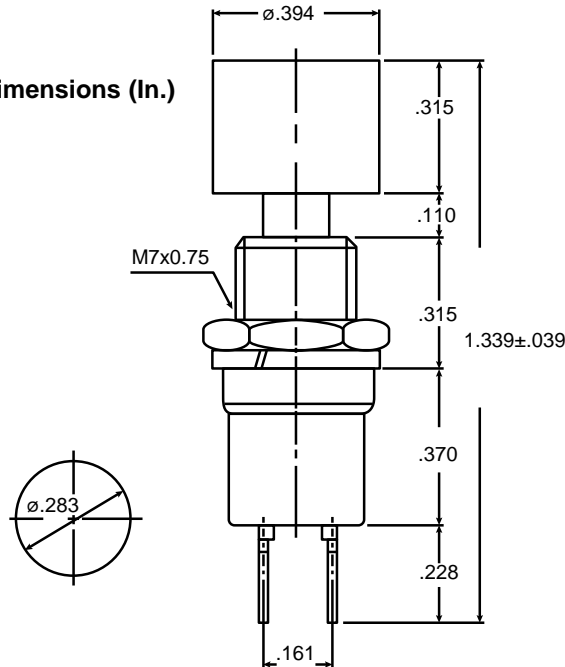
**Specifications:**

- Rating: 3A @ 125VAC, 1.5A 250VAC
- Contact resistance: 50m $\Omega$  max
- Insulation resistance: 500VDC 100M $\Omega$  min
- Dielectric strength: 1000VAC for 1 minute
- Circuit: 2P SPST on-(off)

Your source for quality electronics. Toll-free full service  
**(800) 346-6873**



Dimensions (In.)

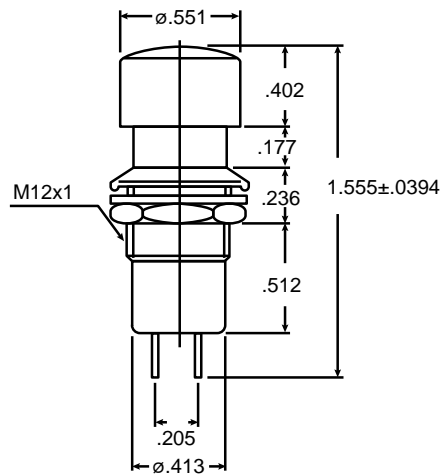
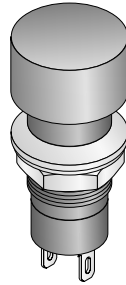


**Specifications:**

- Circuit: 2P SPST on-(off)
- Rating: 3A @ 125VAC
- Contact resistance: 50mΩ max
- Insulation resistance: 500VDC 100MΩ min
- Dielectric strength: 1000VAC for 1 minute

Your source for quality electronics. Toll-free full service  
**(800) 346-6873**

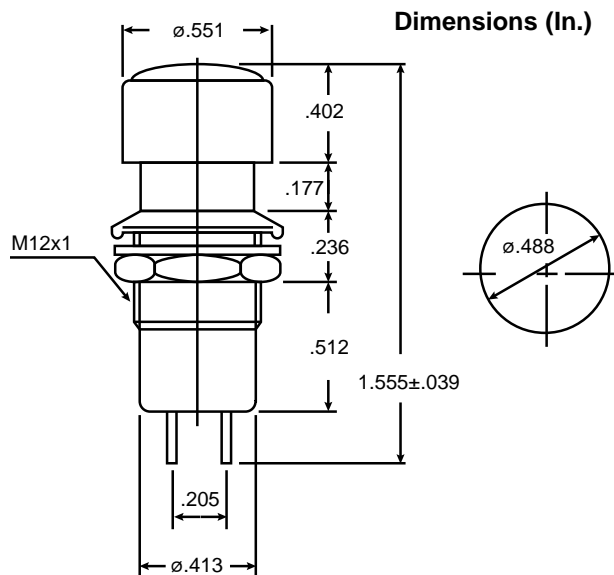
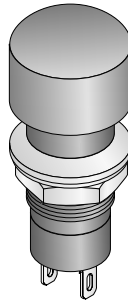


**Specifications:**

- Circuit: 2P SPST off-(on)
- Rating: 3A @ 125VAC
- Contact resistance: 50m $\Omega$  max
- Insulation resistance: 500VDC 100M $\Omega$  min
- Dielectric strength: 1000VAC for 1 minute

Your source for quality electronics. Toll-free full service

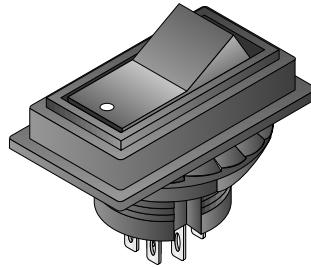
**(800) 346-6873**

**Specifications:**

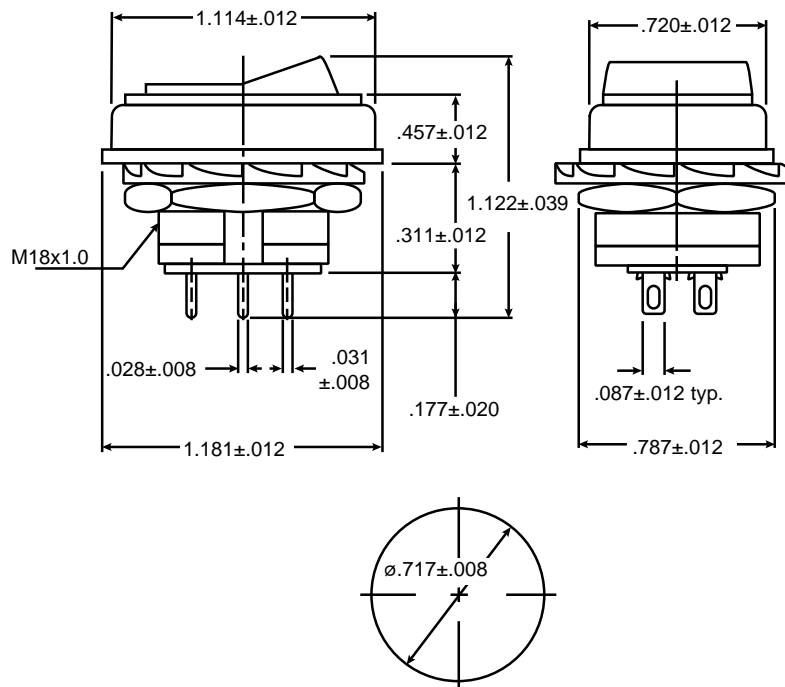
- Circuit: 2P SPST on-off
- Rating: 6A @ 125VAC, 3A @ 250VAC
- Contact resistance: 50m $\Omega$  max
- Insulation resistance: 500VDC 100M $\Omega$  min
- Dielectric strength: 1000VAC for 1 minute
- Red

Your source for quality electronics. Toll-free full service

**(800) 346-6873**

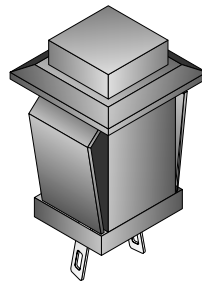


Dimensions (In.)

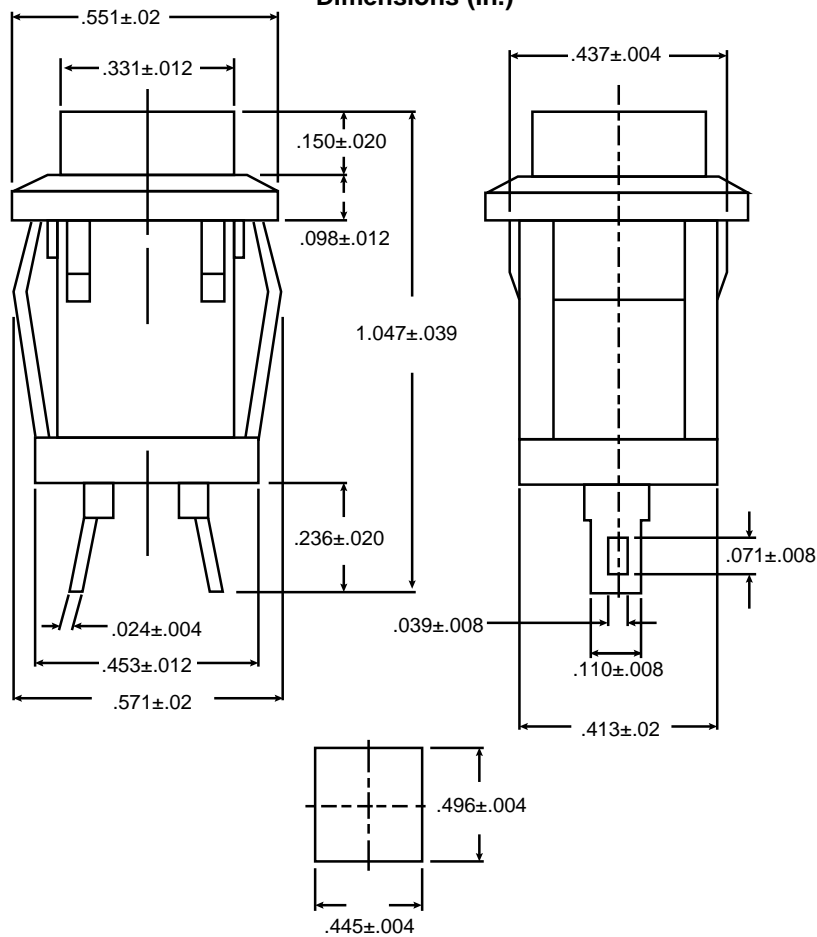
**Specifications:**

- Circuit: 6P DPDT on-on
- Rating: 6A @ 125VAC, 3A @ 250VAC
- Contact resistance: 50m $\Omega$  max
- Insulation resistance: 500VDC 100M $\Omega$  min
- Dielectric strength: 1500VAC for 1 minute
- Terminal option: solder terminal

Your source for quality electronics. Toll-free full service  
**(800) 346-6873**



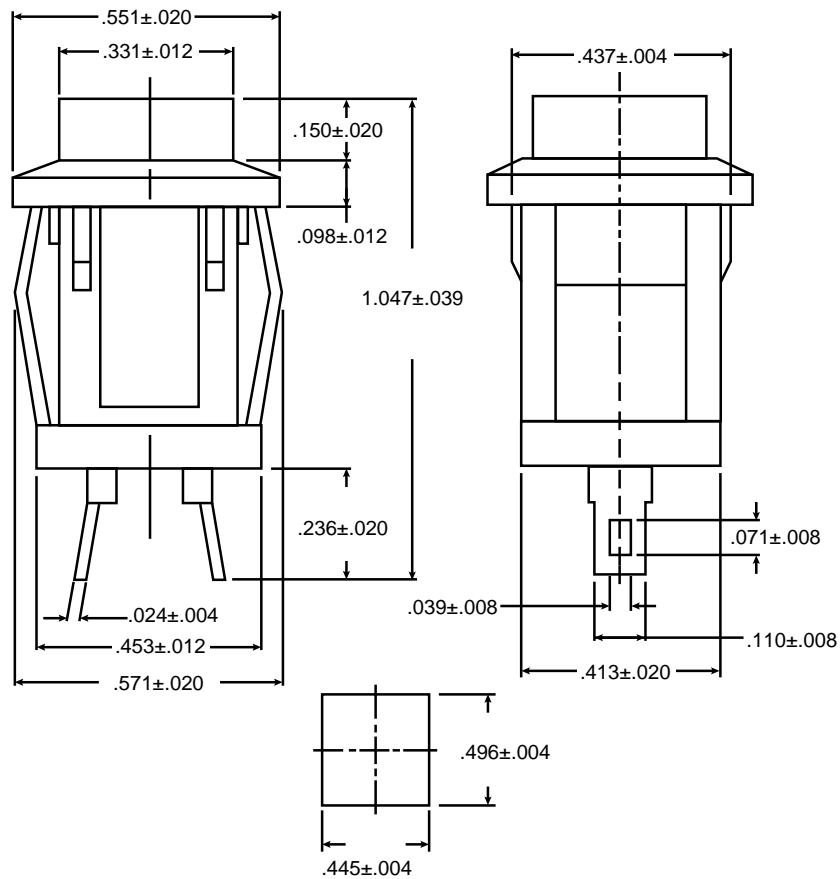
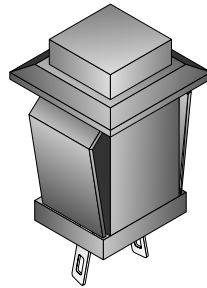
**Dimensions (In.)**



**Specifications:**

- Circuit: 2P SPST off-(on)
- Rating: 1A @ 125VAC, .5A @ 250VAC
- Contact resistance: 20mΩ max
- Insulation resistance: 500VDC 100MΩ min
- Dielectric strength: 1000VAC for 1 minute

Your source for quality electronics. Toll-free full service  
**(800) 346-6873**

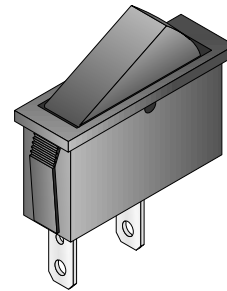
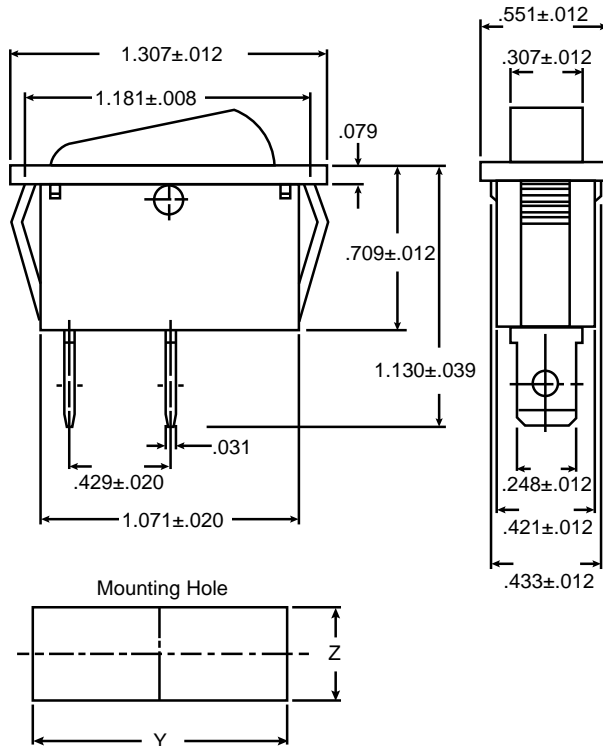


**Specifications:**

- Circuit: 2P SPST on-(off)
- Rating: 1A @ 125VAC, .5A @ 250VAC
- Contact resistance: 20mΩ max
- Insulation resistance: 500VDC 100MΩ min
- Dielectric strength: 1000VAC for 1 minute

Your source for quality electronics. Toll-free full service

**(800) 346-6873**



Panel Thickness	Y	Z
.030 to .049	1.189±.004	.441±.004
.049 to .079	1.197±.004	.441±.004
.079 to .118	1.213±.004	.441±.004

**Specifications:**

- Circuit: 2P SPST on-off
- Rating: 20A @ 12VDC, 16A 1/8HP @ 125VAC, 10A 1/3HP @ 250VAC
- Contact resistance: 50mΩ max
- Insulation resistance: 500VDC 100MΩ min.
- Dielectric strength: 1500VAC for 1 minute
- Terminal option: quick terminal

**Test Conditions:**

- Operating temperature range: -20°C to +70°C
- Storage temperature range: -20°C to +70°C
- Environmental standard: 5°C to 35°C and 40% to 85% R.H. If there are problems related to judgement, the reference condition shall be 25±2°C and 65±5% R.H.

**Ratings:**

- Rated voltage: in use of resistive load or inductive load. 10A @ 250VAC, 16A @ 125VAc, 16A @ 12VDC
- Surge current: use of capacitive load. 111A @ 250VAC 1/240 secs

**Electrical Specifications:**

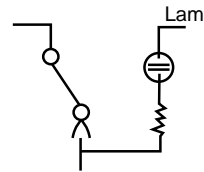
- Contact resistance: 1A @ 5VDC 50mΩ max
- Insulation resistance: 500VDC applied between terminals or terminals and chassis 100MΩ min
- Dielectric strength: voltage @ 1500VAC applied for 1 min between terminals. No broken insulation

**Mechanical Specifications:**

- Operating force: application or load to the tip of button in operation direction 600±150gf
- Terminal strength: (1) Lead wiring terminal: application of 1Kg load for 1 minute in any directions.  
(2) Fasten terminal: application of 7Kg load in pressing direction or 5Kg load in drawing out direction for 1 minute only 1 time per 1 terminal. No bent in terminals.

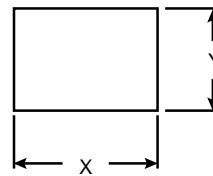
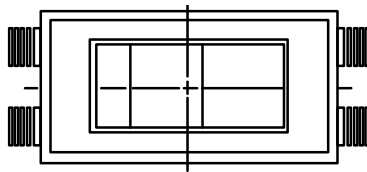
Your source for quality electronics. Toll-free full service

**(800) 346-6873**

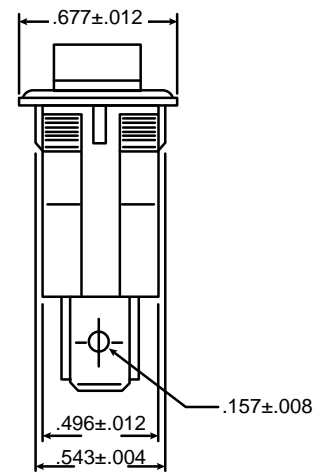
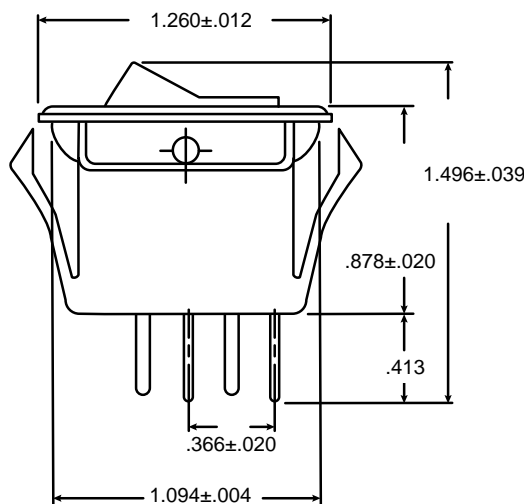


Circuit Diagram

Dimensions (In.)



Mounting Hole



Panel Thickness	Dimensions (In.)	
	X	Y
.030 to .049	1.126±.004	.551±.004
.049 to .079	1.134±.004	.551±.004
.079 to .118	1.150±.004	.551±.004

Terminal Option  
Quick Connect Terminal

Your source for quality electronics. Toll-free full service  
**(800) 346-6873**

**Specifications:**

- Circuit: 2P SPST on-off
- Rating: 15A @ 125VAC, 10A @ 250VAC
- Contact resistance: 50mΩ max
- Insulation resistance: 500VDC 100MΩ min
- Voltage breakdown: 1500VAC for 1 minute
- Terminal option: quick connect terminal

**Test Conditions:**

- Operating temperature range: -20°C to +70°C
- Storage temperature range: -20°C to +70°C
- Environmental standard: 5°C to 35°C and 40% to 85% R.H. If there are problems related to judgement, the reference condition shall be 25±2°C and 65±5% R.H.

**Ratings:**

- Rated voltage and rated current: In use of resistive load or inductive load. 10A @ 250VAC, 15A @ 125VAC
- Surge current: In use of capacitive load. 111A @ 250VAC 1/240 sec

**Electrical Specifications:**

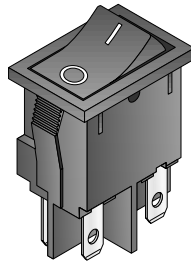
- Contact resistance: 5VDC and 1A 30mΩ max
- Insulation resistance: 500VDC applied between terminals or terminals and chassis. 500MΩ min
- Dielectric strength: Voltage @ 2500VAC applied for 1 min. between terminals. no broken insulation

**Mechanical Specifications:**

- Operating force: Application of load to the tip of button in operating direction. 600±150gf
- Terminal strength: (1) Lead wiring terminal: Application of 1Kgf load for 1 minute in any direction. No defect or damage in terminals or housing (2) Fasten terminal: application of 7Kgf load in pressing direction or 5Kgf load in drawing out direction for 1 minute only 1 time per 1 terminal. There may be bent in terminals.

Your source for quality electronics. Toll-free full service  
**(800) 346-6873**



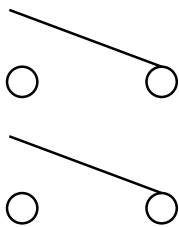


LR45128

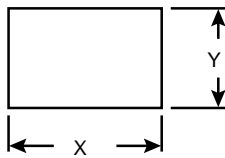
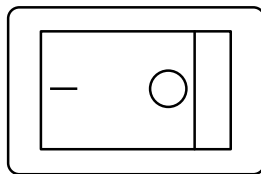


E67773

Dimensions (In.)

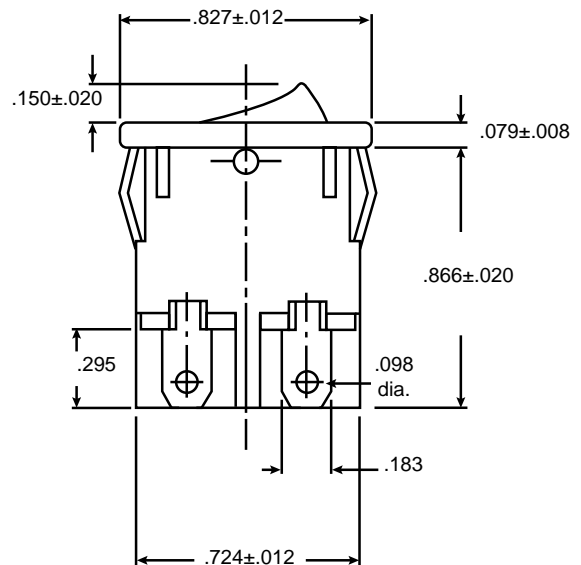
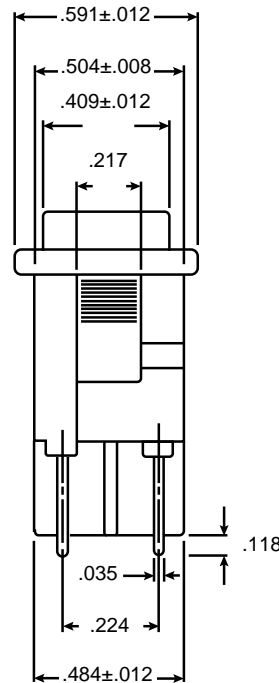


Circuit Schematic



Mounting Hole

Panel Thickness	X	Y
.030 to .049	.756±.004	.512±.004
.049 to .079	.764±.004	.512±.004
.079 to .118	.780±.004	.512±.004



Your source for quality electronics. Toll-free full service

**(800) 346-6873**

**Specifications:**

- Circuit: 4P DPST on-off
- Rating: 10A @ 125VAC, 6A @ 250VAC
- Contact resistance: 50mΩ max
- Insulation resistance: 500VDC 100MΩ min
- Voltage breakdown: 1500VAC for 1 minute
- Terminal option: PCB terminal

**Test Conditions:**

- Operating temperature range: -20°C to +70°C
- Storage temperature range: -20°C to +70°C
- Environmental standard: 5°C to 35°C and 40% to 85% R.H. If there are problems related to judgement, the reference condition shall be 25±2°C and 65±5% R.H.

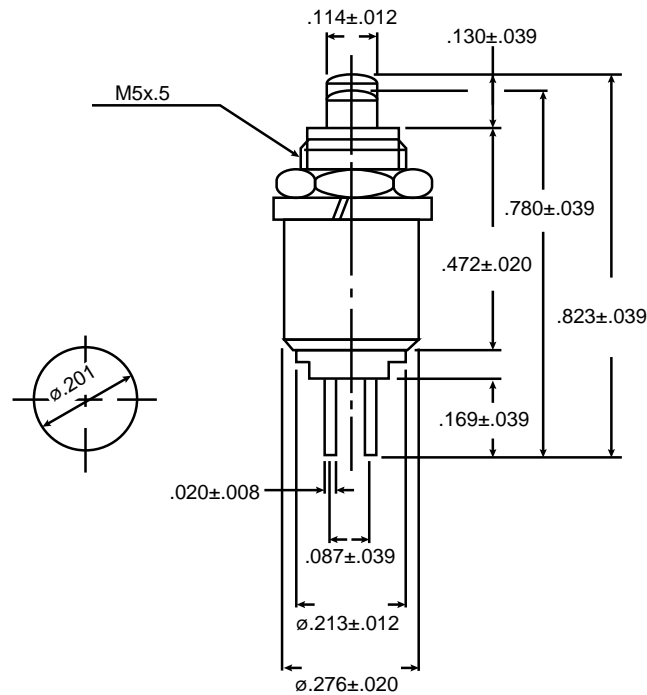
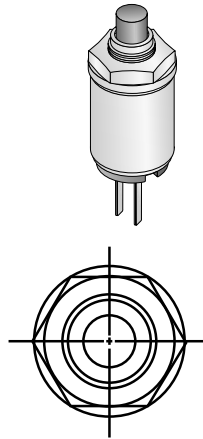
**Ratings:**

- Rated voltage and rated current: In use of resistive load or inductive load. 6A @ 250VAC, 10A @ 125VAC
- Surge current: In use of capacitive load. 111A @ 250VAC 1/240 sec

**Electrical Specifications:**

- Contact resistance: 5VDC and 1A 30mΩ max
- Insulation resistance: 500VDC applied between terminals or terminals and chassis. 100MΩ min
- Dielectric strength: Voltage @ 1500VAC applied for 1 min. between terminals. No broken insulation
- Operating force: Application of load to the tip of button in operating direction. 600±150gf
- Terminal strength: (1) Lead wiring terminal: Application of 1Kgf load for 1 minute in any direction. No defect or damage in terminals or housing (2) Fasten terminal: Application of 7Kgf load in pressing direction or 5Kgf load in drawing out direction for 1 minute only 1 time per 1 terminal. There may be no bent in terminals.

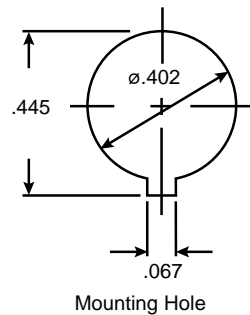
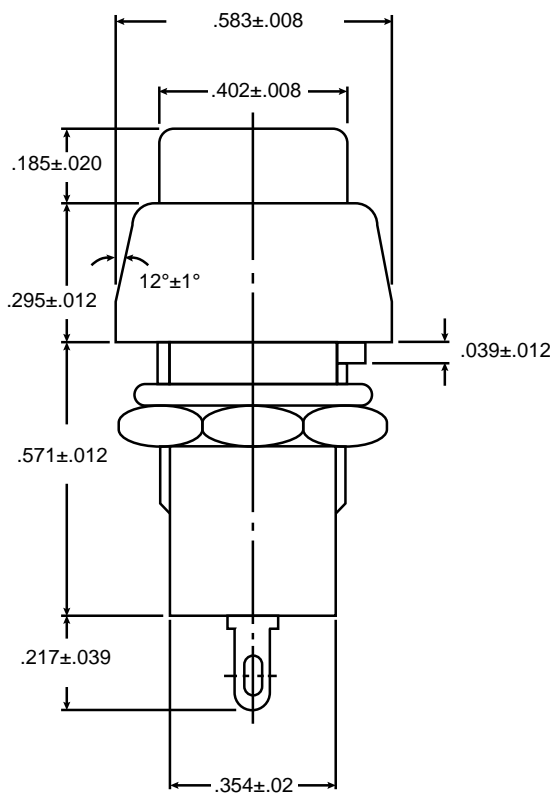
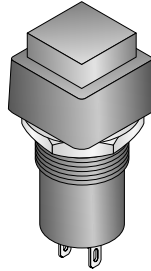
Your source for quality electronics. Toll-free full service  
**(800) 346-6873**



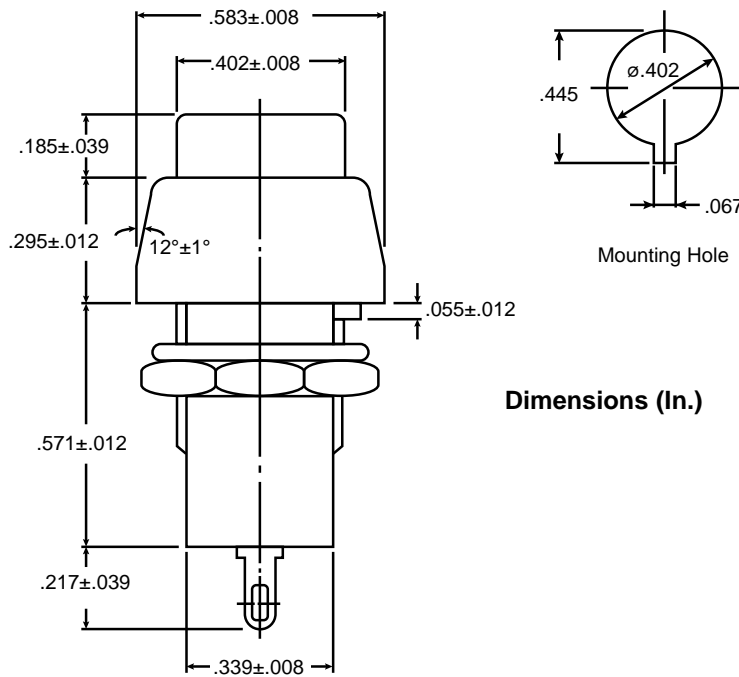
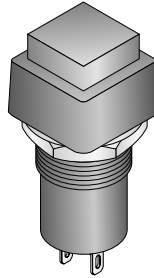
**Specifications:**

- Circuit: 2P SPST off-(on)
- Rating: .5A @ 125VAC
- Contact resistance: 50m $\Omega$  max
- Insulation resistance: 500VDC 100M $\Omega$  min
- Dielectric strength: 1000VAC for 1 minute

Your source for quality electronics. Toll-free full service  
**(800) 346-6873**

**Specifications:**

- Circuit: 2P SPST off-(on)
- Rating: 3A @ 125VAC, 1A @ 250VAC
- Contact resistance: 20m $\Omega$  max
- Insulation resistance: 500VDC 100M $\Omega$  min
- Dielectric strength: 1500VAC for 1 minute
- Terminal option: solder terminal
- Red

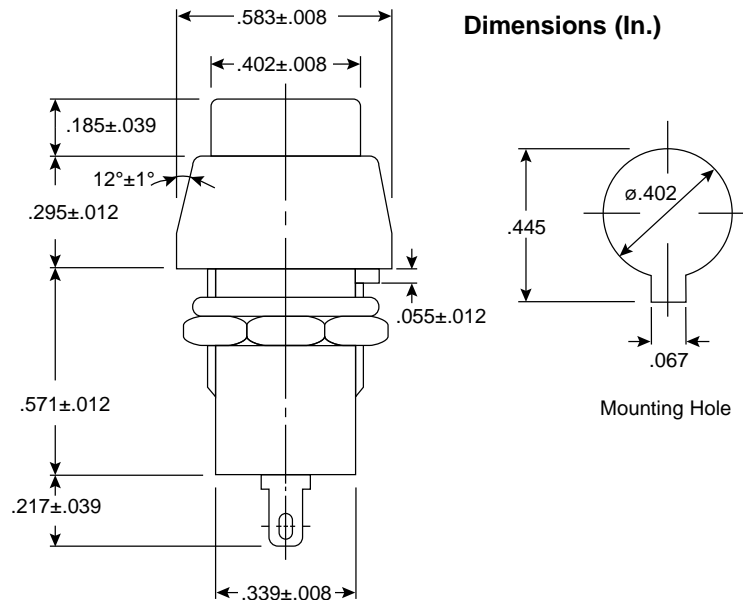
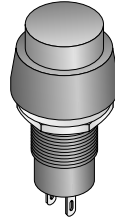


Dimensions (In.)

**Specifications:**

- Circuit: 2P SPST on-off
- Rating: 3A @ 125VAC, 1A @ 250VAC
- Contact resistance: 20m $\Omega$  max
- Insulation resistance: 500VDC 100M $\Omega$  min
- Dielectric strength: 1500VAC for 1 minute
- Terminal option: solder terminal

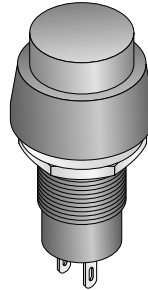
Your source for quality electronics. Toll-free full service  
**(800) 346-6873**



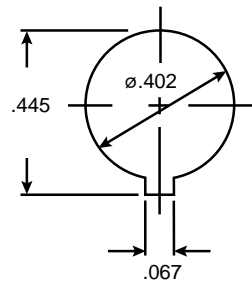
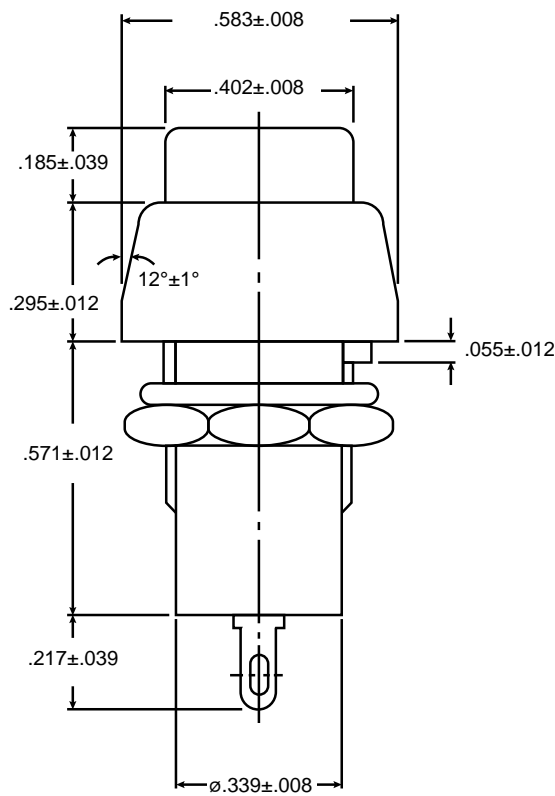
**Specifications:**

- Circuit: 2P SPST off-(on)
- Rating: 3A @ 125VAC, 1A @ 250VAC
- Contact resistance: 20mΩ max
- Insulation resistance: 500VDC 100MΩ min
- Dielectric strength: 1500VAC for 1 minute
- Terminal option: solder terminal

Your source for quality electronics. Toll-free full service  
**(800) 346-6873**



Dimensions (In.)

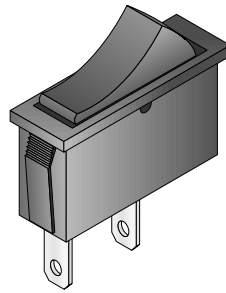


Mounting Hole

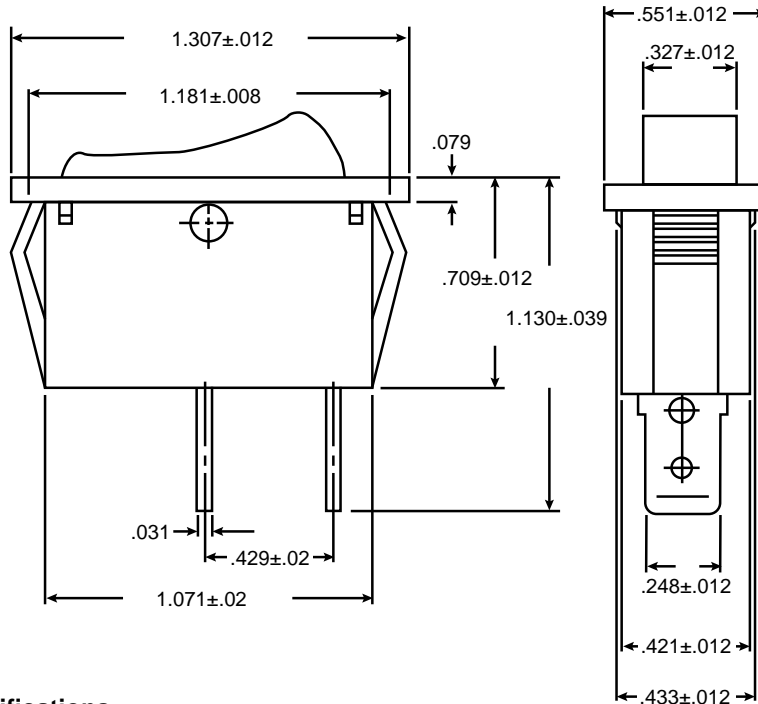
**Specifications:**

- Circuit: 2P SPST on-off
- Rating: 3A @ 125VAC, 1A @ 250VAC
- Contact resistance: 20mΩ max
- Insulation resistance: 500VDC 100MΩ min
- Dielectric strength: 1500VAC for 1 minute
- Terminal option: solder terminal

Your source for quality electronics. Toll-free full service  
**(800) 346-6873**



Dimensions (In.)

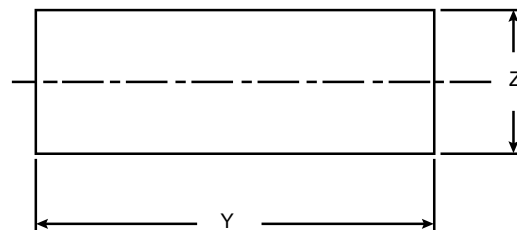


**Specifications:**

- Circuit: 2P SPST on-off
- Rating: 1. 16A @ 125VAC 1/8HP  
10A @ 250VAC 1/3HP  
2. 20A @ 12VDC
- Contact resistance: 50mΩ max
- Insulation resistance: 500VDC 100MΩ min
- Dielectric strength: 1500VAC for 1 minute
- Terminal option: quick terminal

Panel Access Hole Cut Out Data

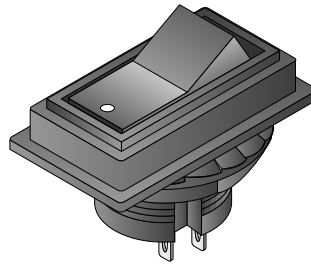
Panel Thickness	Y	Z
.030 to .049	1.189±.004	.441±.004
.049 to .079	1.197±.004	.441±.004
.079 to .118	1.213±.004	.441±.004



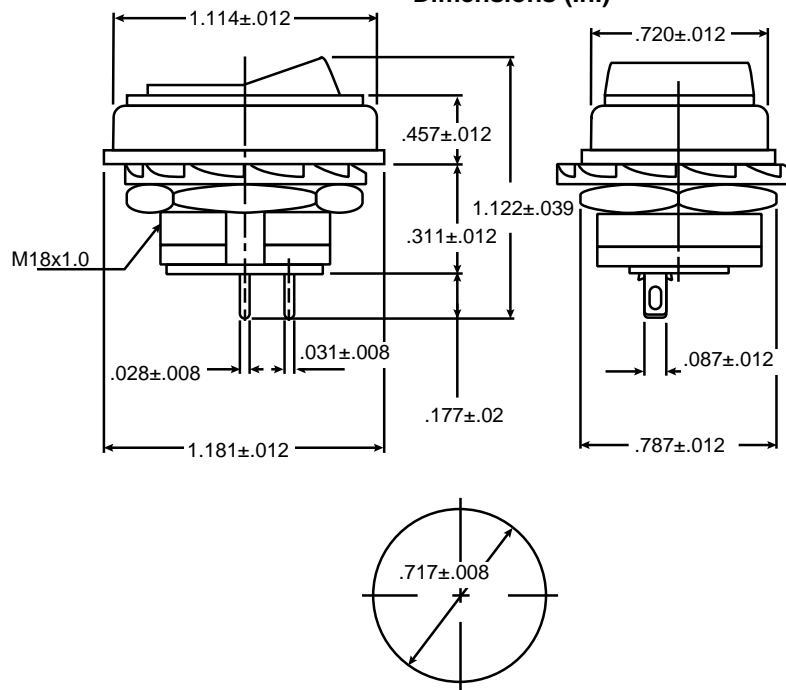
Your source for quality electronics. Toll-free full service

**(800) 346-6873**





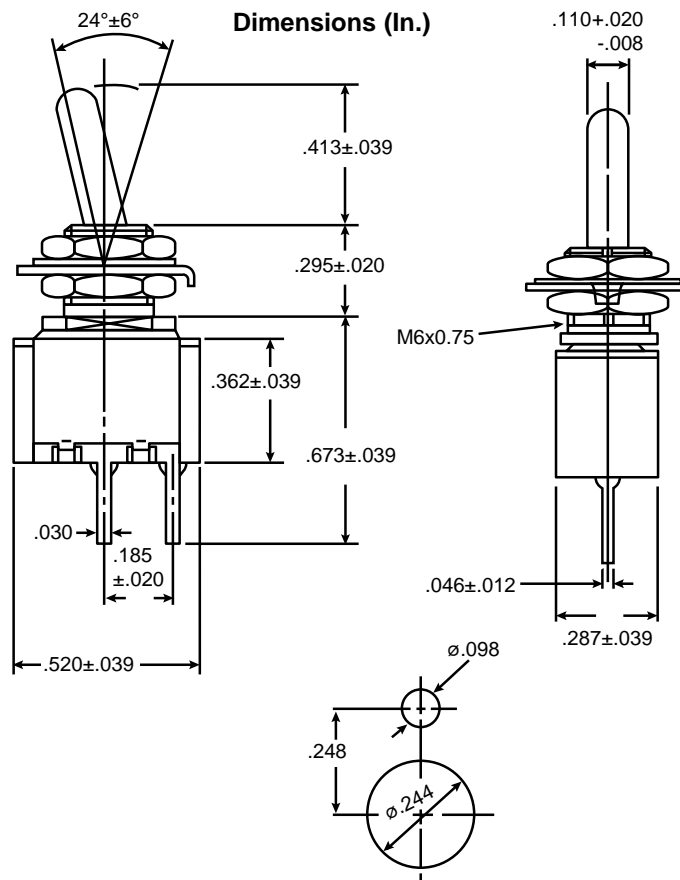
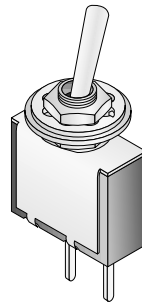
Dimensions (In.)



**Specifications:**

- Circuit: 2P SPST on-off
- Rating: 6A @ 125VAC, 3A @ 250VAC
- Contact resistance: 50mΩ max
- Insulation resistance: 500VDC 100MΩ min
- Dielectric strength: 1500VAC for 1 minute
- Terminal option: solder terminal

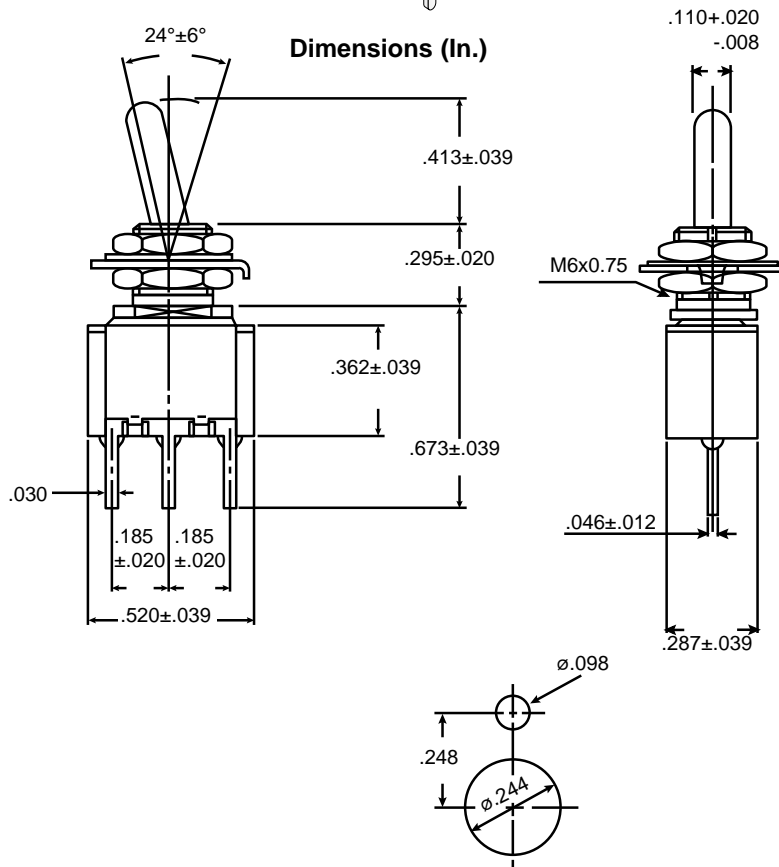
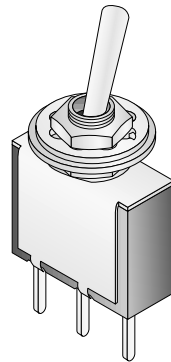
Your source for quality electronics. Toll-free full service  
**(800) 346-6873**



**Specifications:**

- Rating: 6A @ 125VAC, 3A @ 250VAC
- Contact resistance: 20mΩ max
- Insulation resistance: 500VDC 100MΩ min
- Voltage breakdown: 1000VAC for 1 minute
- Electrical life: 10,000 cycles
- Mechanical life: 100,000 cycles
- Operating temperature: -20°C ~ +65°C
- Terminal options: PC terminal
- Circuit operations: 2P SPST on-off

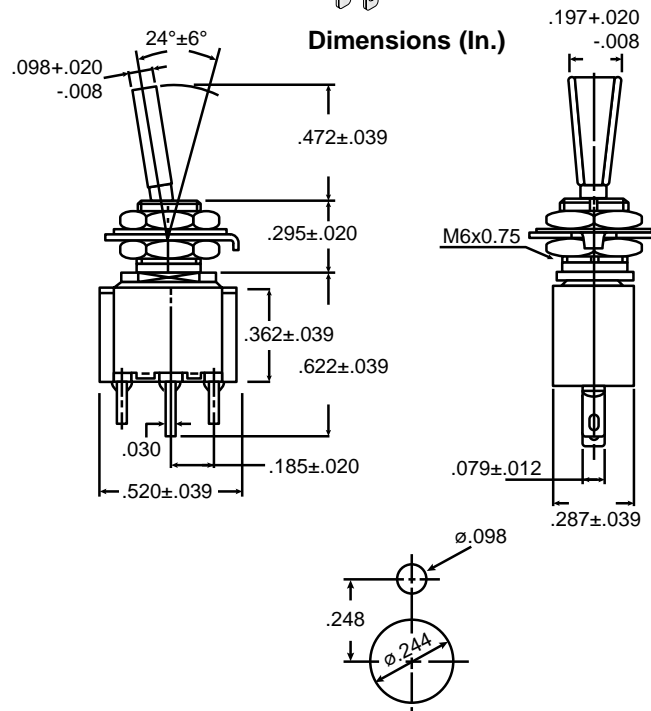
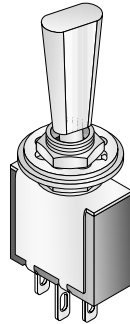
Your source for quality electronics. Toll-free full service  
**(800) 346-6873**



**Specifications:**

- Rating: 6A @ 125VAC, 3A @ 250VAC
- Contact resistance: 20mΩ max
- Insulation resistance: 500VDC 100MΩ min
- Voltage breakdown: 1000VAC for 1 minute
- Electrical life: 10,000 cycles
- Mechanical life: 100,000 cycles
- Operating temperature: -20°C ~ +65°C
- Terminal options: PC terminal
- Circuit operations: 3P SPDT (on)-off-(on)

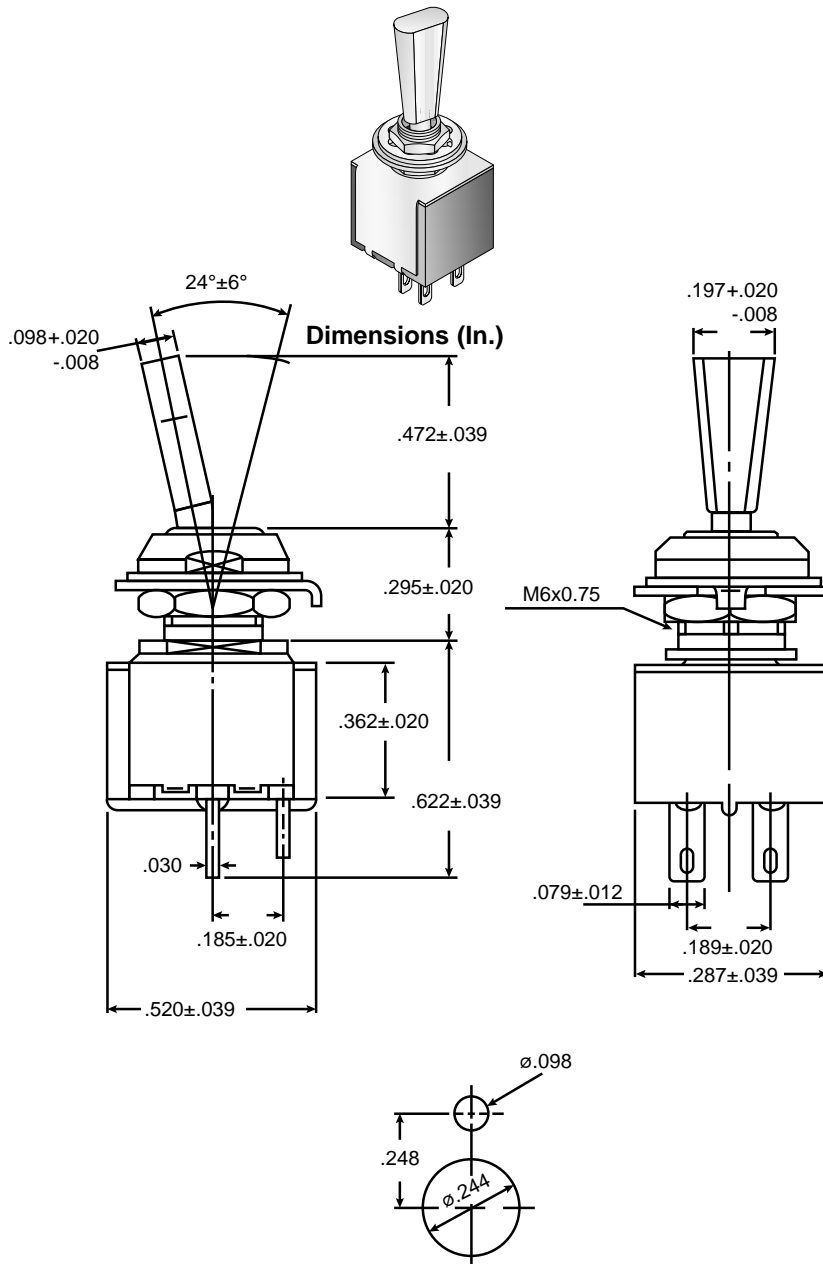
Your source for quality electronics. Toll-free full service  
**(800) 346-6873**



**Specifications:**

- Rating: 6A @ 125VAC, 3A @ 250VAC
- Contact resistance: 20mΩ max
- Insulation resistance: 500VDC 100MΩ min
- Voltage breakdown: 1000VAC for 1 minute
- Electrical life: 10,000 cycles
- Mechanical life: 100,000 cycles
- Operating temperature: -20°C ~ +65°C
- Terminal options: solder terminal
- Circuit operations: 3P SPDT on-off-on

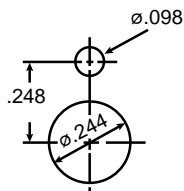
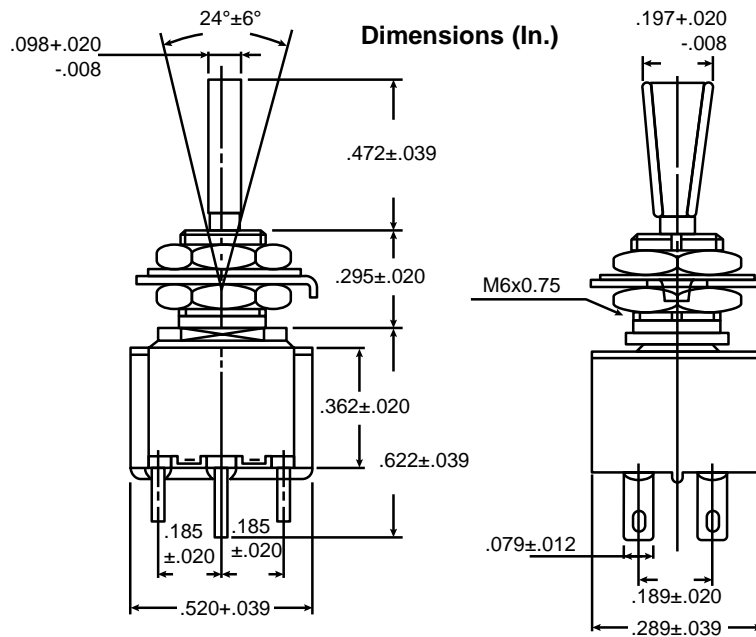
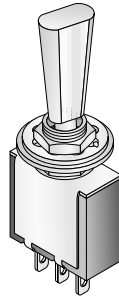
Your source for quality electronics. Toll-free full service  
**(800) 346-6873**



**Specifications:**

- Rating: 6A @ 125VAC, 3A @ 250VAC
- Contact resistance: 20m $\Omega$  max
- Insulation resistance: 500VDC 100M $\Omega$  min
- Voltage breakdown: 1000VAC for 1 minute
- Electrical life: 10,000 cycles
- Mechanical life: 100,000 cycles
- Operating temperature: -20°C ~ +65°C
- Terminal options: solder terminal
- Circuit operations: 4P DPST on-off

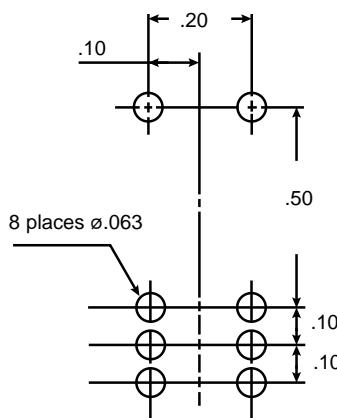
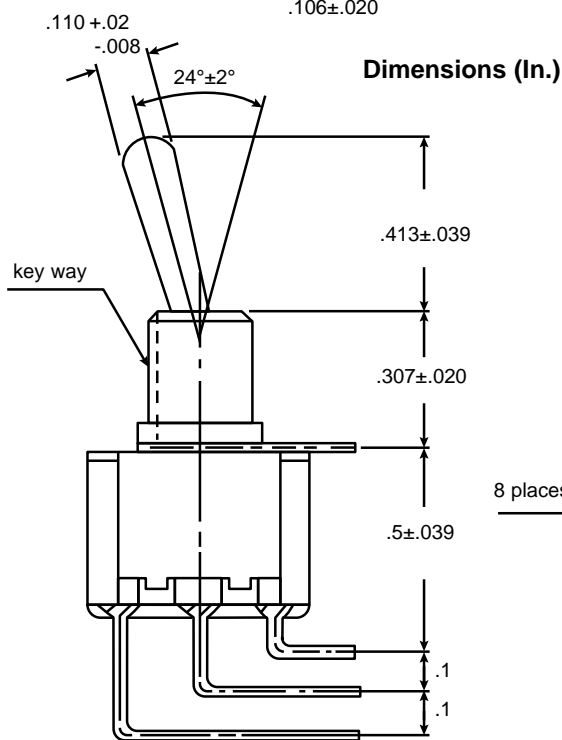
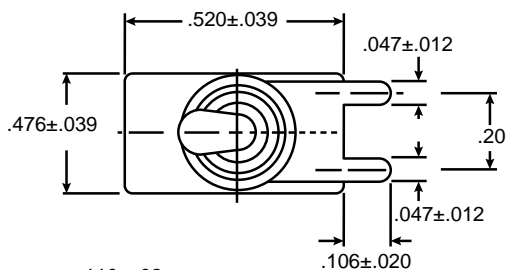
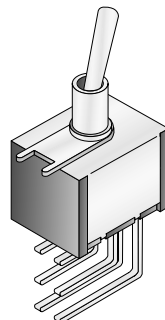
Your source for quality electronics. Toll-free full service  
**(800) 346-6873**



**Specifications:**

- Rating: 6A @ 125VAC, 3A @ 250VAC
- Contact resistance: 20mΩ max
- Insulation resistance: 500VDC 100MΩ min
- Voltage breakdown: 1000VAC for 1 minute
- Electrical life: 10,000 cycles
- Mechanical life: 100,000 cycles
- Operating temperature: -20°C ~ +65°C
- Terminal options: solder terminal
- Circuit operations: 6P DPDT on-off-on

Your source for quality electronics. Toll-free full service  
**(800) 346-6873**

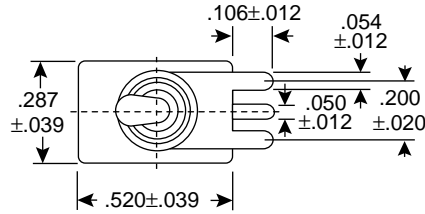


**Specifications:**

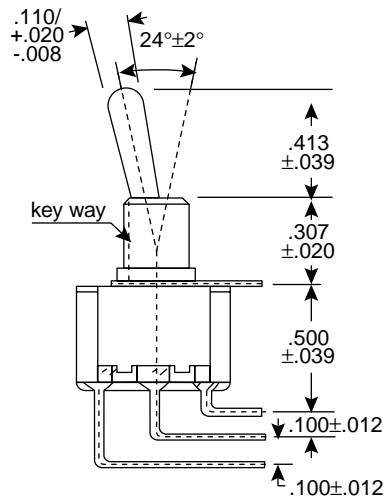
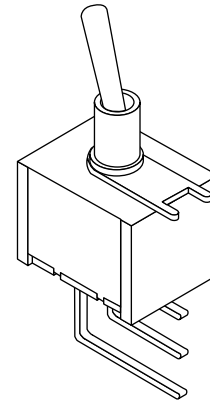
- Rating: 6A @ 125VAC, 3A @ 250VAC
- Contact resistance: 20mΩ max
- Insulation resistance: 500VDC 100MΩ min
- Voltage breakdown: 1000VAC for 1 minute
- Electrical life: 10,000 cycles
- Mechanical life: 100,000 cycles
- Operating temperature: -20°C ~ +65°C
- Terminal options: angle terminal

Mouser Stock No.	Type	Circuit
1055-TA1260	6P DPDT	On-On
1055-TA1262	6P DPDT	On-(On)
1055-TA1265	6P DPDT	On-Off-On

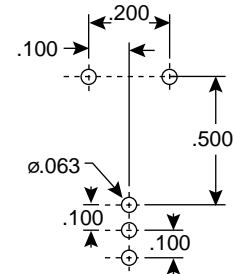
Your source for quality electronics. Toll-free full service  
**(800) 346-6873**



Dimensions (In.)



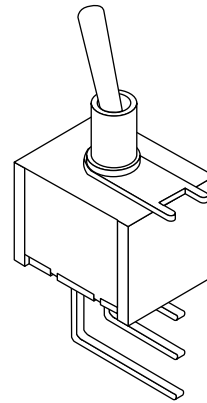
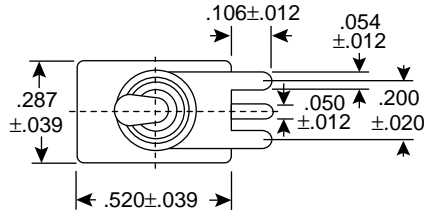
Mounting Holes



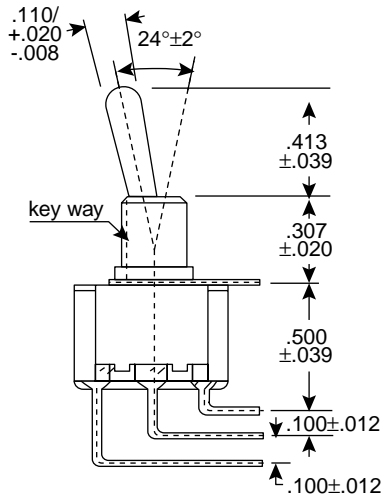
**Specifications:**

- Rating: 6A @ 125VAC, 3A @ 250VAC
- Contact resistance: 20mΩ max
- Insulation resistance: 500VDC 100MΩ min
- Voltage breakdown: 1000VAC for 1 minute
- Electrical life: 10,000 cycles
- Mechanical life: 100,000 cycles
- Operating temperature: -20°C ~ +65°C
- Terminal options: angle terminal
- Circuit operations: 2P, SPST, on-off

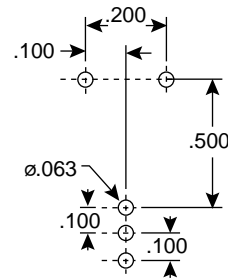




Dimensions (In.)



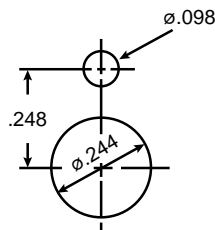
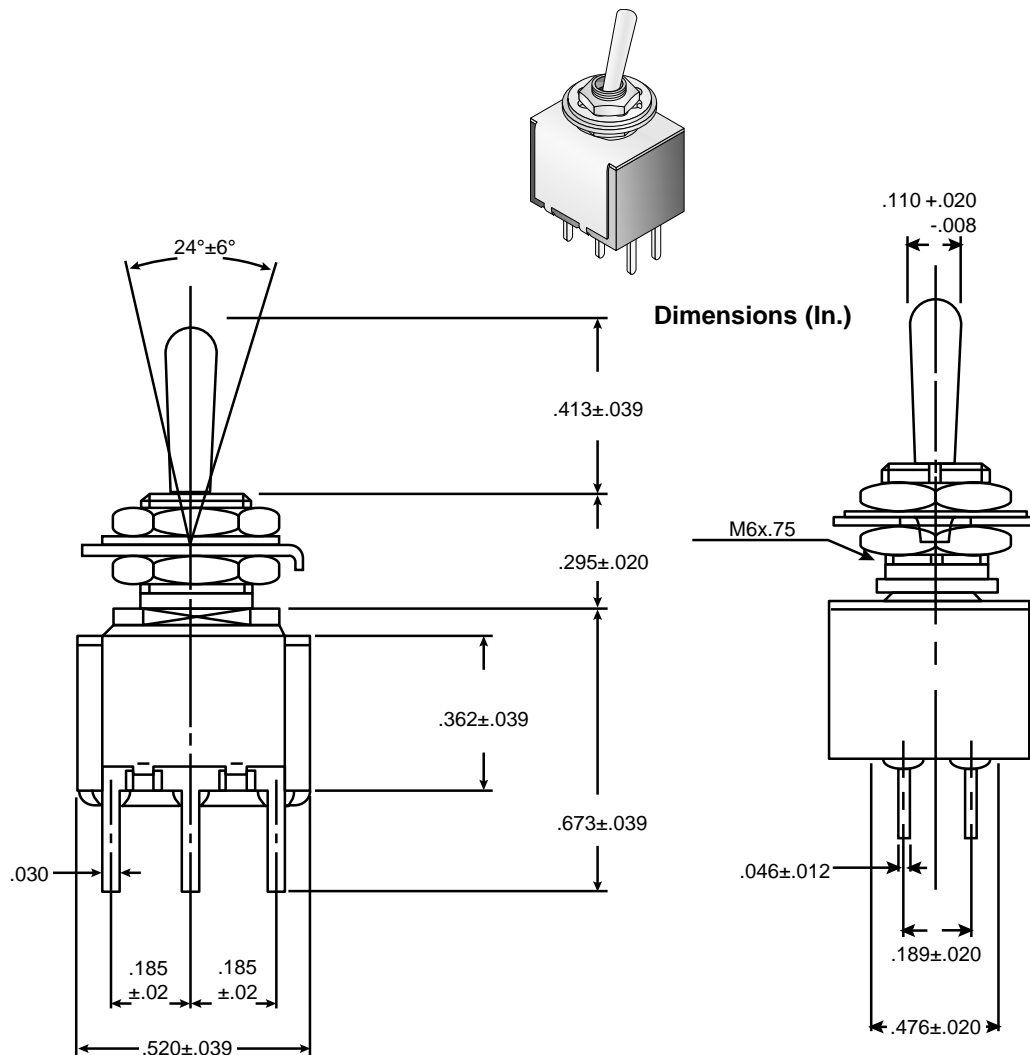
Mounting Holes



**Specifications:**

- Rating: 6A @ 125VAC, 3A @ 250VAC
- Contact resistance: 20mΩ max
- Insulation resistance: 500VDC 100MΩ min
- Voltage breakdown: 1000VAC for 1 minute
- Electrical life: 10,000 cycles
- Mechanical life: 100,000 cycles
- Operating temperature: -20°C ~ +65°C
- Terminal options: angle terminal

Mouser Stock No.	Type	Circuit
1055-TA1230	SPDT	ON-ON
1055-TA1235	SPDT	ON-OFF-ON
1055-TA1260	DPDT	ON-ON
1055-TA1262	DPDT	ON-(ON)
1055-TA1265	DPDT	ON-OFF-ON



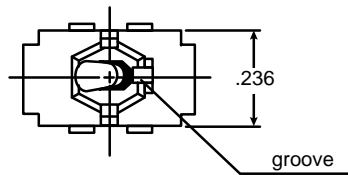
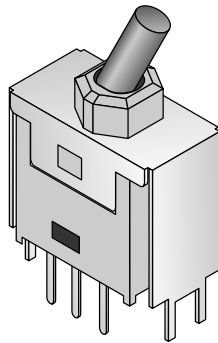
**Specifications:**

- Rating: 6A @ 125VAC, 3A @ 250VAC
- Contact resistance: 20mΩ max
- Insulation resistance: 500VDC 100MΩ min
- Voltage breakdown: 1000VAC for 1 minute
- Electrical life: 10,000 cycles
- Mechanical life: 100,000 cycles
- Operating temperature: -20°C ~ +65°C
- Terminal options: PC terminal

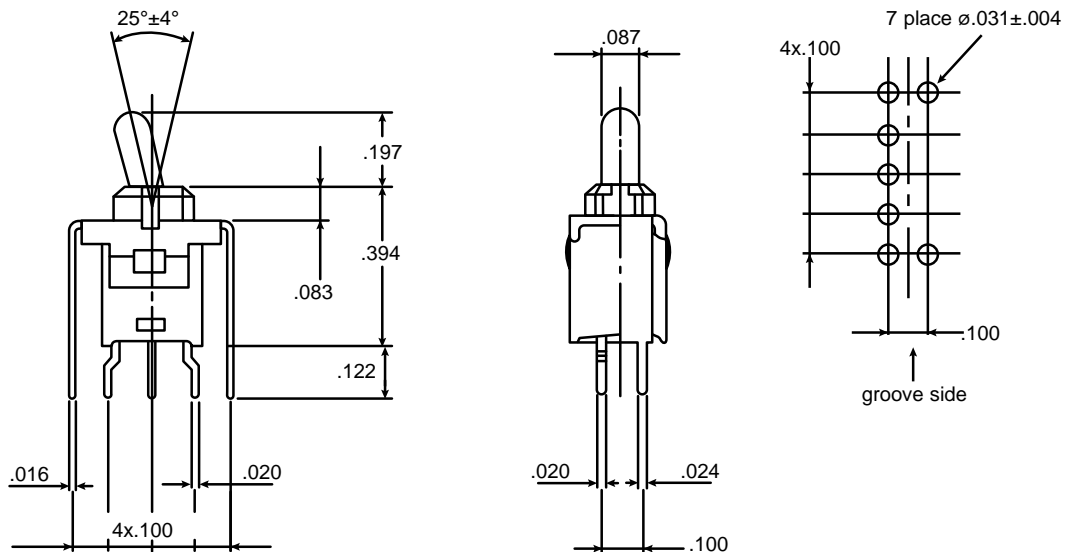
Mouser Stock No.	Type	Circuit
1055-TA1360	6P DPDT	On-On
1055-TA1365	6P DPDT	On-Off-On

Your source for quality electronics. Toll-free full service

**(800) 346-6873**



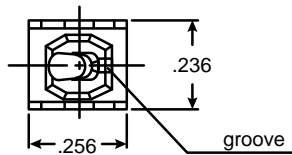
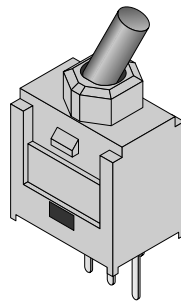
Dimensions (In.)



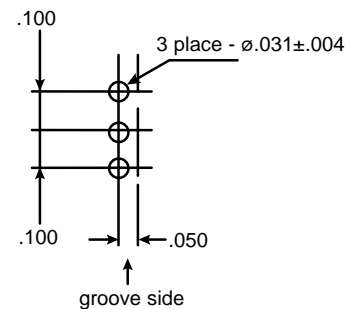
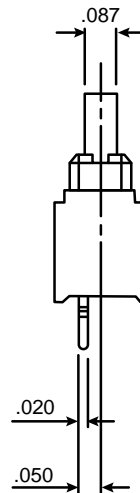
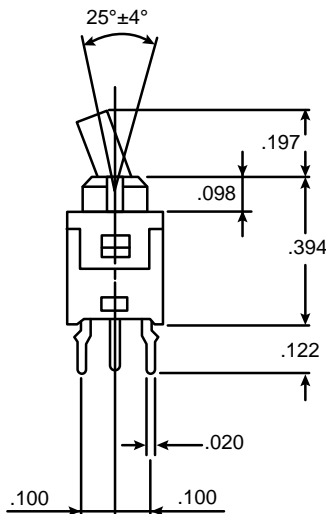
**Specifications:**

- Rating: 0.4VA (voltage 20mV ~ 28V, current 0.1mA ~ 0.1A)
- Contact resistance: 1mA, 0.1µW 50mΩ (max)
- Insulation resistance: 500VDC 1000MΩ (min)
- Voltage breakdown: 500VAC (50/60Hz) for 1 minute
- Operating life: 100,000 cycles (with load or without load)
- Vibration resistance:
  - ◇ total amplitude 1.5mm
  - ◇ vibration frequency range 10~55Hz
  - ◇ contact bounce 10µsec
- Electrostatic resistance: max 8KV (when bracket mount is not used)
- Operating temperature range: -20°C to +80°C (without condensation)
- Storage temperature range: -25°C to +100°C (without condensation)
- Circuit: SPDT on-off-on

Your source for quality electronics. Toll-free full service  
**(800) 346-6873**



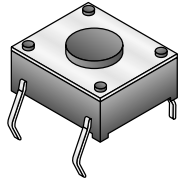
Dimensions (In.)



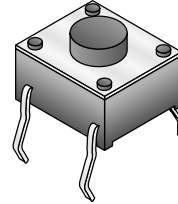
**Specifications:**

- Rating: 0.4VA (voltage 20mV ~ 28V, current 0.1mA ~ 0.1A)
- Contact resistance: 1mA, 0.1μW 50mΩ (max)
- Insulation resistance: 500VDC 1000MΩ (min)
- Voltage breakdown: 500VAC (50/60Hz) for 1 minute
- Operating life: 100,000 cycles (with load or without load)
- Vibration resistance:
  - ◊ total amplitude 1.5mm
  - ◊ vibration frequency range 10~55Hz
  - ◊ contact bounce 10μsec
- Electrostatic resistance: max 8KV (when bracket mount is not used)
- Operating temperature range: -20°C to +80°C (without condensation)
- Storage temperature range: -25°C to +100°C (without condensation)
- Circuit: SPDT on-off-on
- Height reliability and stability
- Improved installing efficiency
- Full cleaning; water-resistant; dust-proof
- Black

Your source for quality electronics. Toll-free full service  
**(800) 346-6873**

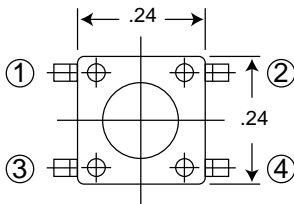


101-0161

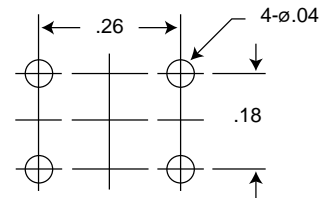
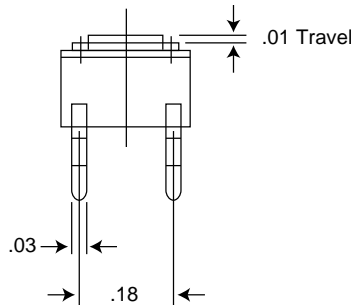
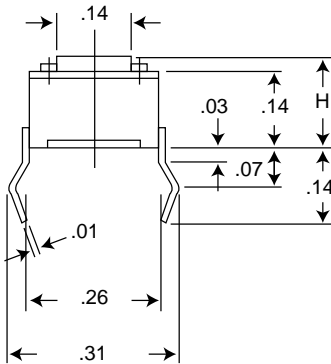
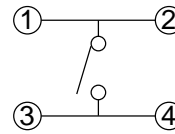


101-0261

### Dimensions (In.)



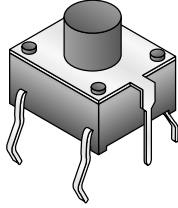
Mouser Stock No.	H
101-0161	4.3
101-0261	5.0



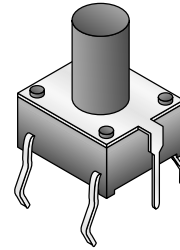
### Specifications:

- Rating: DC12V 50mA
- Insulation resistance: >100MΩ DC250V
- Withstand voltage: AC250V 1 minute
- Contact resistance: <100mΩ
- Soldering temperature: 255°C max. 5 sec
- Mechanical life: 500,000 cycles
- Electrical life: 300,000 cycles
- Ambient temperature used: -25°C to +70°C
- Ambient humidity used: <85% RH
- Operating force: 130 or 160 ±30gf

Your source for quality electronics. Toll-free full service  
**(800) 346-6873**

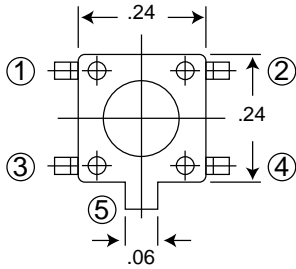


101-0362

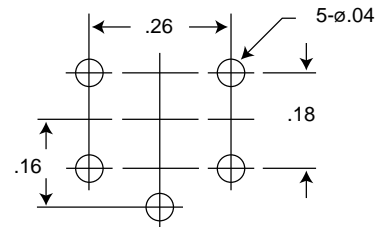
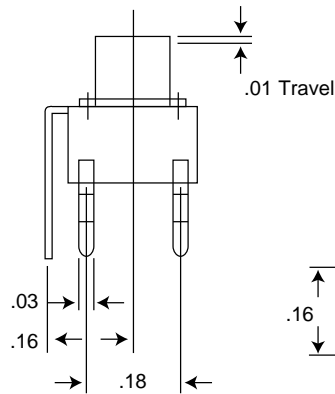
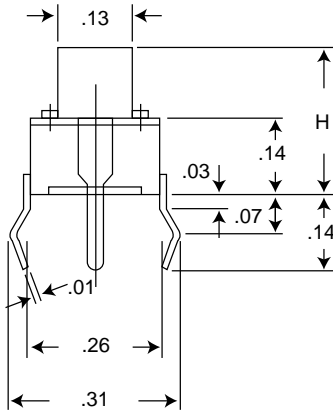
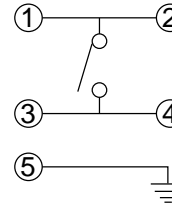


101-0462

### Dimensions (In.)



Mouser Stock No.	H
101-0362	.28
101-0462	.37

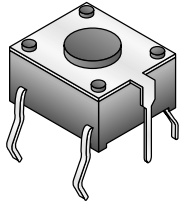


### Specifications:

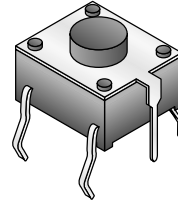
- Rating: DC12V 50mA
- Insulation resistance: >100MΩ DC250V
- Withstand voltage: AC250V 1 minute
- Contact resistance: <100mΩ
- Soldering temperature: 255°C max. 5 sec
- Mechanical life: 500,000 cycles
- Electrical life: 300,000 cycles
- Ambient temperature used: -25°C to +70°C
- Ambient humidity used: <85% RH
- Operating force: 130 or 160 ±30gf

Your source for quality electronics. Toll-free full service

**(800) 346-6873**

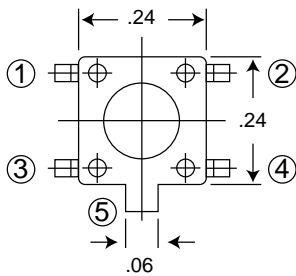


101-0162

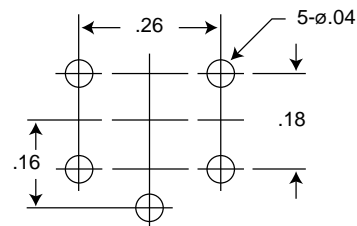
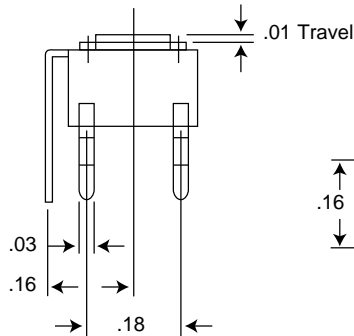
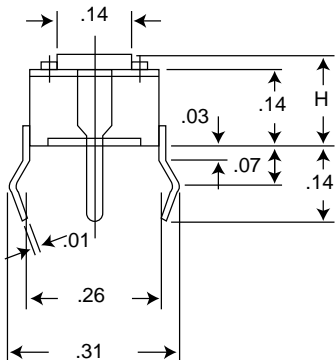
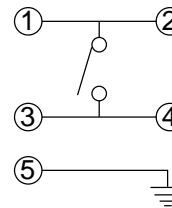


101-0262

### Dimensions (In.)



Mouser Stock No.	H
101-0162	.17
101-0262	.20

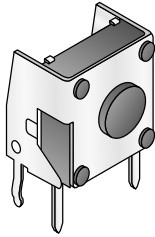


### Specifications:

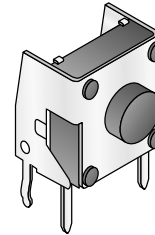
- Rating: DC12V 50mA
- Insulation resistance: >100MΩ DC250V
- Withstand voltage: AC250V 1 minute
- Contact resistance: <100mΩ
- Soldering temperature: 255°C max. 5 sec
- Mechanical life: 500,000 cycles
- Electrical life: 300,000 cycles
- Ambient temperature used: -25°C to +70°C
- Ambient humidity used: <85% RH
- Operating force: 130 or 160 ±30gf

Your source for quality electronics. Toll-free full service

**(800) 346-6873**

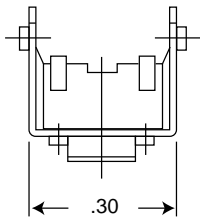


101-0163

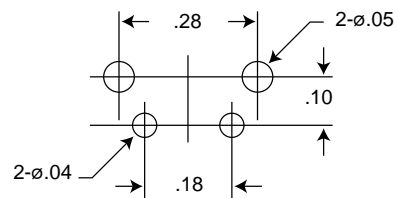
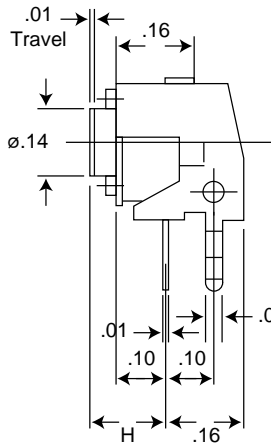
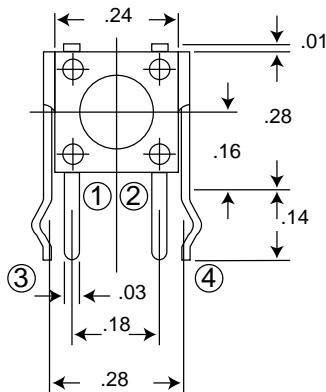
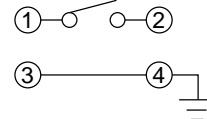


101-0263

Dimensions (In.)



Mouser Stock No.	H
101-0163	.12
101-0263	.15

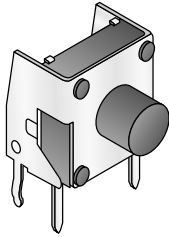


**Specifications:**

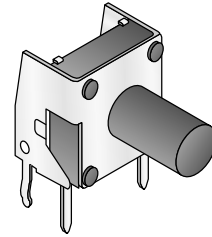
- Rating: DC12V 50mA
- Insulation resistance: >100MΩ DC250V
- Withstand voltage: AC250V 1 minute
- Contact resistance: <100mΩ
- Soldering temperature: 255°C max. 5 sec
- Mechanical life: 500,000 cycles
- Electrical life: 300,000 cycles
- Ambient temperature used: -25°C to +70°C
- Ambient humidity used: <85% RH
- Operating force: 130 or 160 ±30gf

Your source for quality electronics. Toll-free full service  
**(800) 346-6873**



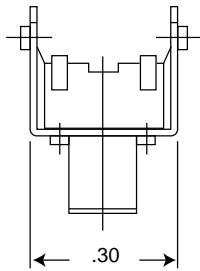


101-0363

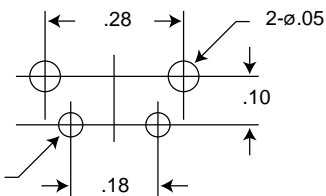
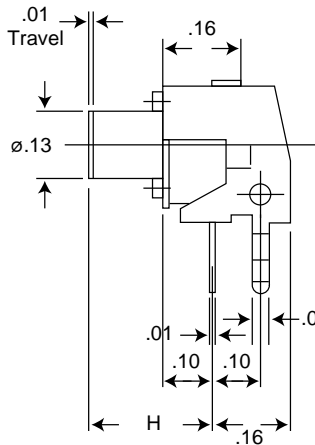
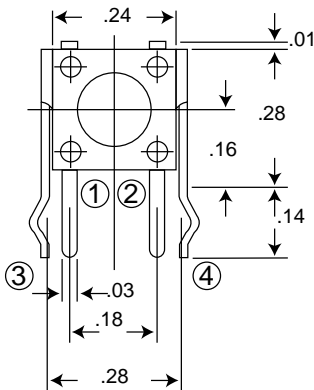
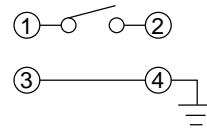


101-0463

### Dimensions (In.)



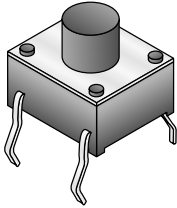
Mouser Stock No.	H
101-0363	.23
101-0463	.33



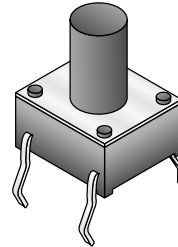
### Specifications:

- Rating: DC12V 50mA
- Insulation resistance: >100MΩ DC250V
- Withstand voltage: AC250V 1 minute
- Contact resistance: <100mΩ
- Soldering temperature: 255°C max. 5 sec
- Mechanical life: 500,000 cycles
- Electrical life: 300,000 cycles
- Ambient temperature used: -25°C to +70°C
- Ambient humidity used: <85% RH
- Operating force: 130 or 160 ±30gf

Your source for quality electronics. Toll-free full service  
**(800) 346-6873**

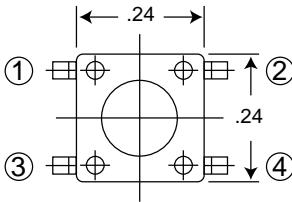


101-0361

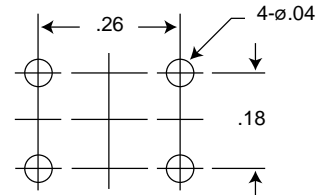
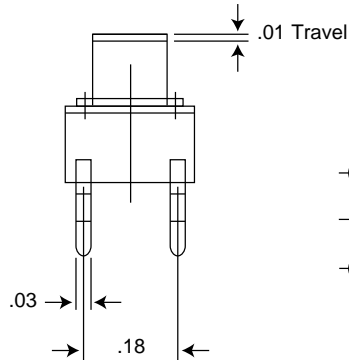
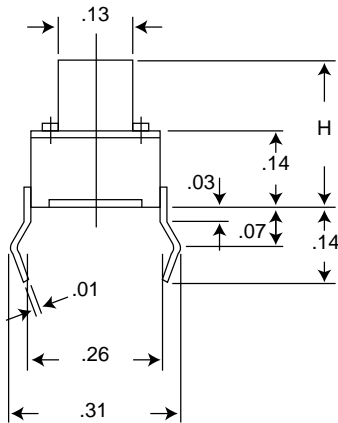
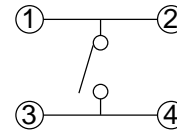


101-0461

### Dimensions (In.)



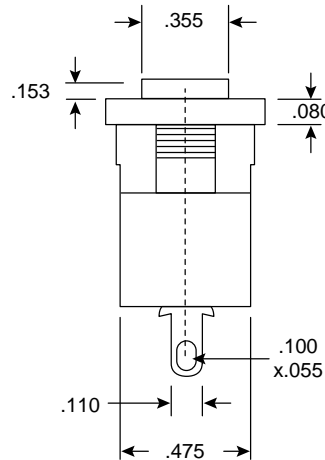
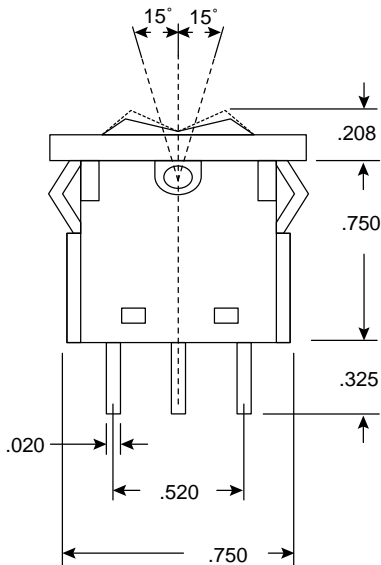
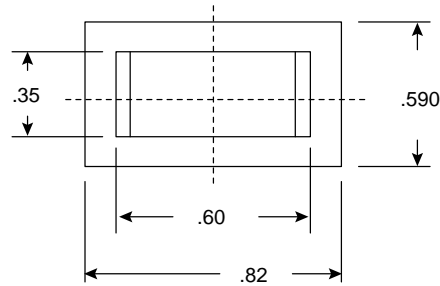
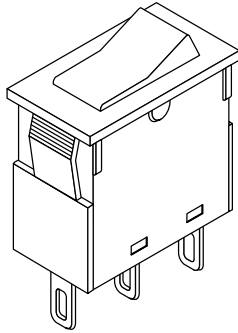
Mouser Stock No.	H
101-0361	.28
101-0461	.37



### Specifications:

- Rating: DC12V 50mA
- Insulation resistance: >100MΩ DC250V
- Withstand voltage: AC250V 1 minute
- Contact resistance: <100mΩ
- Soldering temperature: 255°C max. 5 sec
- Mechanical life: 500,000 cycles
- Electrical life: 300,000 cycles
- Ambient temperature used: -25°C to +70°C
- Ambient humidity used: <85% RH
- Operating force: 130 or 160 ±30gf

Your source for quality electronics. Toll-free full service  
**(800) 346-6873**



**Dimensions (In.)**

**Specifications:**

- Insulation resistance: 200MΩ (min.) @ 500VDC
- Voltage breakdown: 2000VAC for 1 minute
- Contact resistance: 20mΩ (max.) @ .1A/2.5VAC
- Circuit: SPDT
- Terminal: solder lug
- Switching function: On-On
- Rating: 3A/250VAC
- Frame color: black



E43907



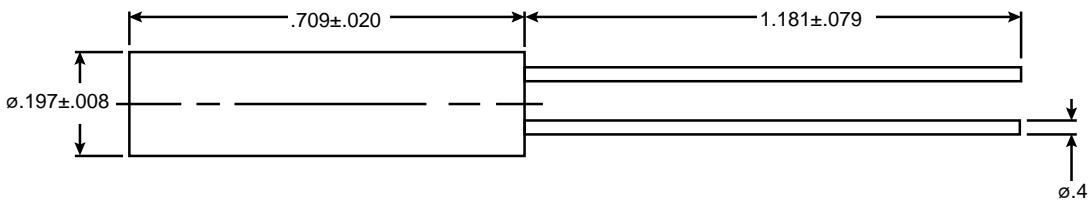
LR26920

Your source for quality electronics. Toll-free full services

**(800)346-6873**

<http://www.mouser.com>

### Dimensions (In.)



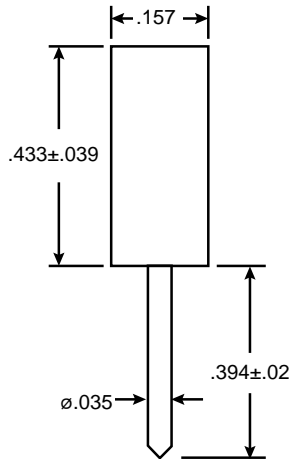
### Specifications:

- Contact resistance (initial):  $.05\Omega$  (max.)
- Endurance: 100,000 times
- Metal type rating: 500mA (110VAC)
- Conductive angle: 5 ~ 10 degree
- Contact material: special conductive material

Your source for quality electronics. Toll-free full service

**(800) 346-6873**

### Dimensions (In.)



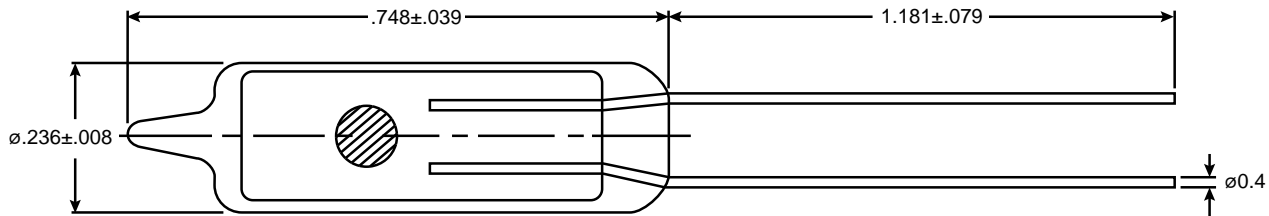
### Specifications:

- Maximum switch rating: 120V 10mA  
15VDC 450mA  
12VDC 150mA  
50VDC 20mA
- Contact resistance: .8Ω max.
- Differential angle: 15 degree max.

Your source for quality electronics. Toll-free full service

**(800) 346-6873**

### Dimensions (In.)

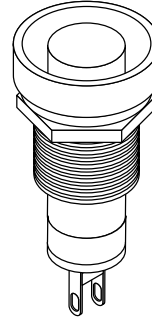
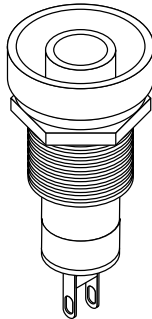


### Specifications:

- Contact resistance (initial): .05 $\Omega$  (max.)
- Endurance: 100,000 times
- Class tube & type rating: 500mA (110VAC)
- Conductive angle: 5 ~ 10° degree
- Contact material: special conductive material

Your source for quality electronics. Toll-free full service

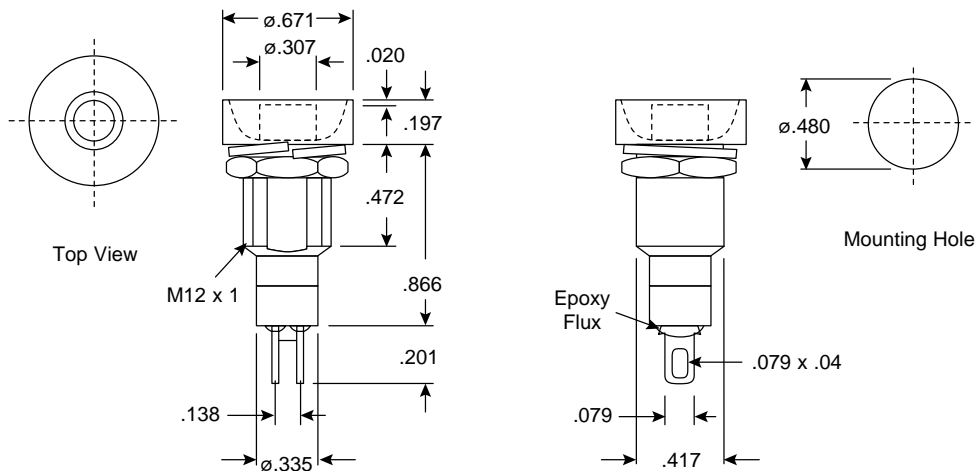
**(800) 346-6873**



Mouser Stock No.	Button Color	Frame Color
107-1259-R	Red	Black
107-1259-S	Silver	Black
107-2259-R	Red	Gray
107-2259-S	Silver	Gray

Mouser Stock No.	Button Color	Frame Color
107-1262-R	Red	Black
107-2262-B	Black	Black
107-2262-R	Red	Gray
107-2262-G	Gray	Gray

### Dimensions (In.)



### Specifications:

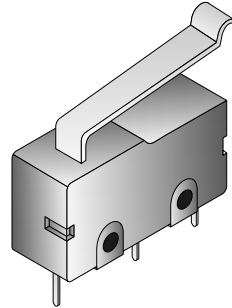
- Type: SPST
- Switching function: Off-(On)
- Rating: 3A/125VAC

- Insulation resistance: 100MΩ 500VDC
- Contact resistance: 20mΩ 1A/2.5VDC
- Voltage breakdown: 1000V for 1 minute
- Solder terminals

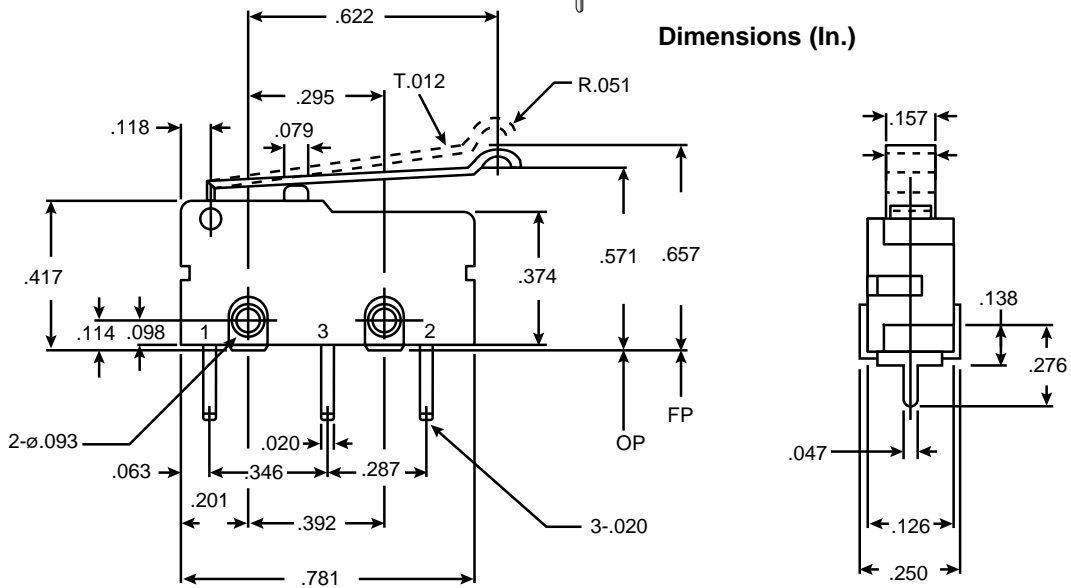
Your source for quality electronics. Toll-free full service

**(800) 346-6873**

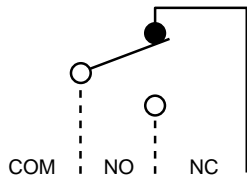
<http://www.mouser.com>



Dimensions (In.)



OP: Operating Position  
 FP: Free Position  
 Pre Travel: FP - OP



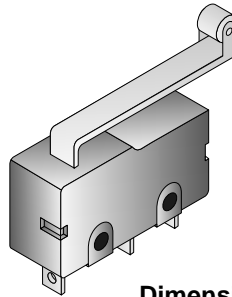
**Specifications:**

- Switching timing: non-shorting
- Rating: 3A @ 125VAC
- Insulation resistance: more than 500VDC @ 100MΩ
- Withstand voltage: 500VAC for 1 minute
- Contact resistance: less than 50mΩ
- Life cycling (no load): 1,000,000 cycles
- Life cycling (full load): 200,000 cycles
- Ambient temperature used: -25°C to +80°C
- Ambient humidity used: less than 85% RH
- Operating force: 28g ± 10g
- Travel: ø.86 inches

Your source for quality electronics. Toll-free full service

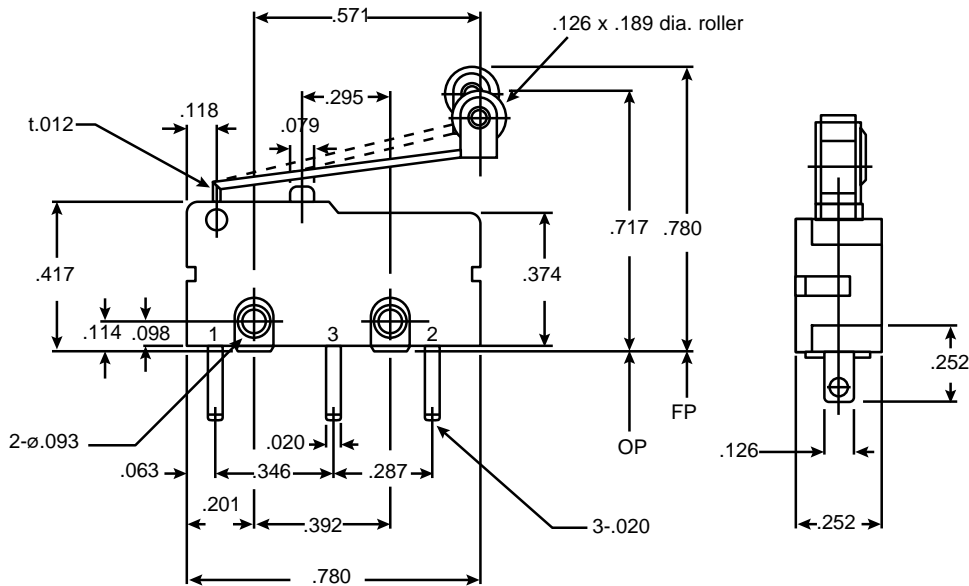
**(800) 346-6873**



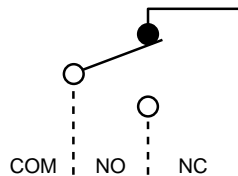


E163371

Dimensions (In.)



OP: Operating Position  
FP: Free Position  
Pre Travel: FP - OP

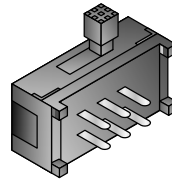


**Specifications:**

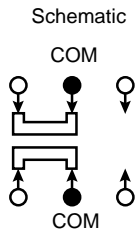
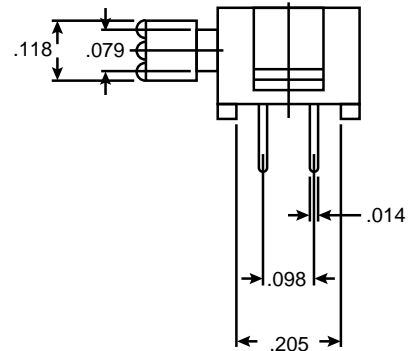
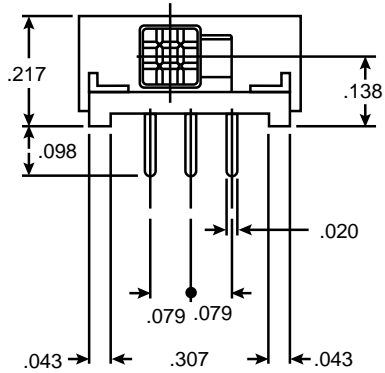
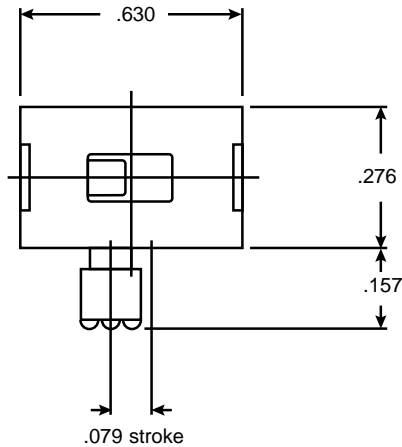
- Switching timing: non-shorting
- Rating: 5A @ 125VAC
- Insulation resistance: more than 500VDC @ 100MΩ
- Withstand voltage: 500VAC for 1 minute
- Contact resistance: less than 50mΩ
- Life cycling (no load): 1,000,000 cycles
- Life cycling (full load): 200,000 cycles
- Ambient temperature used: -25°C to +80°C
- Ambient humidity used: less than 85% RH
- Operating force: 30g ± 10g
- Travel: ø.63

Your source for quality electronics. Toll-free full service

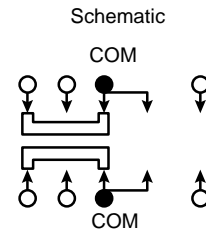
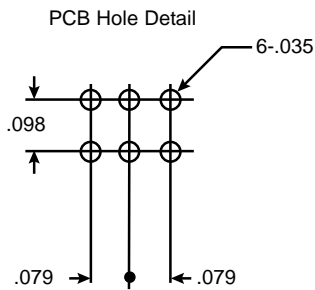
**(800) 346-6873**



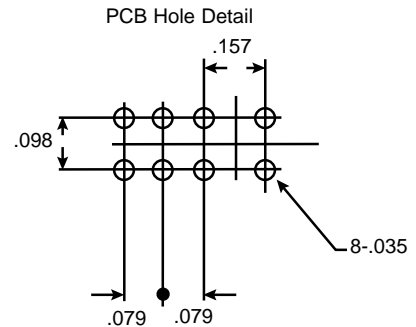
102-1401  
Shown



102-1401



102-1402



**Specifications:**

- Rating: .3A @ 30VDC
- Insulation resistance: > 500VDC 100MΩ
- Withstand voltage: 500VAC for 1 minute
- Contact resistance: < 30mΩ
- Soldering temperature: 255°C max. 5 sec.
- Mechanical life: 30,000 cycles
- Electrical life: 10,000 cycles
- Ambient temperature used: -20°C to +70°C
- Ambient humidity used: < 85% RH
- Operating force: 200 ± 150gf
- 102-1401: 2P2T type on-on
- 102-1402: 2P2T type on-none-on

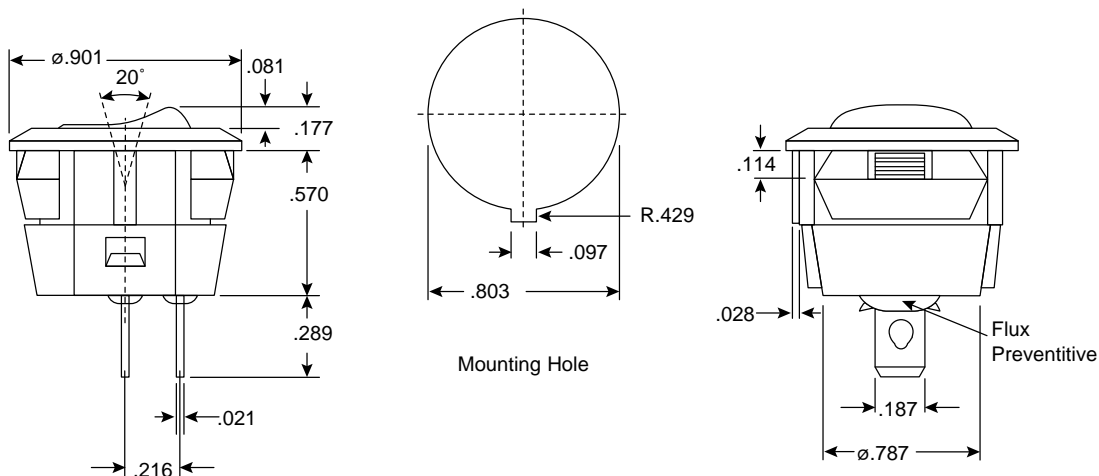
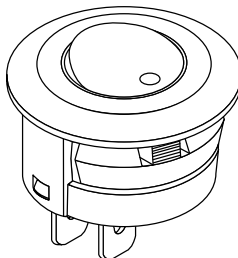
Your source for quality electronics. Toll-free full service

**(800) 346-6873**





## Mountain Switch



Dimensions (In.)

### Specifications:

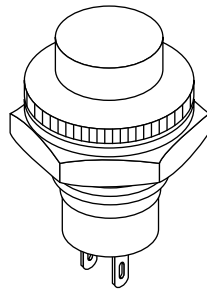
- Type: SPST
- Circuit: Off-On
- Insulation resistance:  $100M\Omega$  (min.) @ 500VDC
- Breakdown voltage: 1500VAC for 1 minute
- Rating: 5A @ 125VAC
- Terminals: .187 inch faston

Mouser Stock No.	Button Color	Frame Color
10DS059KG-B	Black	Gold
10DS059KG-R	Red	Gold
10DS059KC-B	Black	Silver
10DS059KC-R	Red	Silver

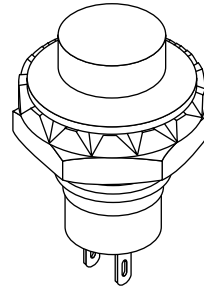
Your source for quality electronics. Toll-free full service

## (800) 346-6873

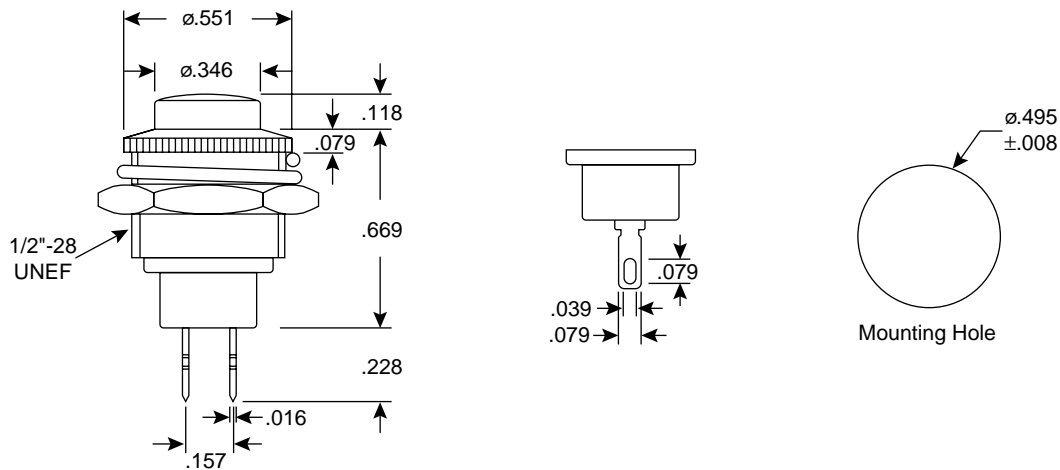
<http://www.mouser.com>



103-50210  
103-50211



103-50220  
103-50221

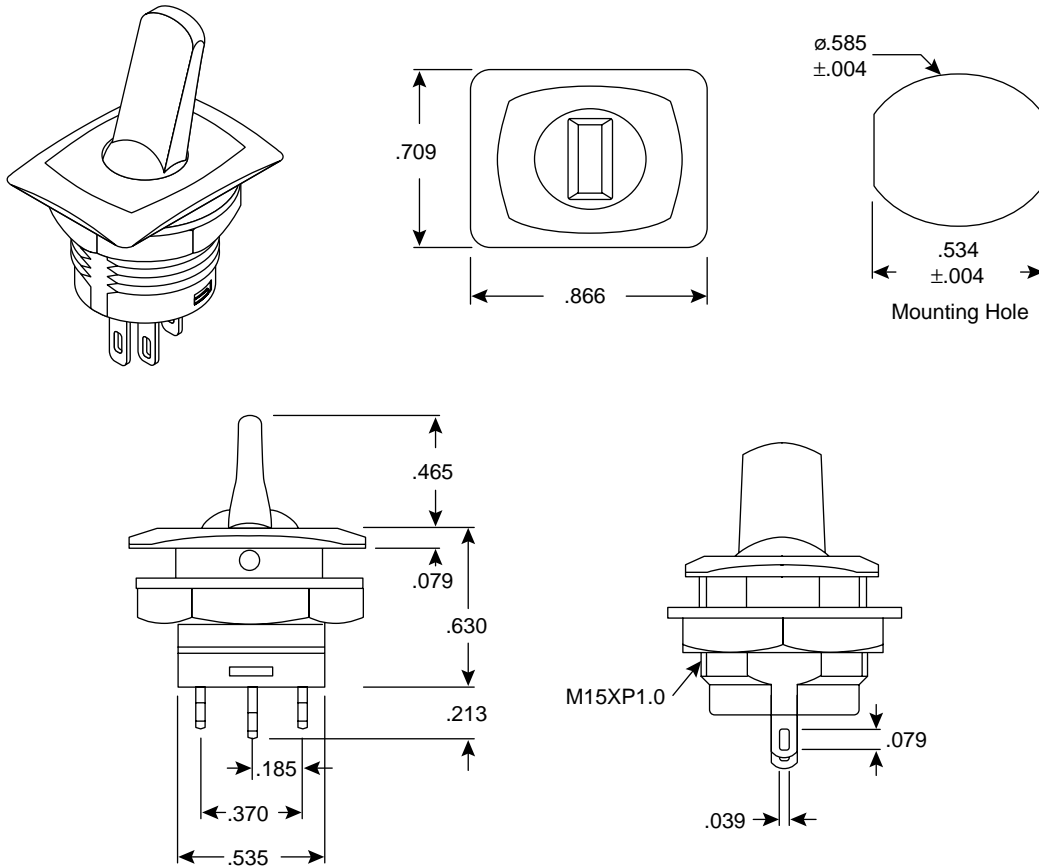


**Dimensions (In.)**

**Specifications:**

- Switching function: 2P SPST Off-(On)
- Rating: 3.0A / 125VAC, 1.5A / 250VAC
- Contact resistance: 50mΩ max.
- Insulation resistance: 500VDC 100MΩ min.
- Voltage breakdown: 1000VAC for 1 minute
- Terminals: solder

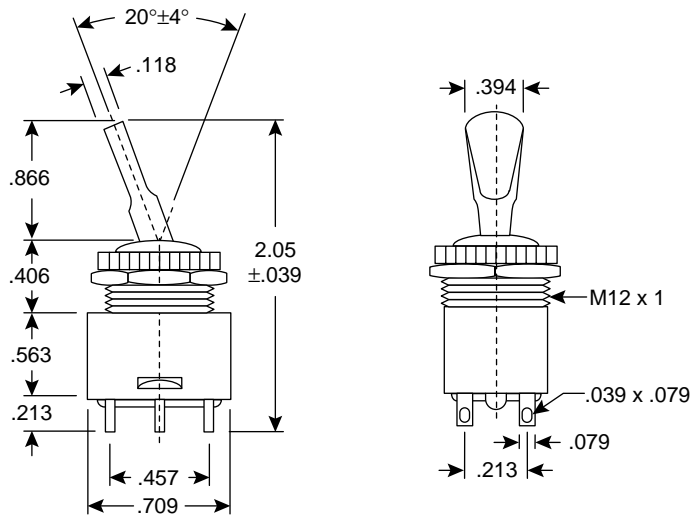
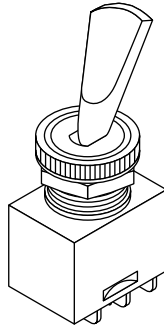
Mouser Stock No.	Color	
	Frame	Button
103-50210	Black	Black
103-50211	Black	Red
103-50220	Metal	Black
103-50221	Metal	Red



**Dimensions (In.)**

**Specifications:**

- Switching function: 3P SPDT On-On
- Rating: 6A / 125VAC, 3A / 250VAC
- Contact resistance: 50m $\Omega$  max.
- Insulation resistance: 500VDC 100M $\Omega$  min.
- Voltage breakdown: 1500VAC for 1 minute
- Terminals: solder



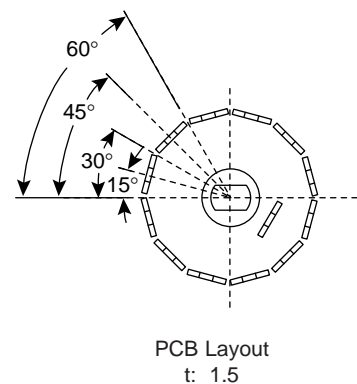
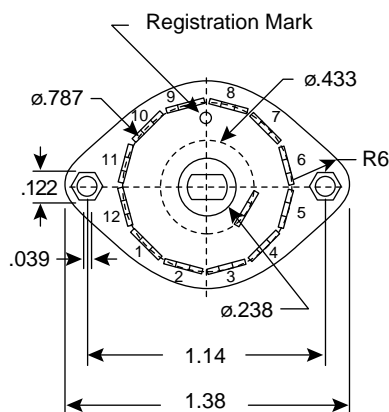
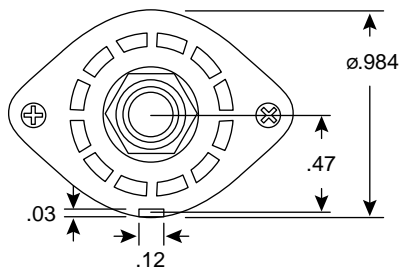
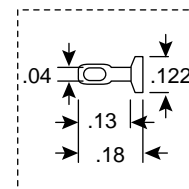
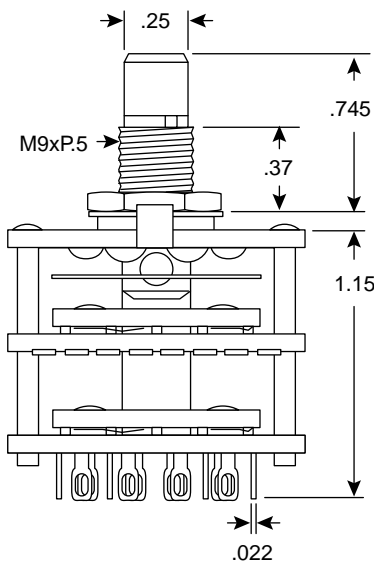
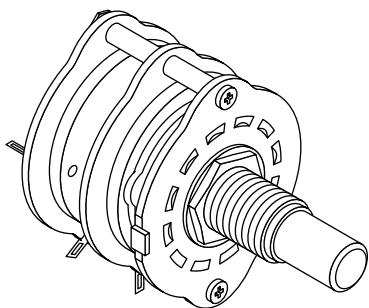
**Dimensions (In.)**  
(except where noted)

**Specifications:**

- Type: plastic lever toggle
- Rating: 6A 125VAC
- Contact resistance: 20mΩ max.
- Insulation resistance: 500VDC .100MΩ min.
- Voltage breakdown: 1000VAC for 1 minute
- Color: red, black
- Mounting hole:  $\varnothing$ .480"

Mouser Stock No.	Type	Circuit	Terminal
10TL020	SPST	ON-OFF	2P
10TL021	SPDT	ON-ON	3P
10TL022	DPDT	ON-ON	6P

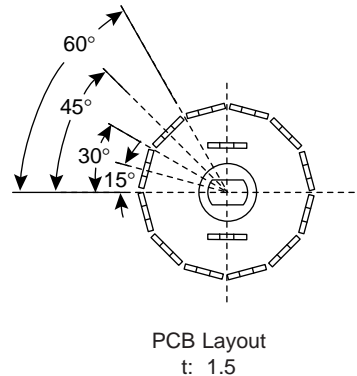
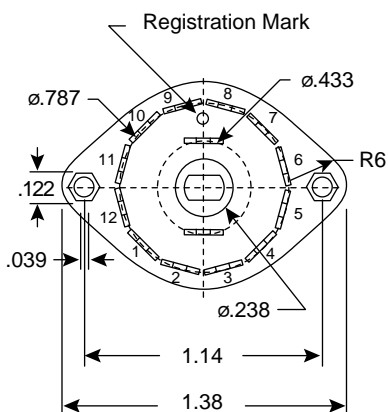
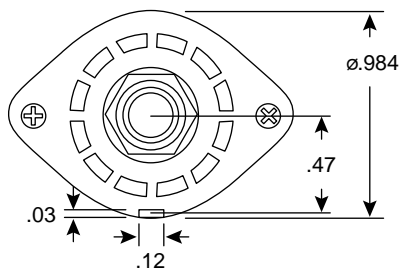
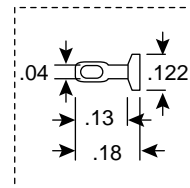
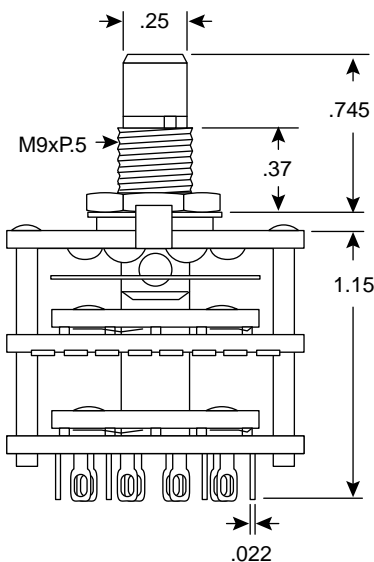
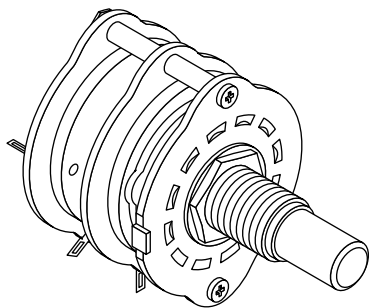




### Dimensions (In.)

#### Specifications:

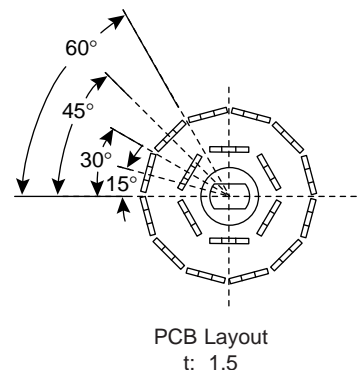
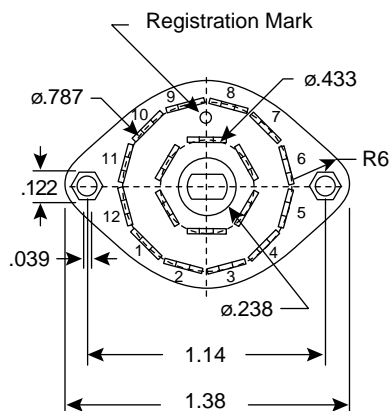
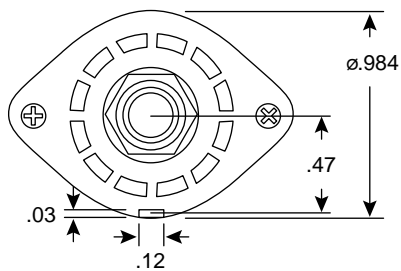
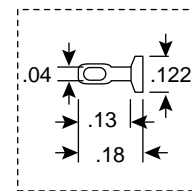
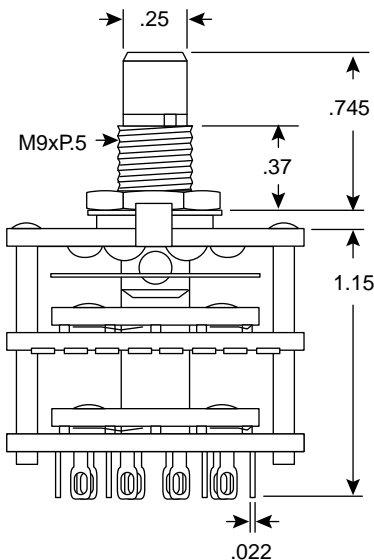
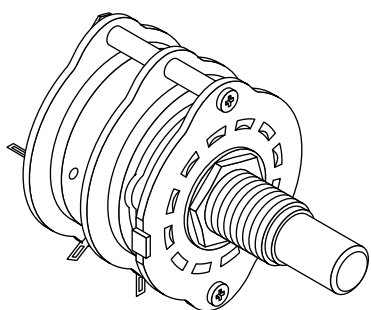
- Type: PC mount; shorting contact (make before break)
- Poles: 2
- Positions: 7 (10WR027), 12 (10WR212)
- Rating: 0.3A @ 125VAC
- Contact resistance: 30mΩ max. @ 1A
- Insulation resistance: 10MΩ @ 500VDC
- Withstand voltage: 500VDC for 1 minute
- Rotation torque: 1~3KG/cm
- Hardware included: 1 hexagon nut & 1 washer
- Shaft: 1/4"



### Dimensions (In.)

#### Specifications:

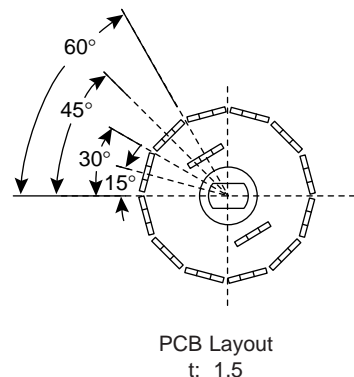
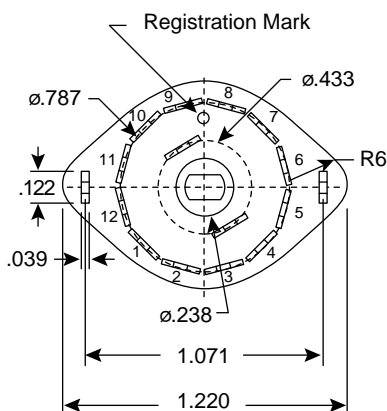
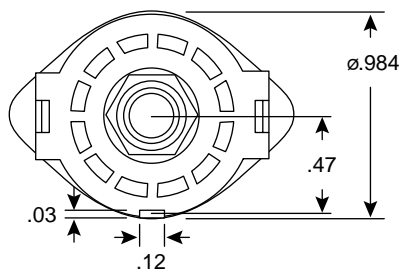
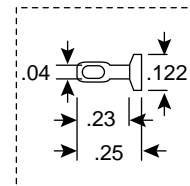
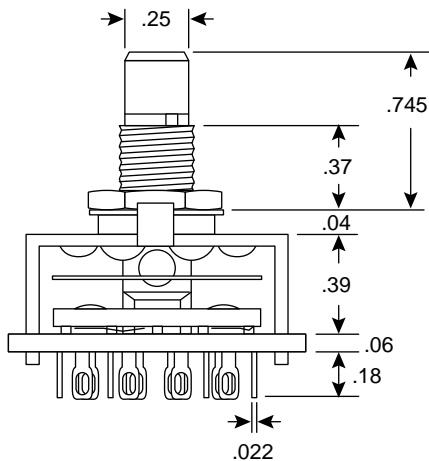
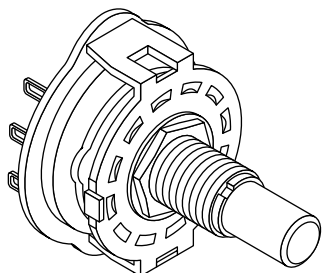
- Type: PC mount; shorting contact (make before break)
- Poles: 4
- Positions: 5 (10WR045), 6 (10WR046)
- Rating: 0.3A @ 125VAC
- Contact resistance: 30m $\Omega$  max. @ 1A
- Insulation resistance: 10M $\Omega$  @ 500VDC
- Withstand voltage: 500VDC for 1 minute
- Rotation torque: 1~3KG/cm
- Hardware included: 1 hexagon nut & 1 washer
- Shaft: 1/4"



**Dimensions (In.)**

**Specifications:**

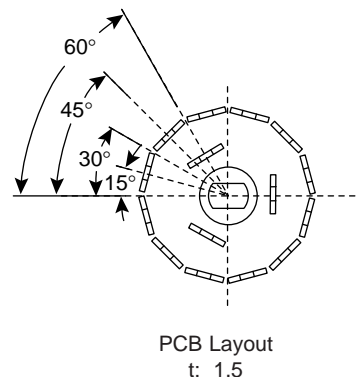
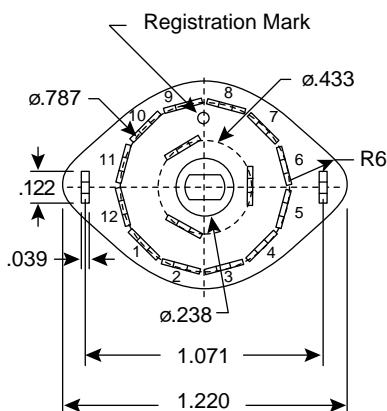
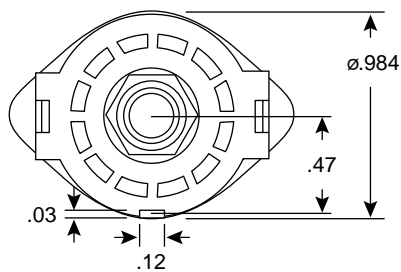
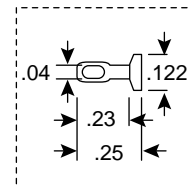
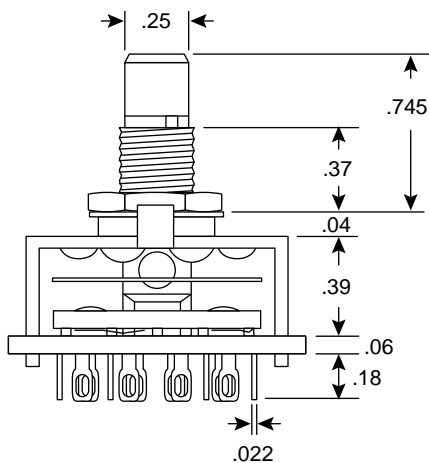
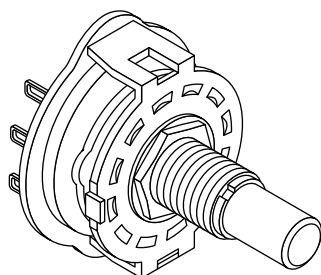
- Type: PC mount; shorting contact (make before break)
- Poles: 12
- Positions: 12
- Rating: 0.3A @ 125VAC
- Contact resistance: 30mΩ max. @ 1A
- Insulation resistance: 10MΩ @ 500VDC
- Withstand voltage: 500VDC for 1 minute
- Rotation torque: 1~3KG/cm
- Hardware included: 1 hexagon nut & 1 washer
- Shaft: 1/4"



### Dimensions (In.)

#### Specifications:

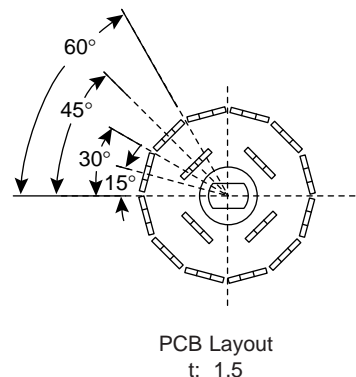
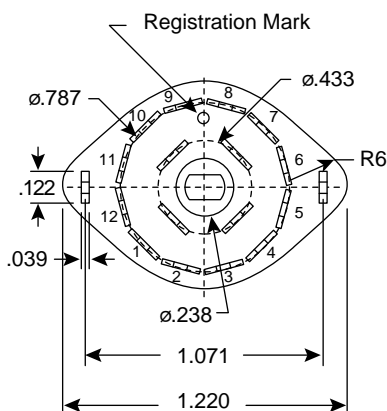
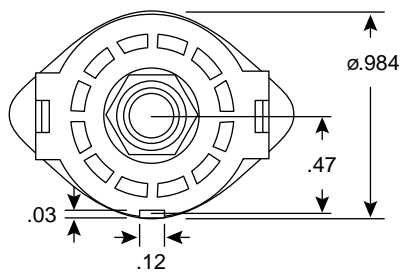
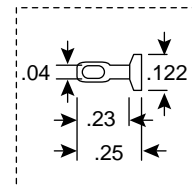
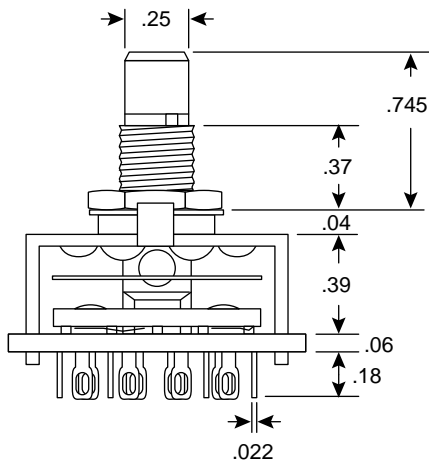
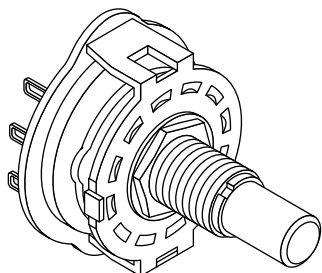
- Type: non-shorting contact (break before make)
- Poles: 2
- Positions: 5 (10YX025), 6 (10YX026)
- Rating: 0.3A @ 125VAC
- Contact resistance: 30mΩ max. @ 1A
- Insulation resistance: 10MΩ @ 500VDC min.
- Withstand voltage: 500VAC for 1 minute
- Rotation torque: 1~3KG/cm
- Hardware included: 1 hexagon nut & 2 washers
- Shaft: 1/4"
- Thread size: 3/8- 32NEF



**Dimensions (In.)**

**Specifications:**

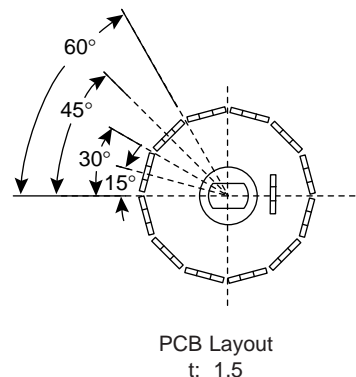
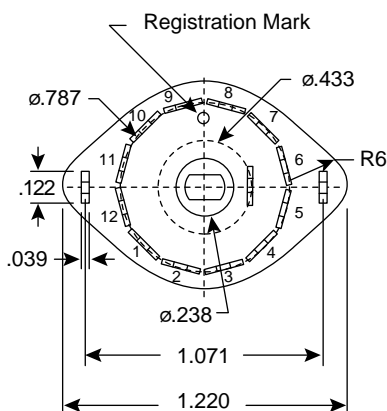
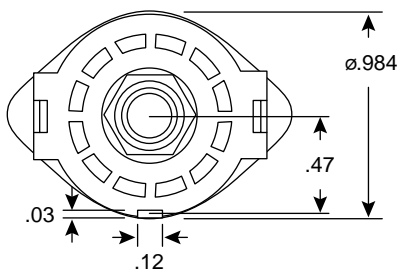
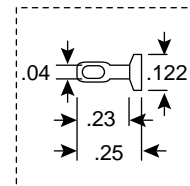
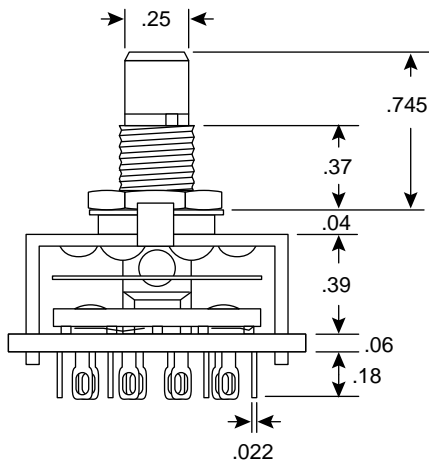
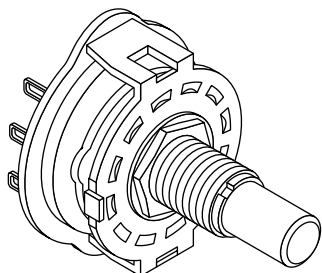
- Type: non-shorting contact (break before make)
- Poles: 3
- Positions: 4
- Rating: 0.3A @ 125VAC
- Contact resistance: 30mΩ max. @ 1A
- Insulation resistance: 10MΩ @ 500VDC min.
- Withstand voltage: 500VAC for 1 minute
- Rotation torque: 1~3KG/cm
- Hardware included: 1 hexagon nut & 2 washers
- Shaft: 1/4"
- Thread size: 3/8- 32NEF



**Dimensions (In.)**

**Specifications:**

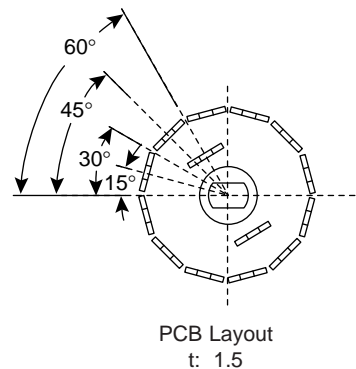
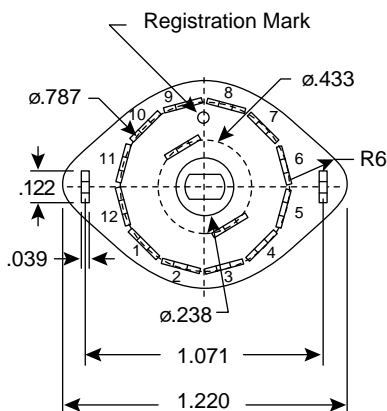
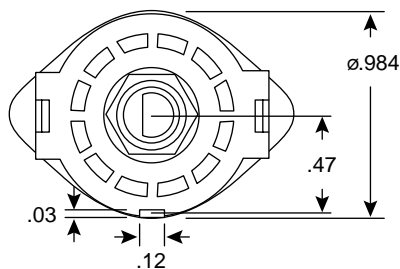
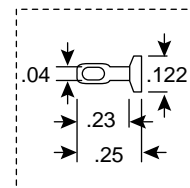
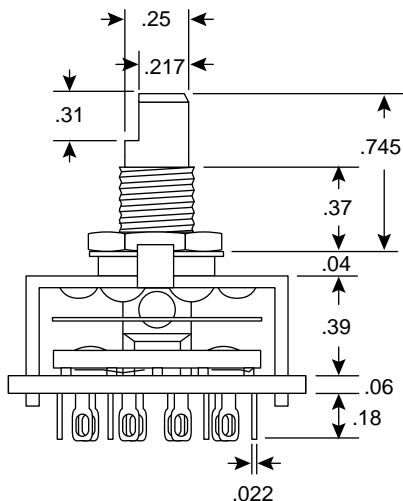
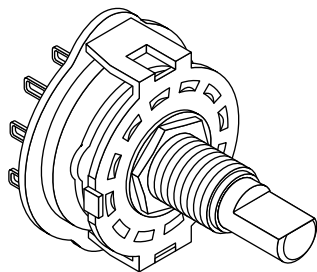
- Type: non-shorting contact (break before make)
- Poles: 4
- Positions: 3
- Rating: 0.3A @ 125VAC
- Contact resistance: 30mΩ max. @ 1A
- Insulation resistance: 10MΩ @ 500VDC min.
- Withstand voltage: 500VAC for 1 minute
- Rotation torque: 1~3KG/cm
- Hardware included: 1 hexagon nut & 2 washers
- Shaft: 1/4"
- Thread size: 3/8- 32NEF



**Dimensions (In.)**

**Specifications:**

- Type: non-shorting contact (break before make)
- Poles: 1
- Positions: 12
- Rating: 0.3A @ 125VAC
- Contact resistance: 30mΩ max. @ 1A
- Insulation resistance: 10MΩ @ 500VDC min.
- Withstand voltage: 500VAC for 1 minute
- Rotation torque: 1~3KG/cm
- Hardware included: 1 hexagon nut & 2 washers
- Shaft: 1/4"
- Thread size: 3/8- 32NEF

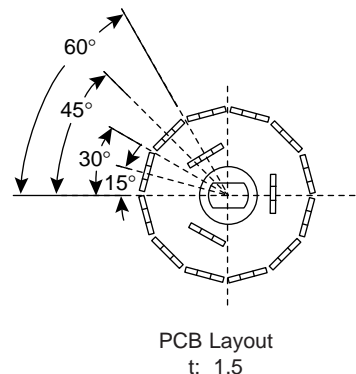
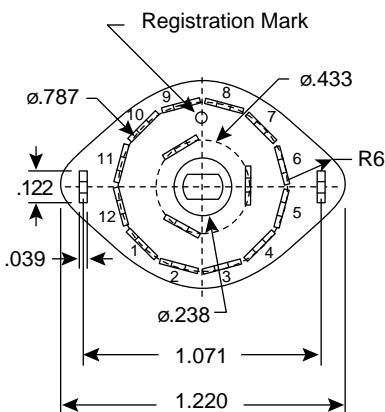
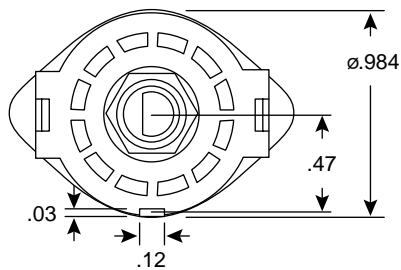
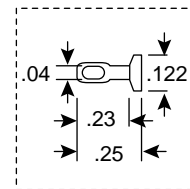
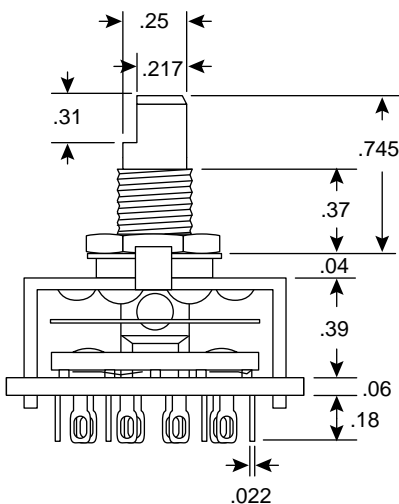
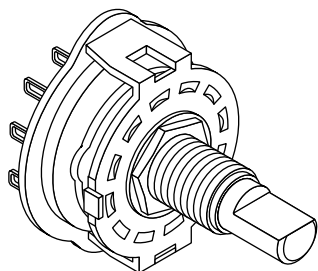


### Dimensions (In.)

#### Specifications:

- Type: non-shorting contact (break before make)
- Poles: 2
- Positions: 5 (10YD025), 6 (10YD026)
- Rating: 0.3A @ 125VAC
- Contact resistance: 30mΩ max. @ 1A
- Insulation resistance: 10MΩ @ 500VDC min.
- Withstand voltage: 500VAC for 1 minute
- Rotation torque: 1~3KG/cm
- Hardware included: 1 hexagon nut & 2 washers
- Shaft: 1/4"
- Thread size: 3/8- 32NEF

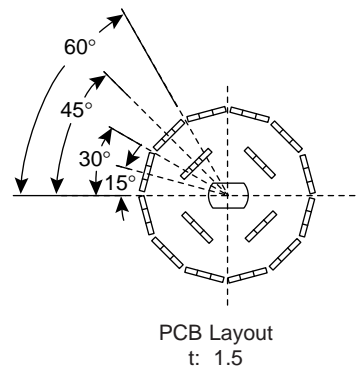
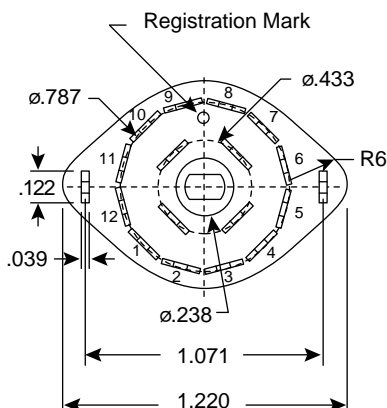
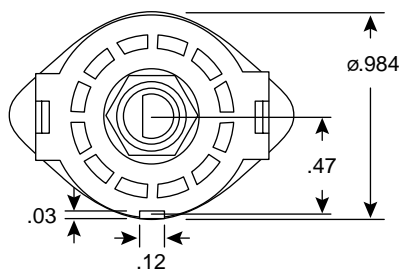
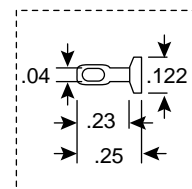
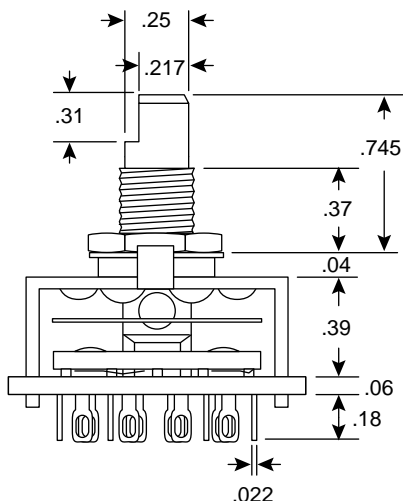
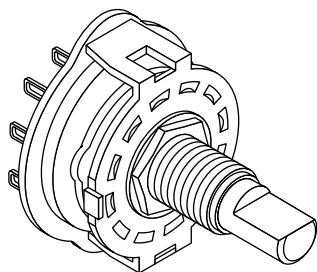




**Dimensions (In.)**

**Specifications:**

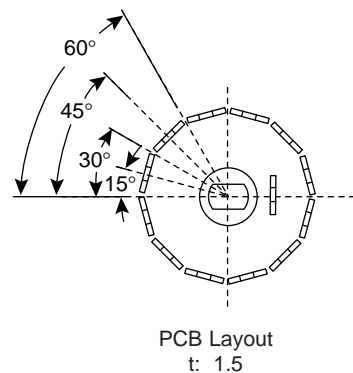
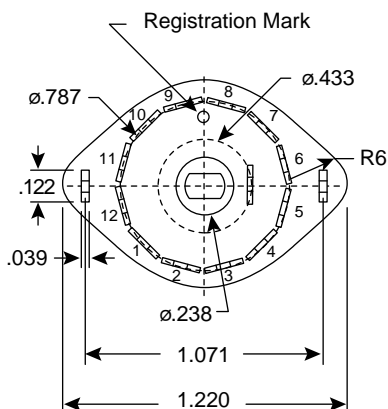
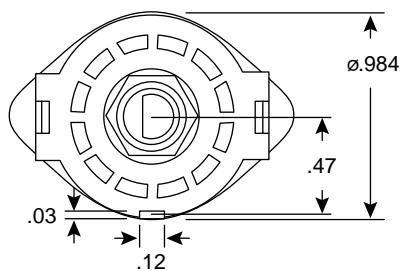
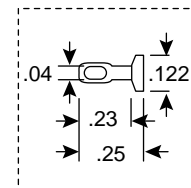
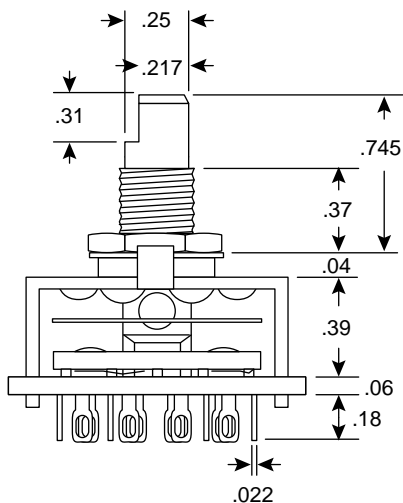
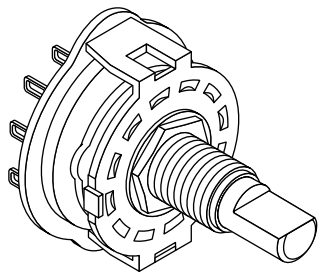
- Type: non-shorting contact (break before make)
- Poles: 3
- Positions: 4
- Rating: 0.3A @ 125VAC
- Contact resistance: 30mΩ max. @ 1A
- Insulation resistance: 10MΩ @ 500VDC min.
- Withstand voltage: 500VAC for 1 minute
- Rotation torque: 1~3KG/cm
- Hardware included: 1 hexagon nut & 2 washers
- Shaft: 1/4"
- Thread size: 3/8- 32NEF



**Dimensions (In.)**

**Specifications:**

- Type: non-shorting contact (break before make)
- Poles: 4
- Positions: 3
- Rating: 0.3A @ 125VAC
- Contact resistance: 30mΩ max. @ 1A
- Insulation resistance: 10MΩ @ 500VDC min.
- Withstand voltage: 500VAC for 1 minute
- Rotation torque: 1~3KG/cm
- Hardware included: 1 hexagon nut & 2 washers
- Shaft: 1/4"
- Thread size: 3/8- 32NEF

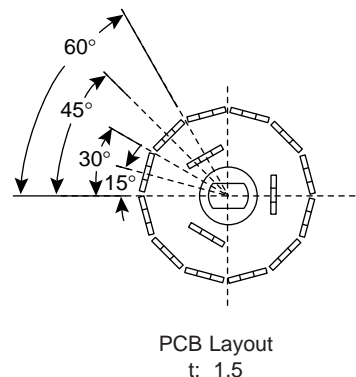
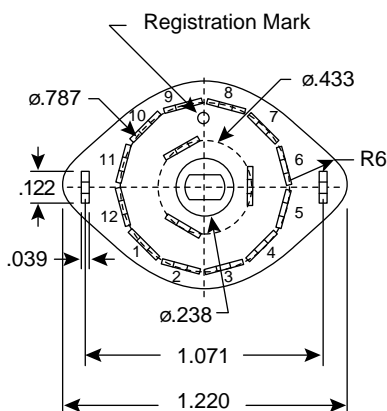
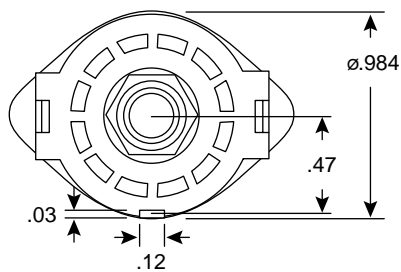
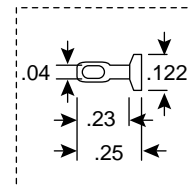
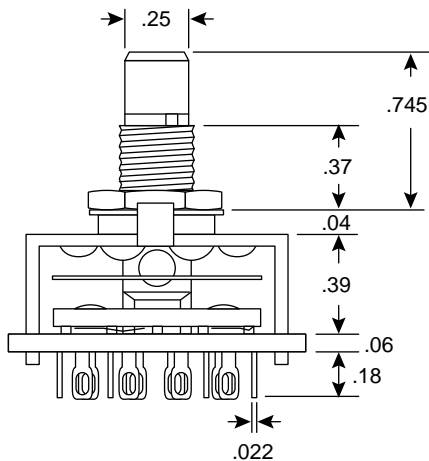
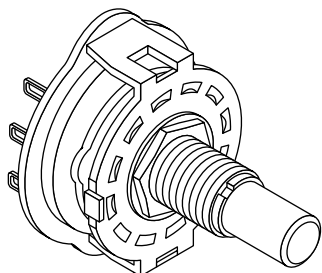


**Dimensions (In.)**

**Specifications:**

- Type: non-shorting contact (break before make)
- Poles: 1
- Positions: 12
- Rating: 0.3A @ 125VAC
- Contact resistance: 30mΩ max. @ 1A
- Insulation resistance: 10MΩ @ 500VDC min.
- Withstand voltage: 500VAC for 1 minute
- Rotation torque: 1~3KG/cm
- Hardware included: 1 hexagon nut & 2 washers
- Shaft: 1/4"
- Thread size: 3/8- 32NEF

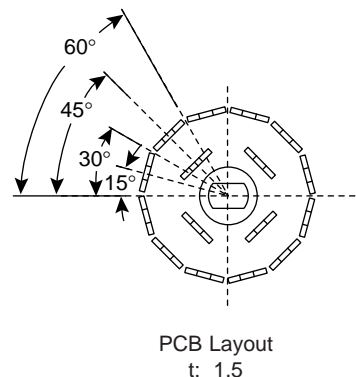
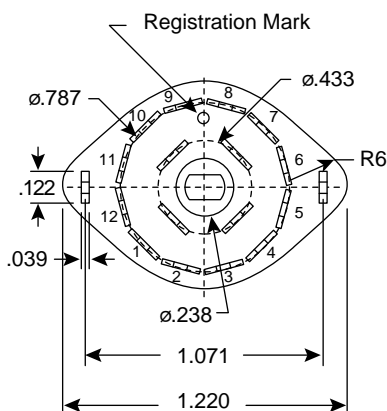
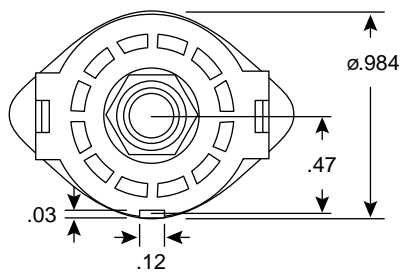
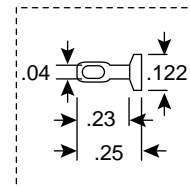
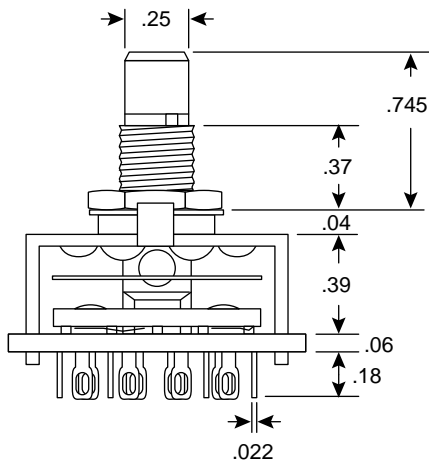
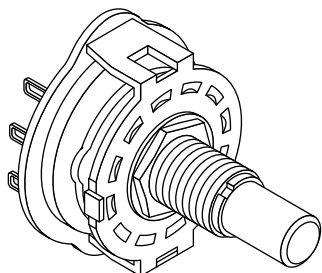




### Dimensions (In.)

#### Specifications:

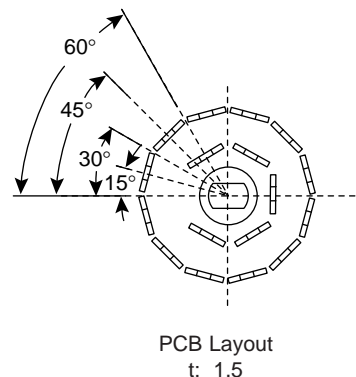
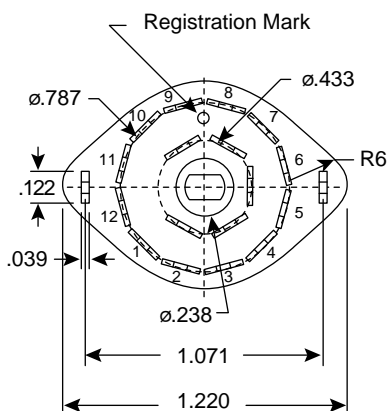
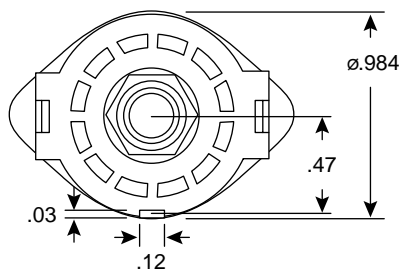
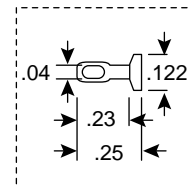
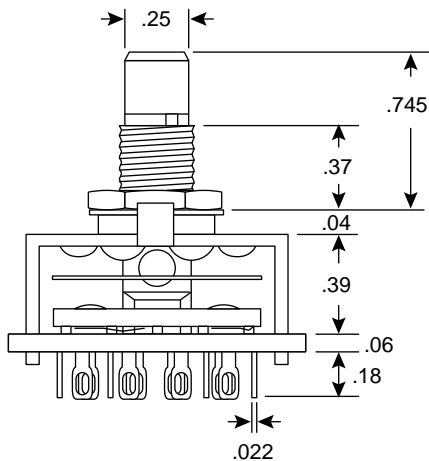
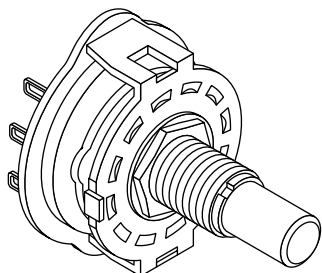
- Type: shorting contact (make before break)
- Poles: 3
- Positions: 3 (10WW033), 4 (10WW034)
- Rating: 0.3A @ 125VAC
- Contact resistance: 30m $\Omega$  max. @ 1A
- Insulation resistance: 10M $\Omega$  @ 500VDC min.
- Withstand voltage: 500VAC for 1 minute
- Rotation torque: 1~3KG/cm
- Hardware included: 1 hexagon nut & 2 washers
- Shaft: 1/4"
- Thread size: 3/8- 32NEF



### Dimensions (In.)

#### Specifications:

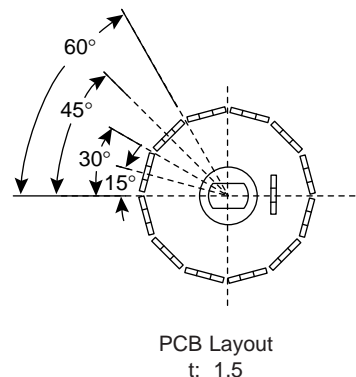
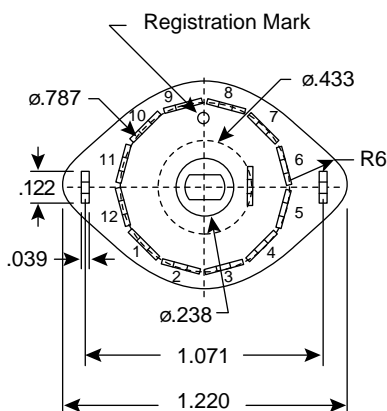
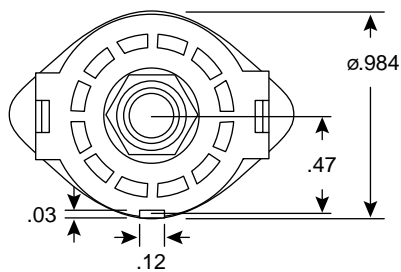
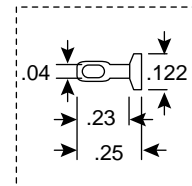
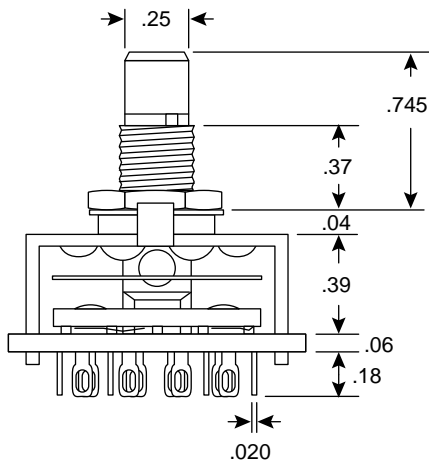
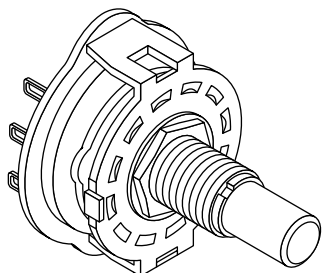
- Type: shorting contact (make before break)
- Poles: 4
- Positions: 2 (10WW042), 3 (10WW043)
- Rating: 0.3A @ 125VAC
- Contact resistance: 30mΩ max. @ 1A
- Insulation resistance: 10MΩ @ 500VDC min.
- Withstand voltage: 500VAC for 1 minute
- Rotation torque: 1~3KG/cm
- Hardware included: 1 hexagon nut & 2 washers
- Shaft: 1/4"
- Thread size: 3/8- 32NEF



**Dimensions (In.)**

**Specifications:**

- Type: shorting contact (make before break)
- Poles: 5
- Positions: 2
- Rating: 0.3A @ 125VAC
- Contact resistance: 30mΩ max. @ 1A
- Insulation resistance: 10MΩ @ 500VDC min.
- Withstand voltage: 500VAC for 1 minute
- Rotation torque: 1~3KG/cm
- Hardware included: 1 hexagon nut & 2 washers
- Shaft: 1/4"
- Thread size: 3/8- 32NEF

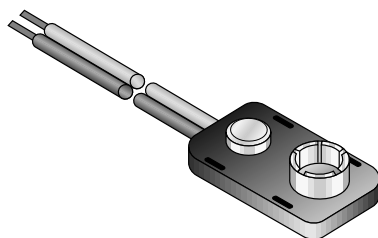


### Dimensions (In.)

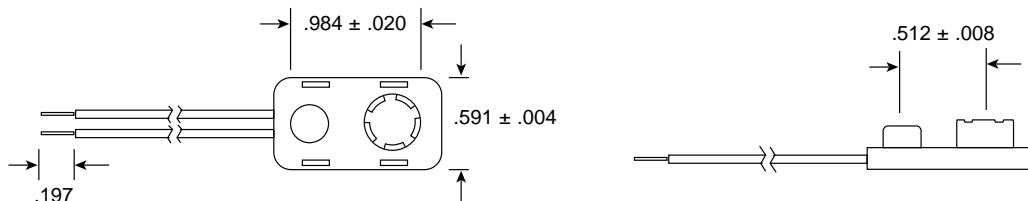
#### Specifications:

- Type: shorting contact (make before break)
- Poles: 1
- Positions: 7 (10WW017), 9 (10WW019), 12 (10WW112)
- Rating: 0.3A @ 125VAC
- Contact resistance: 30m $\Omega$  max. @ 1A
- Insulation resistance: 10M $\Omega$  @ 500VDC min.
- Withstand voltage: 500VAC for 1 minute
- Rotation torque: 1~3KG/cm
- Hardware included: 1 hexagon nut & 2 washers
- Shaft: 1/4"
- Thread size: 3/8- 32NEF





Dimensions (In.)



**Specifications:**

- Contact strength: 3.31 lbs.
- Contact resistance: 25 mΩ @ max 10mA DC
- Contact material: nickel plated brass
- Body material: ABS plastic
- Wire lead: UL 1007 26 AWG
- Wire lead length: 6 inches

Your source for quality electronics. Toll-free full service

**(800) 346-6873**